



# Parts Manual

---

Model Fork Positioner

Serial Number 55E-HS-061

---

**cascade**<sup>®</sup>

**For Technical Assistance call:** 800-227-2233, Fax: 888-329-8207

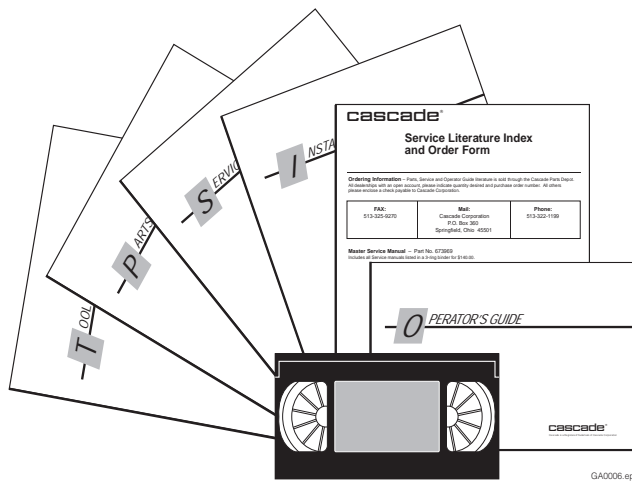
**To Order Parts call:** 888-227-2233, Fax: 888-329-0234

**OR**

**Write:** Cascade Corporation, P.O. Box 20187, Portland, OR 97220

**Internet:** [www.cascorp.com](http://www.cascorp.com)

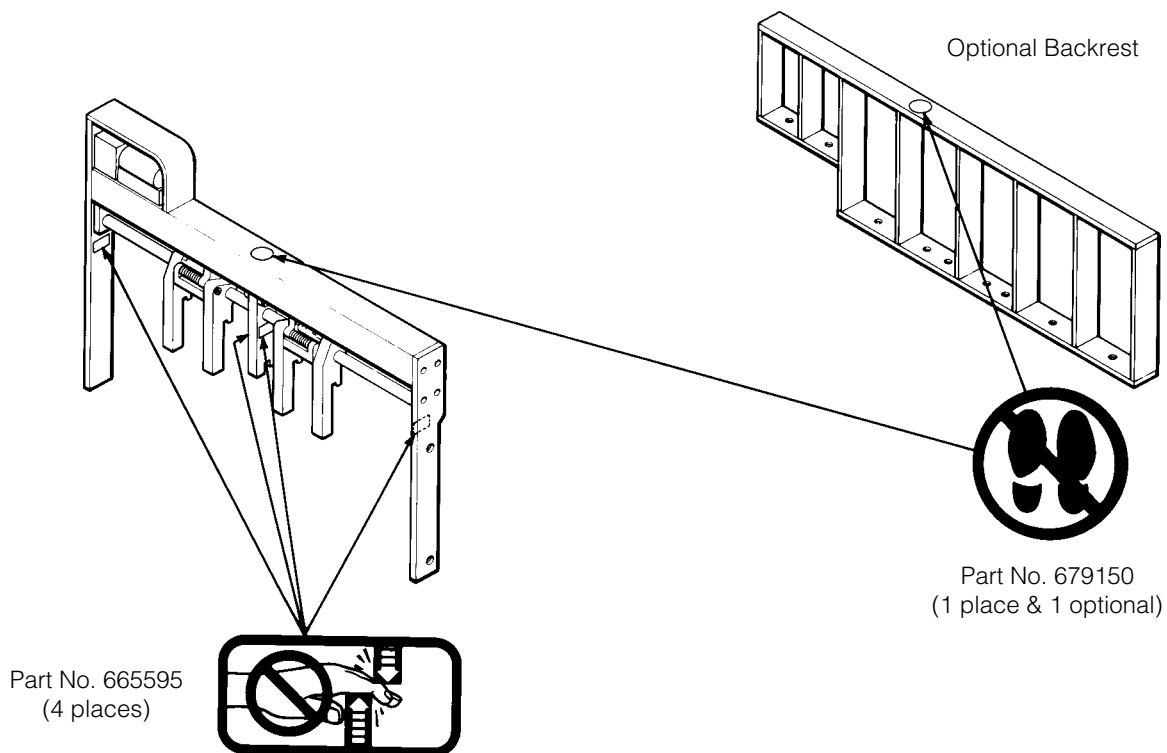
# Publications



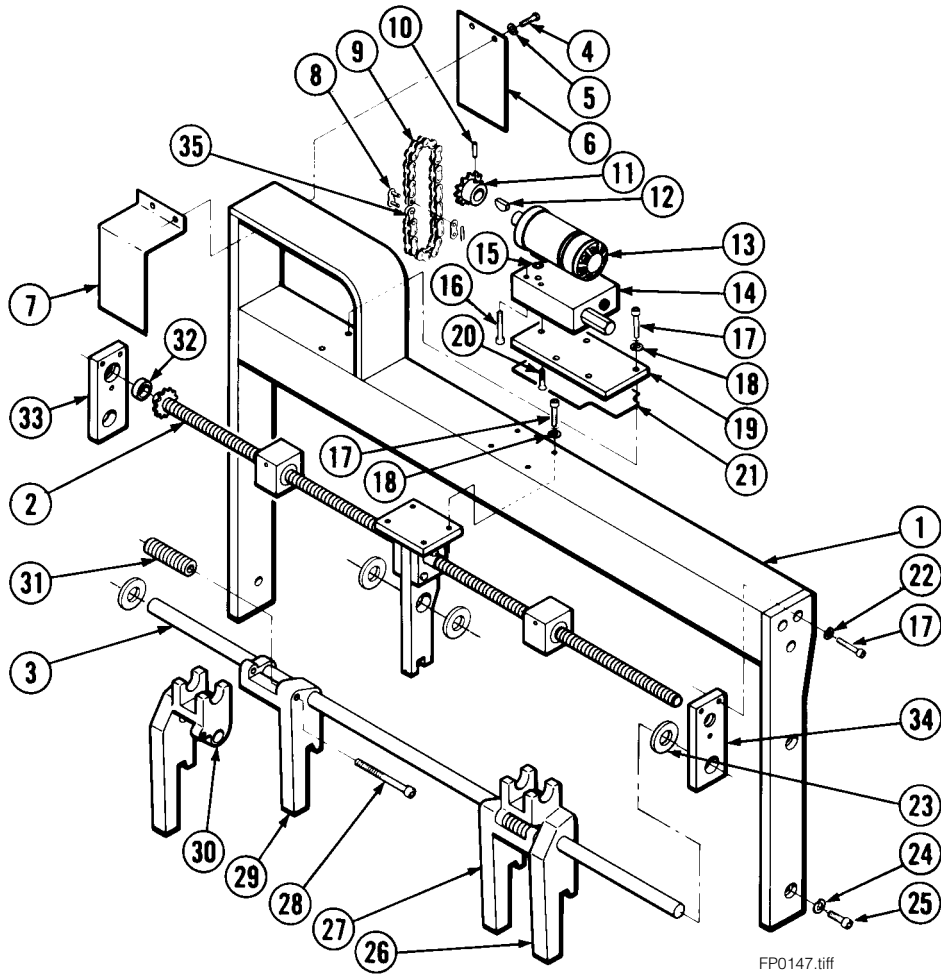
GAC006.eps

PART NO.	DESCRIPTION
206007	Parts Manual
200396	Service Manual
672715	Operators Guide
672358	Installation Instructions
680664	Servicing Cascade Cylinders-VHS
679929	Tool Catalog
673964	Literature Index Order Form

# Decals



# Base Unit



FP0147.tiff

55E							
REF	QTY	PART NO.	DESCRIPTION	REF	QTY	PART NO.	DESCRIPTION
		205387	Fork Positioner, 41 in. ■	18	6	680030	Lockwasher
1	1	205403	Frame, 41 in. ■	19	1	205820	Plate
2	1	205355	Threaded Assembly, 41 in. ■●	20	3	768697	Capscrew
3	1	205437	Bar	21	4	205556	Shim
4	2	767961	Capscrew	22	6	681238	Lockwasher
5	2	686119	Lockwasher, M8	23	4	206099	Rubber Pad
6	1	204548	Guard - Back	24	4	678992	Lockwasher
7	1	205462	Guard - Front	25	4	769574	Capscrew
8	1	206498	Master Link	26	1	205476	Fork Carrier, L. H.
9	1	205360	Chain	27	1	205478	Fork Adjuster, L. H.
10	1	4956	Setscrew	28	2	768836	Capscrew
11	1	205463	Sprocket	29	1	205474	Fork Adjuster, R. H.
12	1	661715	Key	30	1	205472	Fork Carrier, R. H.
13	1	204660	Motor	31	52	202348	Washer, M12
14	1	205470	Valve ▲	32	2	204664	Bushing
15	2	2705	O-Ring	33	1	205381	Retainer, R. H.
16	4	607058	Capscrew	34	1	205382	Retainer, L. H.
17	12	767615	Capscrew	35	1	206498	Offset Link

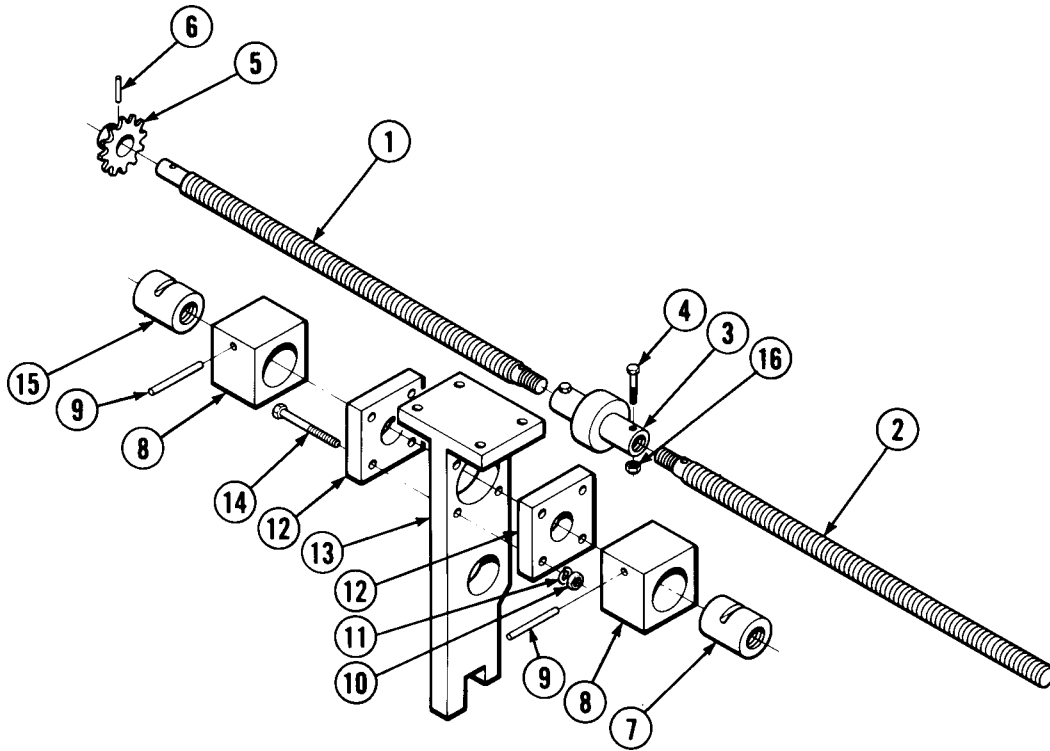
■ Carriage width

● See Threaded Assembly group for parts breakdown.

▲ See Valve group for parts breakdown.

Reference: S-5892, Common Parts 205821.

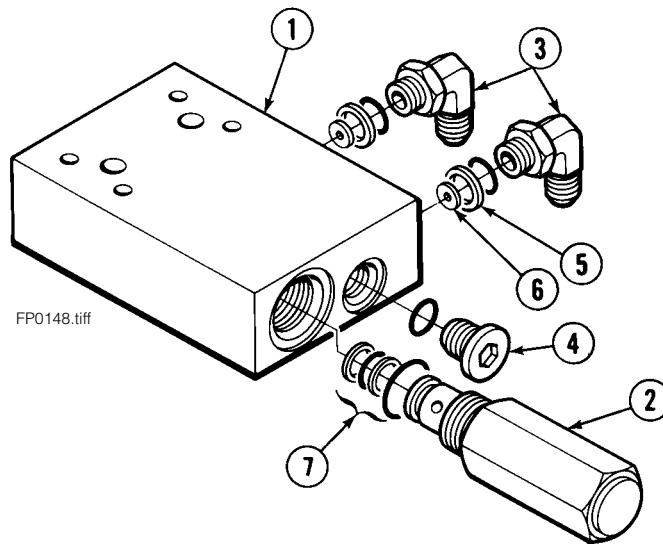
# Threaded Assembly



55E			
REF	QTY	PART NO.	DESCRIPTION
		205355	Threaded Assembly
1	1	204591	Acme Thread - R.H.
2	1	204588	Acme Thread - L.H.
3	1	205466	Coupling
4	2	768788	Capscrew
5	1	205465	Sprocket
6	1	205356	Roll Pin
7	1	205550	Acme Nut - L.H.
8	2	205548	Block Nut
9	2	205079	Roll Pin
10	4	765718	Nut, M6x1.25-CL8
11	4	680217	Lockwasher, M6
12	2	205467	Bearing Plate
13	1	205383	Bracket
14	4	202345	Capscrew, M6x1.00x60-8.8
15	1	205549	Acme nut - R.H.
16	2	204612	Lock Nut

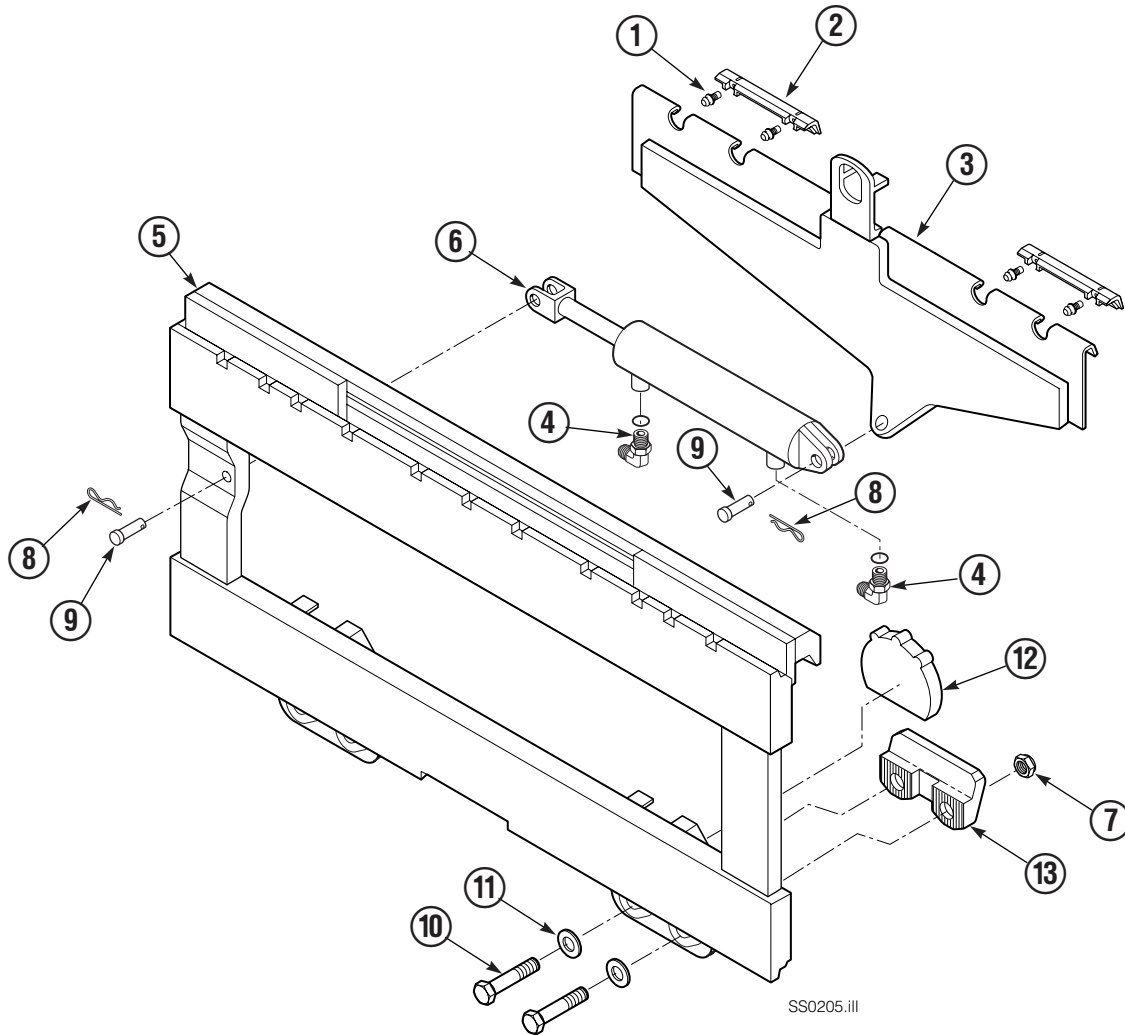
Reference: S-3906

# Valve



55E			
REF	QTY	PART NO.	DESCRIPTION
		205470	Valve Assembly
1	1	205551	Valve Body
2	1	206511	Relief Cartridge
3	2	601676	Fitting, 8-8
4	1	604510	Fitting, 6
5	4	202346	Washer
6	2	206510	Restrictor
7	1	682170	Service Kit

# Sideshifter Group



55D			
REF	QTY	PART NO.	DESCRIPTION
		201595	Sideshift Assembly
1	4	7403	Grease Fitting ▲
2	2	671165	Bearing Segment - Upper ▲
3	1	675852	Anchor Bracket
4	2	601676	Fitting, 6-6
5	1	201678	Faceplate ■
6	1	675548	Cylinder Assembly ●
7	4	553857	Nut
8	2	672726	Cotter Pin
9	2	678525	Clevis Pin
10	4	681047	Capscrew, 5/8 NCx1.625 GR5
11	4	667225	Washer
12	2	675662	Lower Bearing ★
13	2	677160	Lower Hook

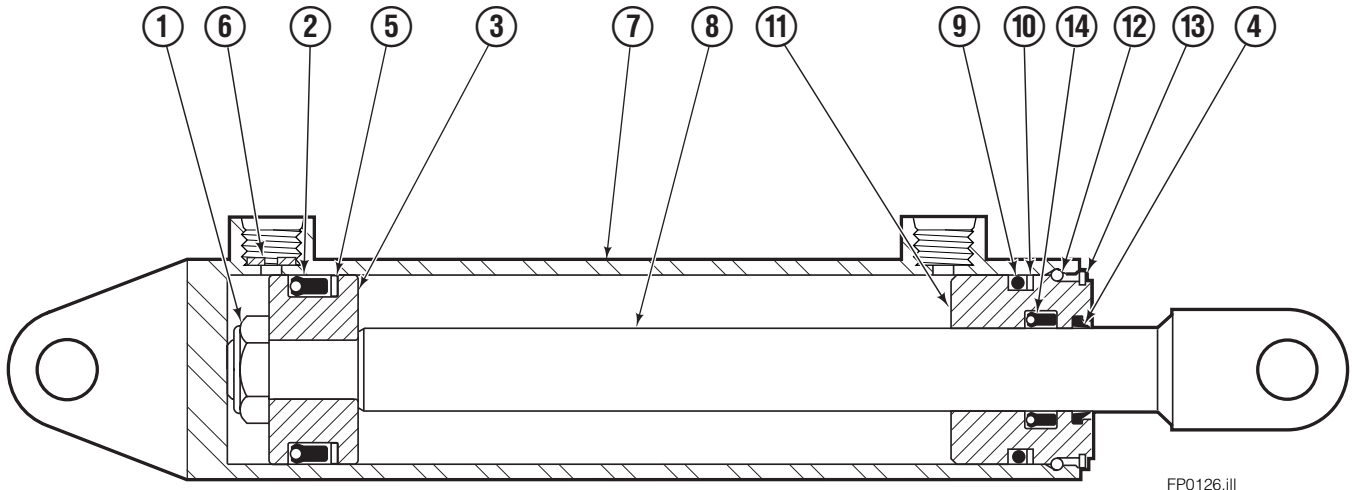
■ If the faceplate needs replacing, your best value is to order the complete sideshifter assembly.

▲ Included in Service Kit 671423.

★ Included in Service Kit 675854.

● See Cylinder page for parts breakdown.

# Sideshift Cylinder ITA Class III

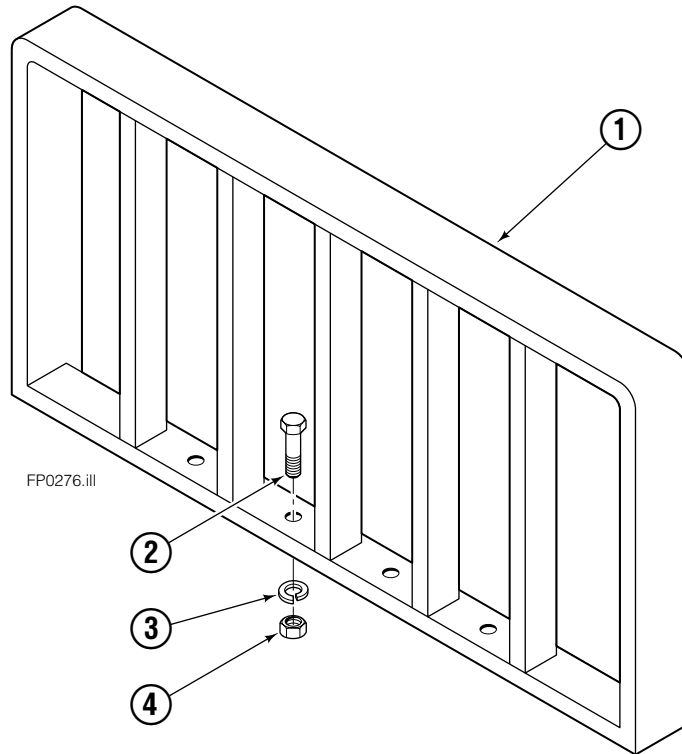


FP0126.ill

55E			
REF	QTY	PART NO.	DESCRIPTION
		675548	Cylinder Assembly
1	1	553857	Nut
■ 2	1	662452	Seal
3	1	553501	Piston
■ 4	1	636851	Wiper
■ 5	1	638247	Back-up Ring
6	1	675550	Washer (orifice .085 in.)
7	1	675549	Shell
8	1	553449	Rod
■ 9	1	2785	O-Ring
■ 10	1	615128	Back-up Ring
11	1	553500	Retainer
12	1	553856	Retaining Ring
13	1	7202	Snap Ring
■ 14	1	641835	Seal
		553861	Service Kit

■ Included in Service Kit 553861.

# Backrest



55E			
REF	QTY	PART NO.	DESCRIPTION
1	1	686029	Backrest – 41" x 48"
2	4	762572	Capscrew, M10 x 40
3	4	681238	Lockwasher, M10
4	4	763023	Nut, M10

Reference: S-3434

**Do you have questions you need answered right now?** Call your nearest Cascade Parts Department.

**Cascade Corporation**  
2501 Sheridan Avenue  
Springfield, OH 45505  
Tel: 888-CASCADE (227-2233)  
FAX: 888-329-0234  
www.cascorp.com

**Cascade Canada Inc.**  
5570 Timberlea Blvd.  
Mississauga, Ontario  
Canada L4W-4M6  
Tel: 905-629-7777  
FAX: 905-629-7785

**Cascade GmbH**  
D-41199 Monchengladbach  
Klosterhofweg 52  
Germany  
Tel: 21-66-602091  
FAX: 21-66-680947

**Cascade Finland**  
01370 Vantas  
Finland  
Tel: 358-0-836-1925  
FAX: 358-0-836-1935

**Cascade N.V.  
European Headquarters**  
P.O. Box 3009  
1300 El Almere  
Damsluisweg 56  
1332 ED Almere  
The Netherlands  
Tel: 31-36-5492911  
FAX: 31-36-5492964

**Cascade N.V.  
Benelux Sales and Service**  
P.O. Box 3009  
1300 El Almere  
Damsluisweg 56  
1332 ED Almere  
The Netherlands  
Tel: 31-36-5492950  
FAX: 31-36-5492974

**Cascade (UK) Ltd.**  
15, Orgreave Crescent  
Dore House Industrial Estate  
Handsworth  
Sheffield S13 9NQ  
England  
Tel: 742-697524  
FAX: 742-695121

**Cascade Scandinavia  
Hydraulik A.B.**  
Muskötgatan 19, E8-9  
S25466 Helsingborg  
Sweden  
Tel: 42-151135  
FAX: 42-152997

**Cascade Norway**  
Østerliveien 37A  
1153 Oslo  
Norway  
Tel: 47-22-743160  
FAX: 47-22-743157

**Cascade France S.A.R.L.**  
11, Rue Jean Charcot  
Zone Industrielle Sud or  
B.P. 22  
91421 Morangis Cedex  
France  
Tel: 1- 64547501  
FAX: 1-9790584

**Cascade Hispania S.A.**  
Avenida De La Fabregada, 7  
Hospitalet De Llobregat  
Barcelona  
Spain  
Tel: 3-335-5158  
FAX: 3-335-4756

**Cascade Japan Ltd.**  
5-5-41,  
Torikai Kami  
Settsu, Osaka  
Japan, 566  
Tel: 81-726-53-3490  
FAX: 81-726-53-3497

**Cascade Korea**  
Room 508, Pum Yang Bldg.  
750-14, Bang Bac-Dong  
Se-Cho Ku, Seoul  
Korea  
Tel: 2599-7131 ext. 512  
FAX: 2533-8089

**HYCO-Cascade Pty. Ltd.**  
1445 Ipswich Road  
Rocklea,  
Queensland 4107  
Australia  
Tel: 3-274-2722  
FAX: 3-274-3456

**HYCO-Cascade (NZ) Ltd.**  
15 Ra Ora Drive, East Tamaki  
P.O. Box 38-440  
Howick, Auckland  
New Zealand  
Tel: 9-273-9136  
FAX: 9-273-9137

**Cascade (Africa) Pty. Ltd.**  
P.O. Box 625, Isando 1600  
60A Steel Road  
Sparton, Kempton Park  
South Africa  
Tel: 975-9240  
FAX: 394-1147

**Cascade-Xiamen**  
Wanshan No. 1 Workshop  
Huli Road  
Xiamen 361006  
Fujian, PRC  
Tel: 592-562-4600  
FAX: 592-562-4671

**Cascade (Singapore)  
Trading Co.**  
Four Seasons Park  
Autumn Block - Apt. 1802  
12 Cascaden Walk  
Singapore  
Tel: 65-834-1935  
FAX: 65-834-1936

