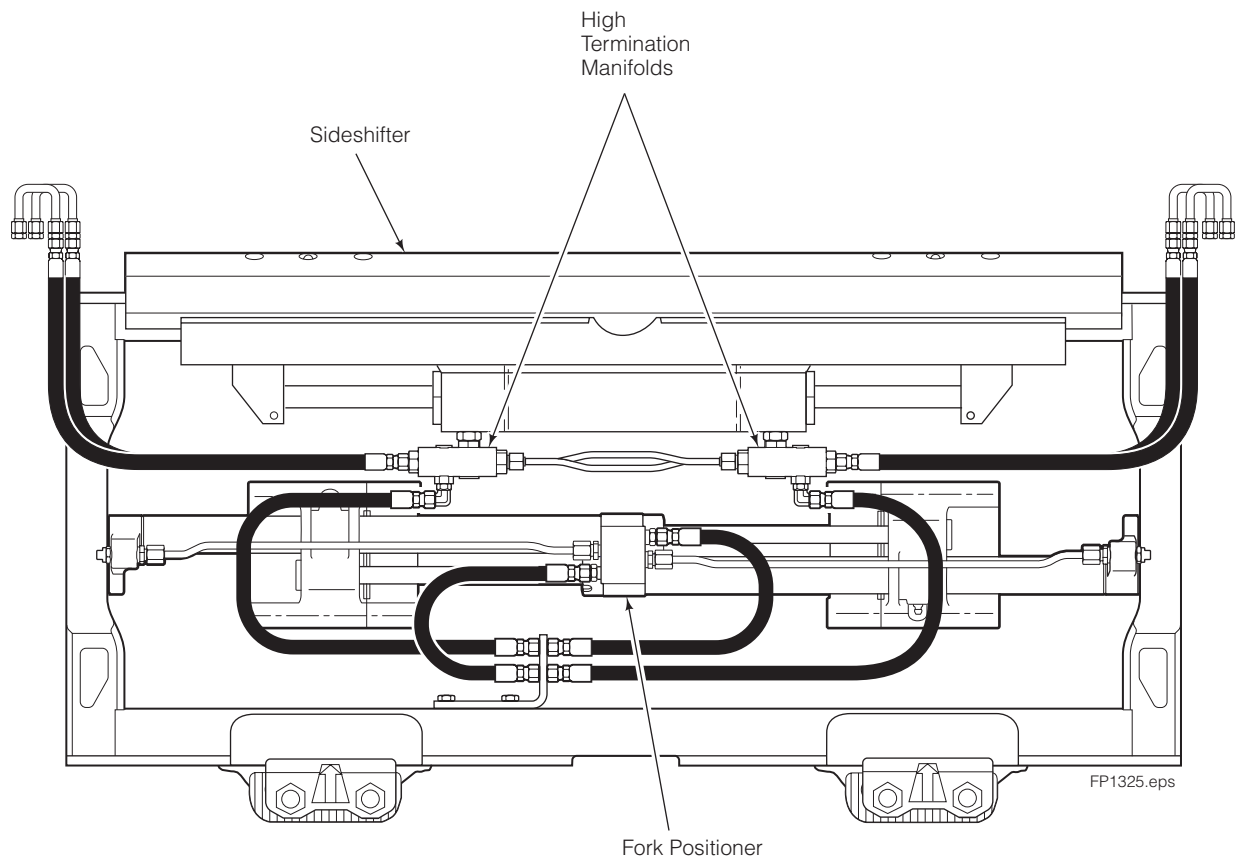




Installation Instructions

K-Series Fork Positioner High Termination Kits 6095242 and 6095318

This sheet provides installation instructions and replacement parts list for Cascade High Termination Kits 6095242 and 6095318. The kits provide high termination points for the attachment's sidsifter and fork positioner functions to match truck high termination points. The kits can be configured to have sidsift terminate on the left hand or right hand side.



cascade[®]
corporation

For Technical Support . . .

Call: 1-800-227-2233 Fax: 1-888-329-8207

Internet: www.cascorp.com

Write: Cascade Corporation, PO Box 20187, Portland, OR 97294

To Order Parts . . .

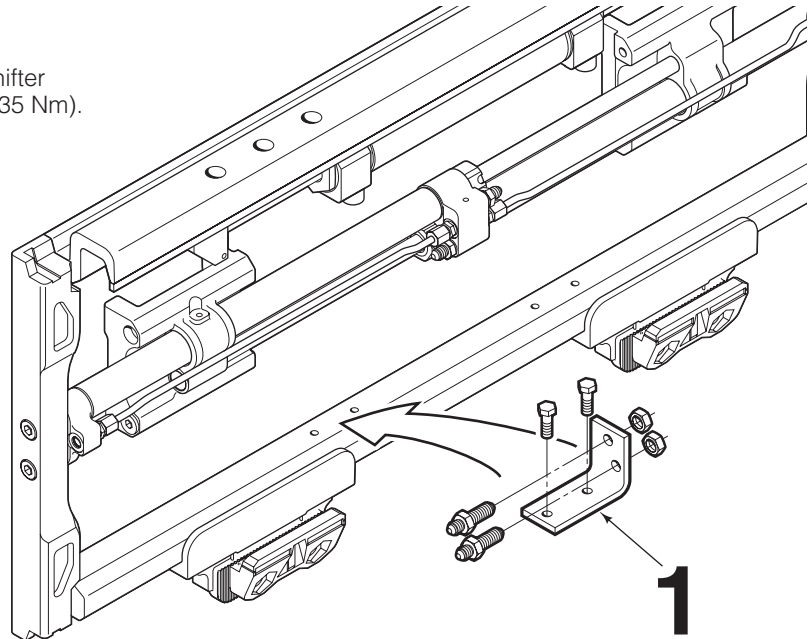
Call: 1-888-227-2233 Fax: 1-888-329-0234

Internet: www.cascorp.com

Write: Cascade Corporation, 2501 Sheridan Ave., Springfield, OH 45505

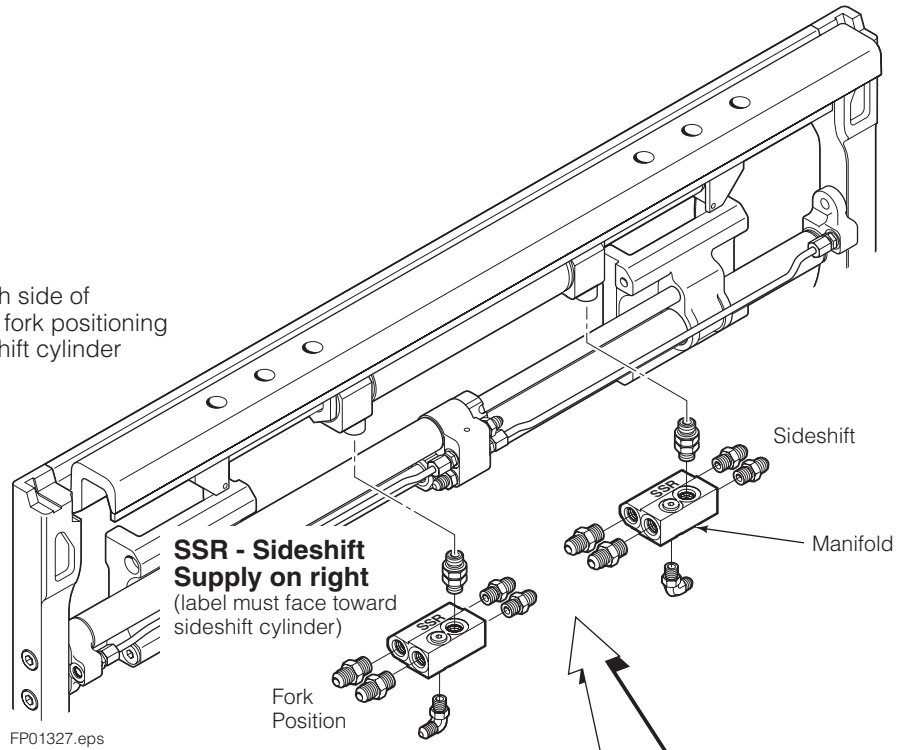
Component Installation

- 1 55K Attachments** – Mount the bracket to the sideshifter lower carriage bar. Tighten capscrew to 25 ft.-lbs. (35 Nm).

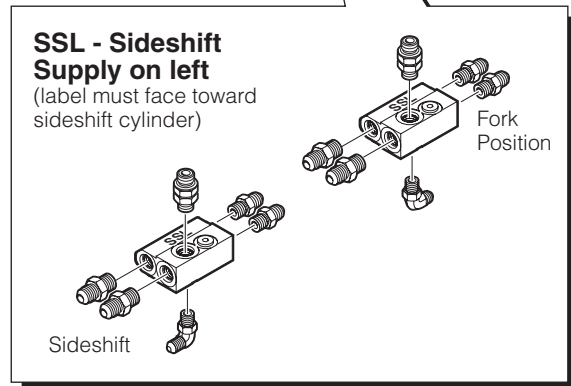


FP01326.eps

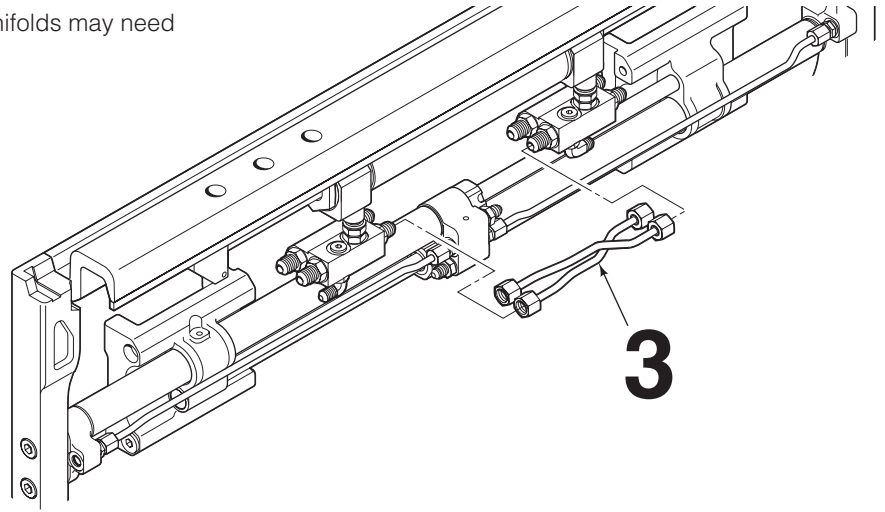
- 2** Install fittings to manifolds. Determine which side of attachment the truck sideshifter supply and fork positioning supply will be on. Install manifolds to sideshift cylinder ports.



FP01327.eps

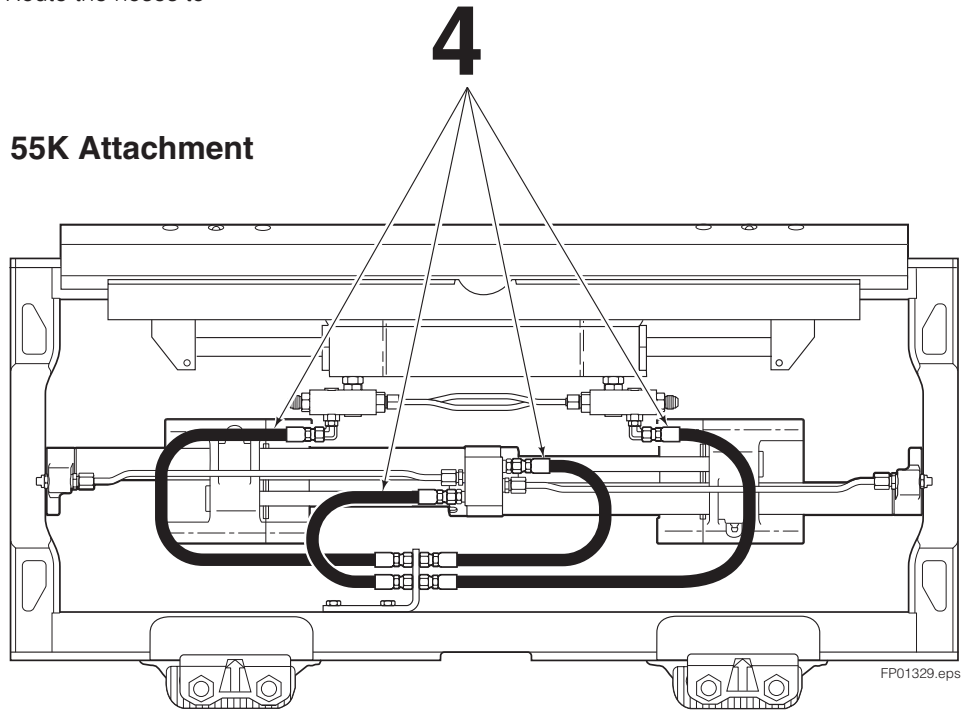


- 3** Install center tubes. One or both of the manifolds may need to be pivoted for installation.

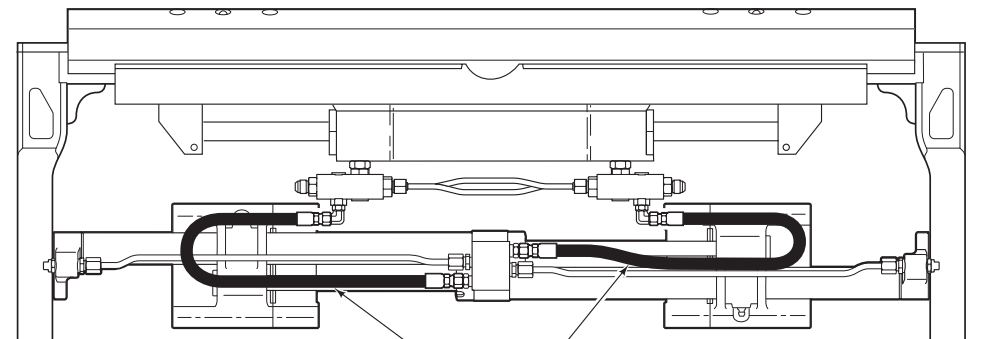


FP01328.eps

- 4** Install the kit fork positioner hoses. Route the hoses to prevent wear and pinch points.



FP01329.eps



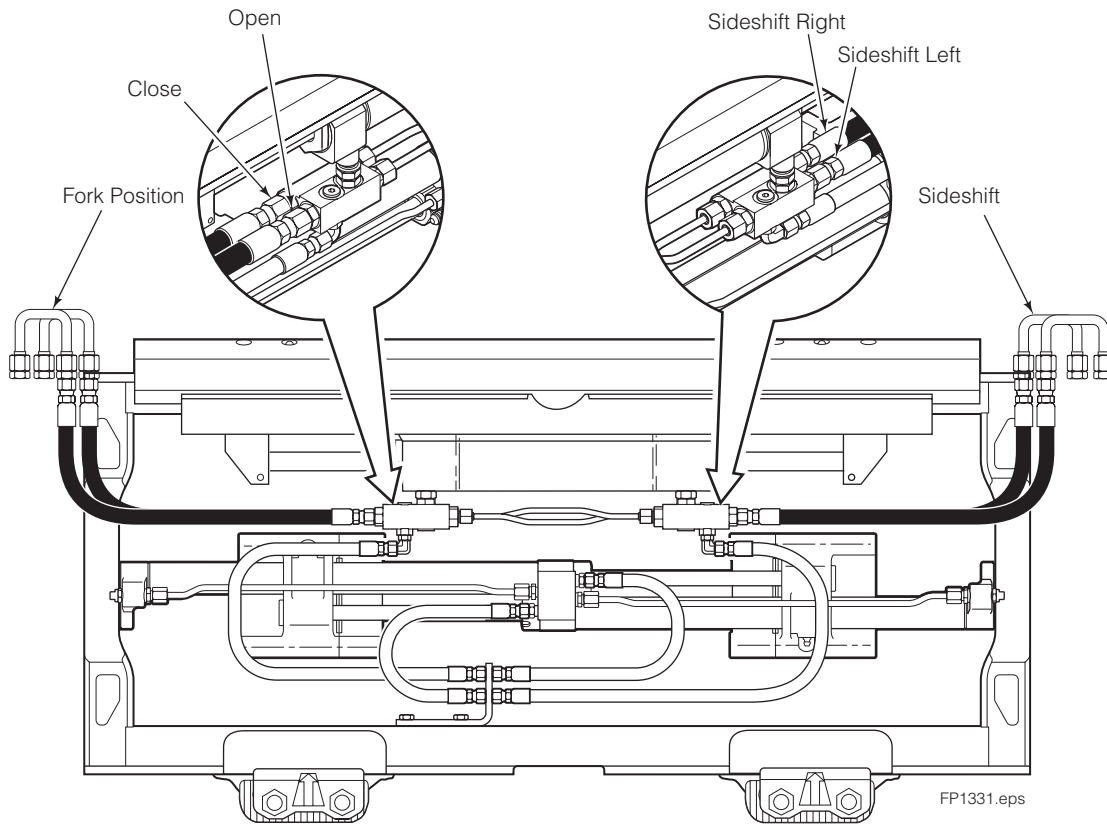
FP01330.eps

65K/100K Attachment

3 **4**

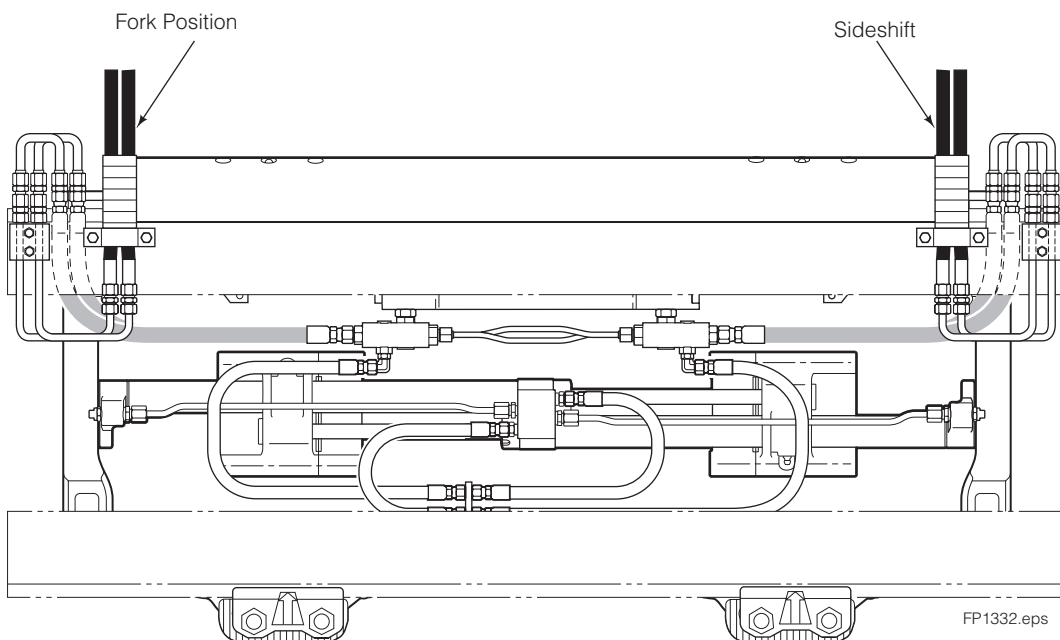
5 Install kit supply connection hoses.

NOTE: After supply connection hoses have been cut to length and reusable fittings have been installed, supply connection hoses must be flushed prior to being reinstalled on attachment.



SSR manifold layout shown

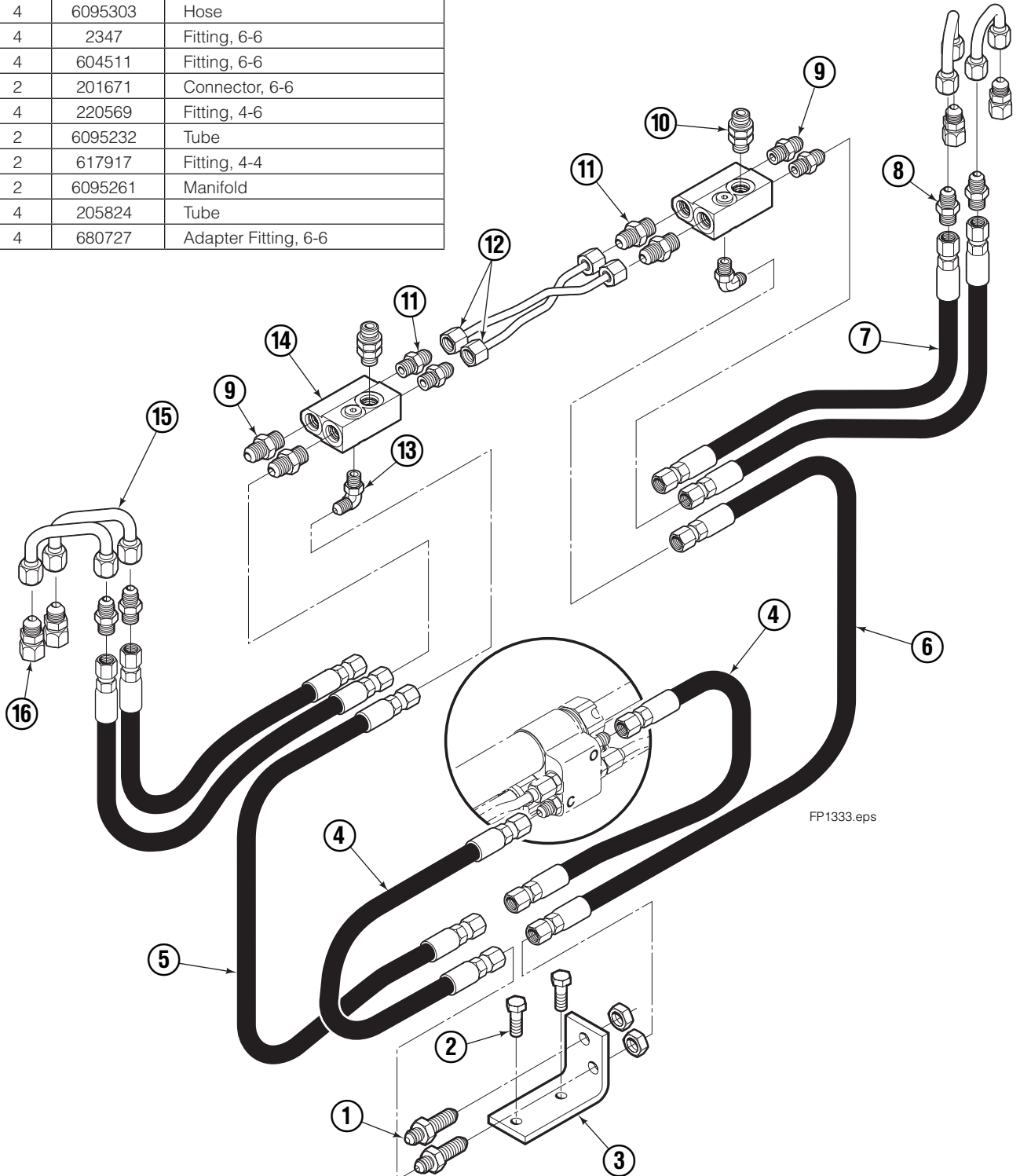
6 Connect truck supply hoses to kit supply hoses.



SSR manifold layout shown

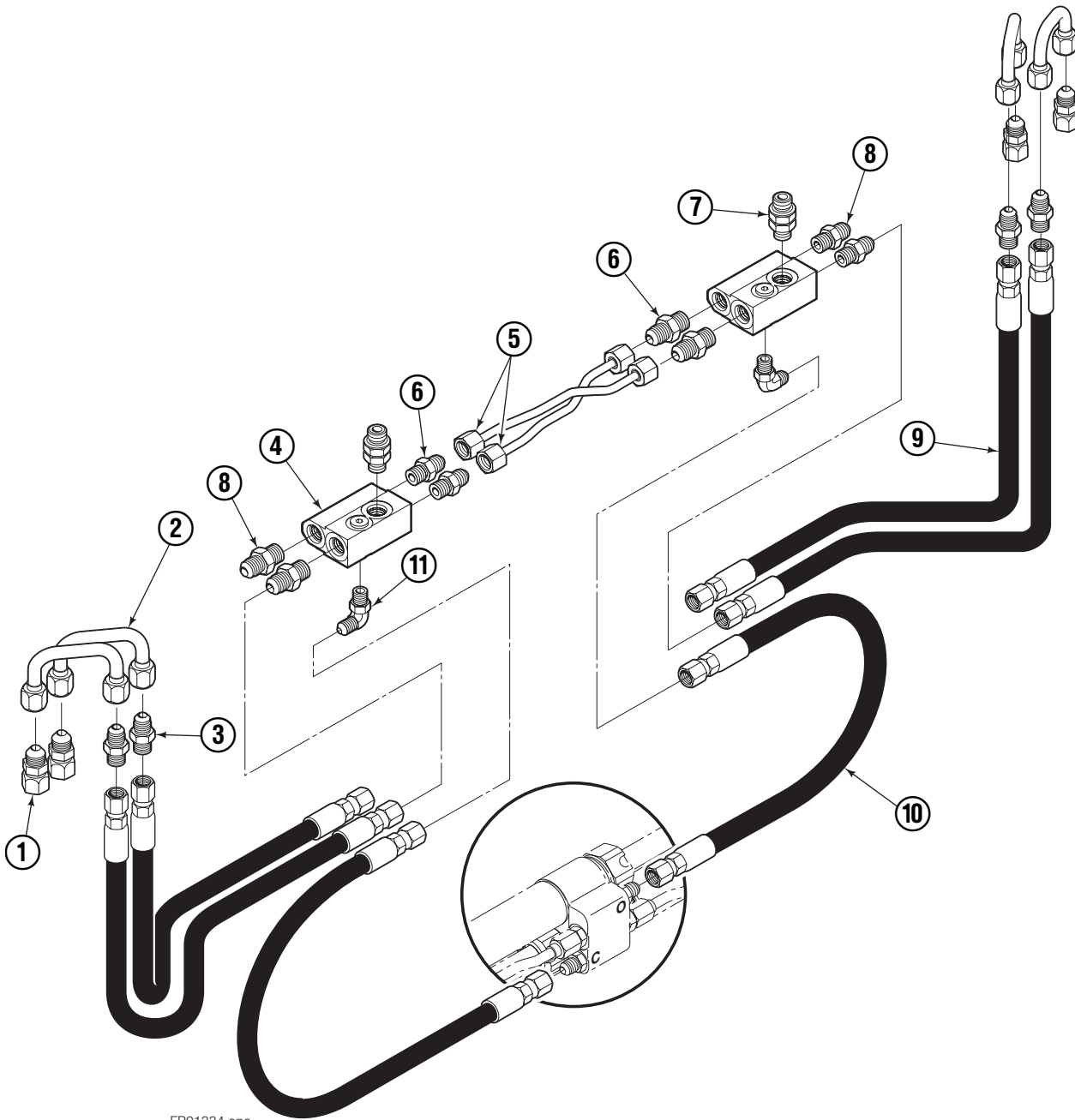
55K High Termination Kit

REF	QTY	PART NO.	DESCRIPTION
		6095242	55K High Termination Kit
1	2	2373	Fitting, 4-4
2	2	787373	Capscrew M8X25
3	1	6095237	Bracket
4	2	6050725	Hose
5	1	6064656	Hose
6	1	6083529	Hose
7	4	6095303	Hose
8	4	2347	Fitting, 6-6
9	4	604511	Fitting, 6-6
10	2	201671	Connector, 6-6
11	4	220569	Fitting, 4-6
12	2	6095232	Tube
13	2	617917	Fitting, 4-4
14	2	6095261	Manifold
15	4	205824	Tube
16	4	680727	Adapter Fitting, 6-6



FP1333.eps

65K/100K High Termination Kit



FP01334.eps

REF	QTY	PART NO.	DESCRIPTION
		6095318	65K/100K High Termination Kit
1	4	680728	Adapter Fitting, 6-6
2	4	6095315	Tube
3	4	674294	Fitting, 8-6
4	2	6095261	Manifold
5	2	6095232	Tube
6	4	220569	Fitting, 4-6
7	2	201671	Connector, 6-6
8	4	604511	Fitting, 6-6
9	4	6095303	Hose
10	2	6064656	Hose
11	2	617917	Fitting, 4-4