



Technical Bulletin

55F Sideshifter Lower Bearing Identification, Installation (Service Kit 6033487)

This sheet describes lower bearing identification and replacement for Cascade F-Series Sideshifters. Service Kit 6033487 contains two (2) types of composite bearings. For applications requiring bronze bearings, contact Cascade Parts Depot (see address on bottom of sheet).

Sideshifter frames may be encountered with two (2) different lower hanger designs, requiring different lower bearings.

Figure 1 shows the bearing that must be used with the pocketed lower hanger design. Figure 2 shows the bearing that must be used with the flat lower hanger design. **Lower bearings with raised center lugs must only be used on pocketed frames.** Bearing part number is stamped on the bottom of the bearing mounting boss.


 **CAUTION:** Identify sideshifter frame type as shown below before installing replacement lower bearings.

Figure 1 – Composite bearing with raised center lugs – Use on pocketed-type frames only.

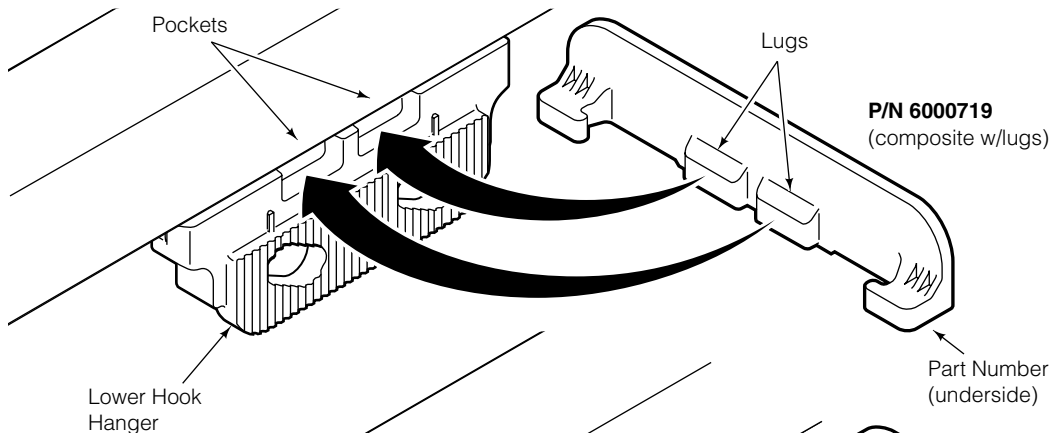
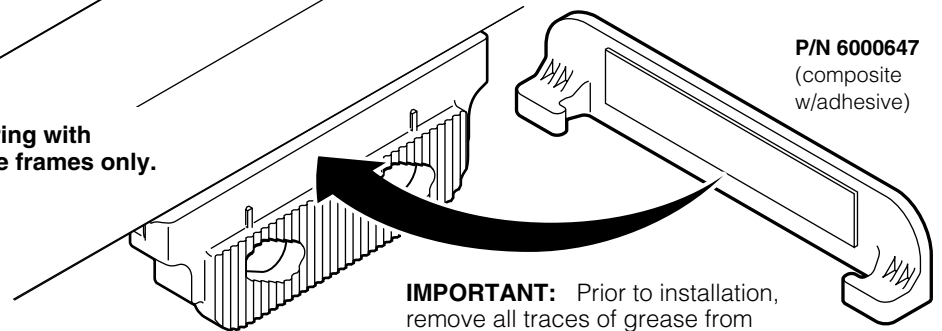


Figure 2 – Composite bearing with adhesive – Use on flat-type frames only.



IMPORTANT: Prior to installation, remove all traces of grease from frame bearing area and remove protective tape from bearing.

SS0526.iii

NOTE: This information should not be interpreted as the basis for warranty claims unless so designated.



For Technical Support . . .

Call: 1-800-227-2233 Fax: 1-888-329-8207
Internet: www.cascorp.com
Write: Cascade Corporation, PO Box 20187, Portland, OR 97294

To Order Parts . . .

Call: 1-888-227-2233 Fax: 1-888-329-0234
Internet: www.cascorp.com
Write: Cascade Corporation, 2501 Sheridan Ave., Springfield, OH 45505