



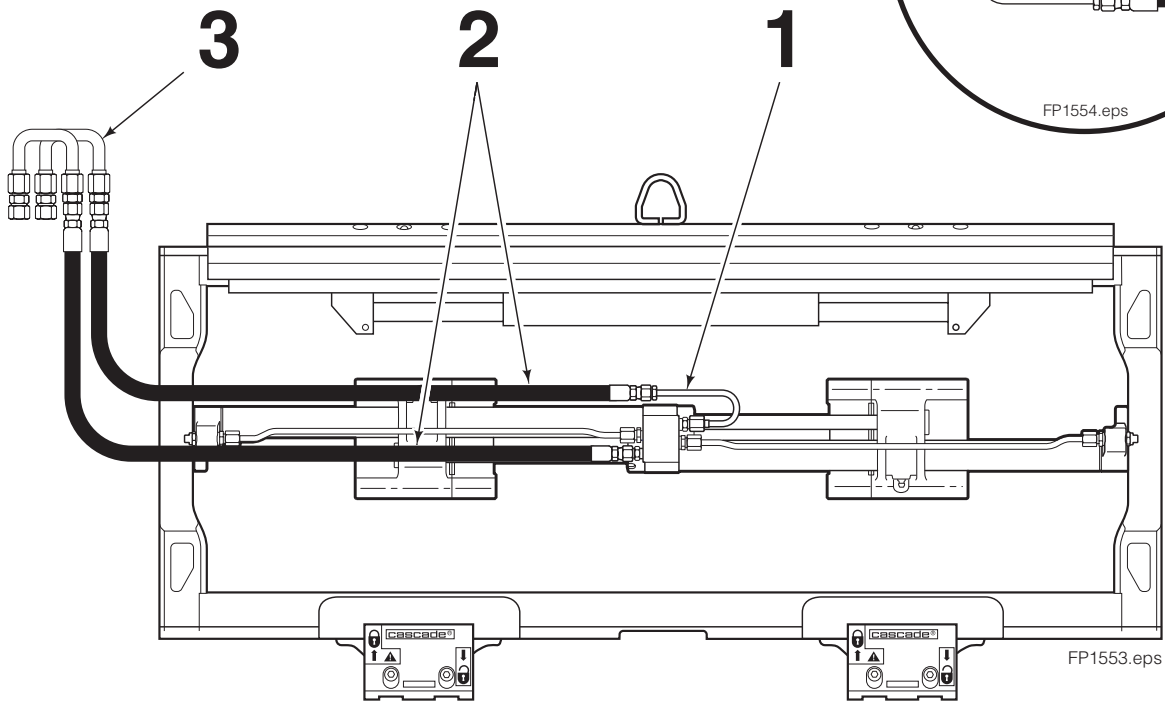
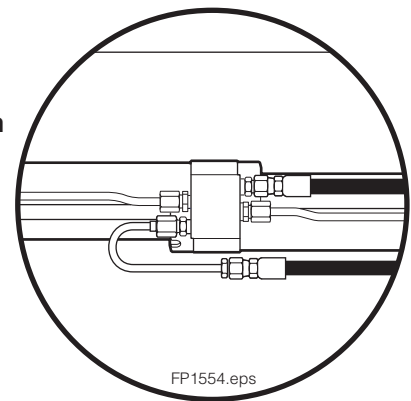
Installation Instructions

55K-FPB Fork Positioner Hose Kit 6808358

This sheet provides installation instructions and replacement parts list for Cascade Hose Kit 6808358. The kits provide high termination connections for the attachment fork positioner function to match truck high termination connection points. The kit can be configured for hoses to terminate on the left hand or right hand side.

- 1 Install the manifold tube to the center manifold.
 - 2 Connect hoses to the manifold tube and fitting.
 - 3 Connect the hoses to the carriage termination adapter tubes and fittings.
- NOTE:** The tubes and hoses can be plumbed for a left or right hand carriage high termination connection.

Right Hand
Carriage
Termination



Left Hand Carriage Termination

cascade[®]
corporation

For Technical Support . . .

Call: 1-800-227-2233 Fax: 1-888-329-8207

Internet: www.cascorp.com

Write: Cascade Corporation, PO Box 20187, Portland, OR 97294

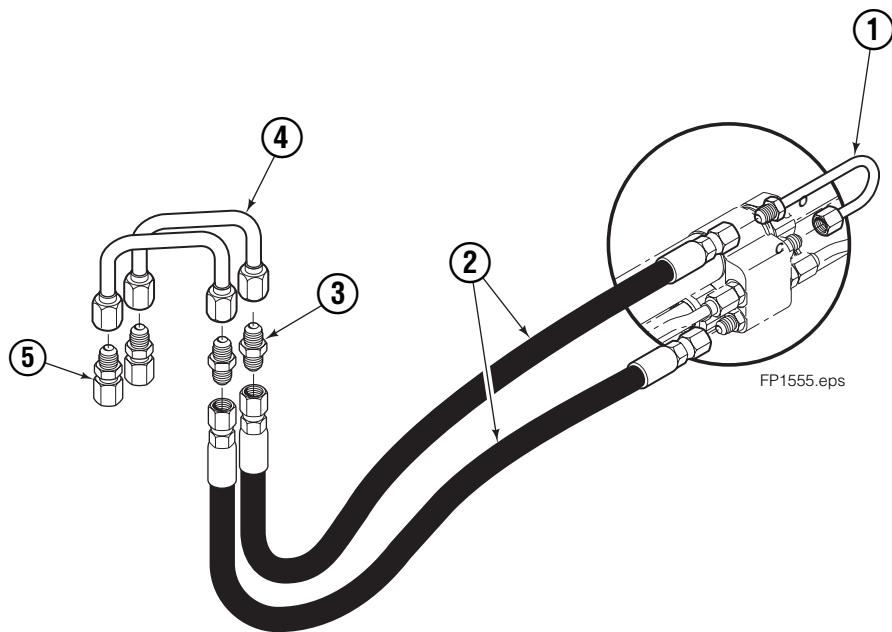
To Order Parts . . .

Call: 1-888-227-2233 Fax: 1-888-329-0234

Internet: www.cascorp.com

Write: Cascade Corporation, 2501 Sheridan Ave., Springfield, OH 45505

55K-FPB High Termination Kit



REF	QTY	PART NO.	DESCRIPTION
		6808358	55K-FPB High Termination Kit
1	1	6808359	Tube
2	2	6808372	Hose
3	2	2347	Fitting, 6-6
4	2	205824	Tube
5	2	680727	Fitting, 6-6

