



Installation Instructions

E & F-Series Sideshifter and K-Series Fork Positioner Pallet and Cylinder Guard Kits

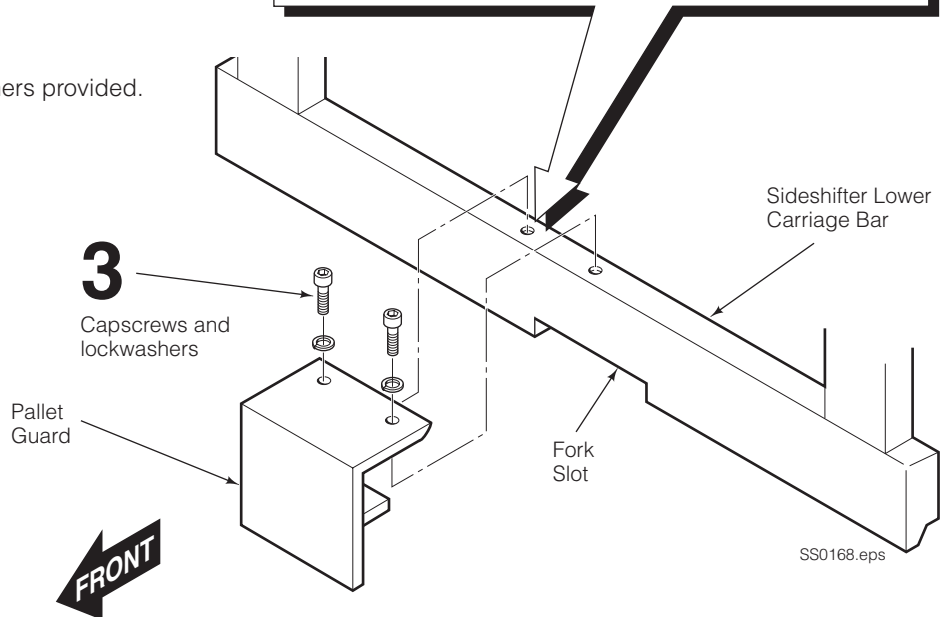
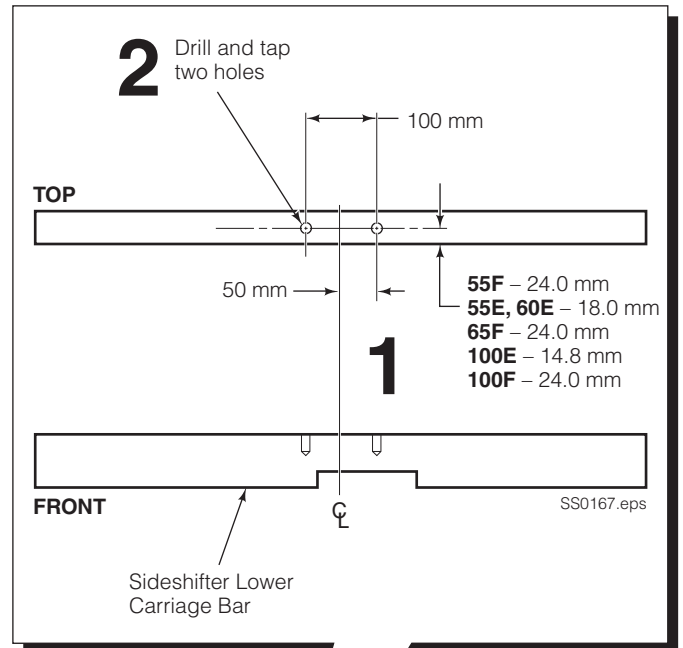
This sheet provides instructions on how to install pallet guards and cylinder guards on Cascade E, F & K-Sideshifters. The guards protect pallets and cylinders from fork damage. The kits include a pallet guard and/or cylinder guard and fasteners.

Sideshifter Model	Pallet Guard Kit Part No.
55E	208384
55F	220688
60E	205678
65F	6057694
100E	205682
100F	6057707

Sideshifters without Pre-Drilled Holes

The following instructions are for sideshifters without pre-drilled holes:

- 1 Locate and mark two hole centers on the top of the sideshifter lower carriage bar as shown.
- 2 Drill and tap two holes to a thread depth of 25 mm.
55E, 60E, 100E – M14 x 2 threads
55F, 65F, 100F – M16 x 2 threads
- 3 Install the pallet guard using the fasteners provided. Tighten the capscrews to a torque of:
M14 – 75 ft.-lbs. (105 Nm)
M16 – 120 ft.-lbs. (165 Nm)



cascade[®]
corporation

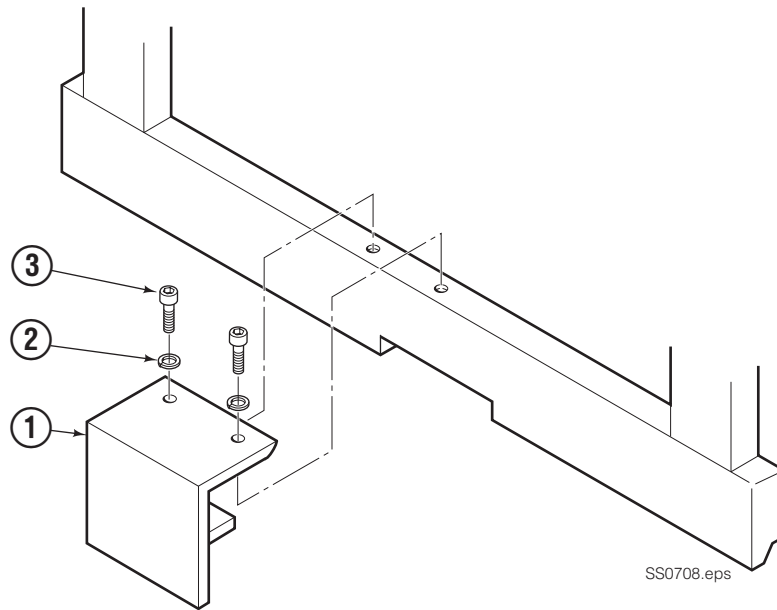
For Technical Support . . .

Call: 1-800-227-2233 Fax: 1-888-329-8207
 Internet: www.cascorp.com
 Write: Cascade Corporation, PO Box 20187, Portland, OR 97294

To Order Parts . . .

Call: 1-888-227-2233 Fax: 1-888-329-0234
 Internet: www.cascorp.com
 Write: Cascade Corporation, 2501 Sheridan Ave., Springfield, OH 45505

E & F-Series Sideshifter Pallet Guard Kits (User Drilled Sideshifters)

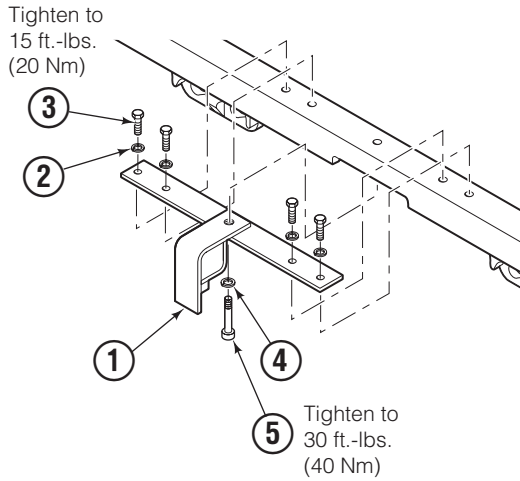


REF	QTY	55E	60E	100E	DESCRIPTION
		PART NO.	PART NO.	PART NO.	
		208384	205678	205682	Pallet Guard Kit
1	1	208381	205677	205681	Pallet Guard
2	1	688705	688705	688705	Lockwasher, M14
3	1	770942	770942	770942	Capscrew, M14 x 30

REF	QTY	55F	65F	100F	DESCRIPTION
		PART NO.	PART NO.	PART NO.	
		220688	6057694	6057707	Pallet Guard Kit
1	1	220689	6057670	6057698	Pallet Guard
2	1	684586	684586	684586	Lockwasher, M16
3	1	769573	769573	769573	Capscrew, M16 x 30

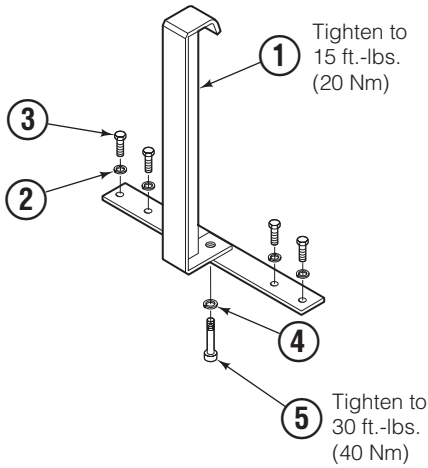
F & K-Series Sideshifter Cylinder/Pallet Guard Kits (Pre-drilled Sideshifters)

Pallet Protector Guard



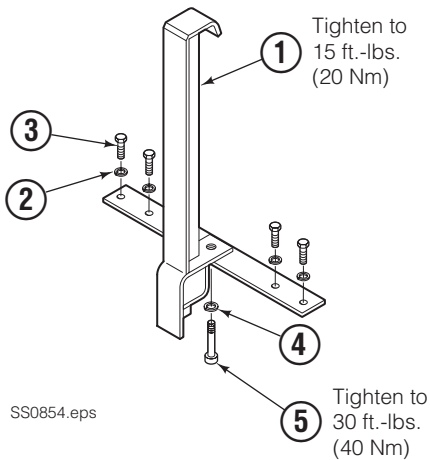
REF	QTY	55F, 55K PART NO.	65F, 65K PART NO.	100F, 100K PART NO.	DESCRIPTION
		6054104	6064598	6072258	Pallet Protector Guard Kits
1	1	6054105	6064603	6072259	Pallet Protector Guard
2	4	787389	787389	787389	Lockwasher, M8
3	4	787373	787373	787373	Capscrew, M8 x 25
4	1	787383	787383	787383	Lockwasher, M10
5	1	767611	767611	—	Capscrew, M10 x 40
		—	—	768814	Capscrew, M10 x 60

Cylinder Guard



REF	QTY	55K PART NO.	65K PART NO.	100K PART NO.	DESCRIPTION
		6053306	6064519	6072242	Cylinder Guard Kits
1	1	6053198	6064520	6072243	Cylinder Guard
2	4	787389	787389	787389	Lockwasher, M8
3	4	787373	787373	787373	Capscrew, M8 x 25
4	1	787383	787383	787383	Lockwasher, M10
5	1	767611	767611	—	Capscrew, M10 x 40
		—	—	768814	Capscrew, M10 x 60

Cylinder/Pallet Guard



REF	QTY	55K PART NO.	65K PART NO.	100K PART NO.	DESCRIPTION
		6054100	6064552	6072248	Cylinder/Pallet Guard Kits
1	1	6054101	6064539	6072249	Cylinder/Pallet Guard
2	4	787389	787389	787389	Lockwasher, M8
3	4	787373	787373	787373	Capscrew, M8 x 25
4	1	787383	787383	787383	Lockwasher, M10
5	1	767611	767611	—	Capscrew, M10 x 40
		—	—	768814	Capscrew, M10 x 60

SS0854.eps

Do you have questions you need answered right now? Call your nearest Cascade Service Department. Visit us online at www.cascorp.com

AMERICAS

**Cascade Corporation
Parts Sales**
2501 Sheridan Ave.
Springfield, OH 45505
Tel: 888-CASCADE (227-2233)
Fax: 888-329-0234

Cascade Canada Inc.
5570 Timberlea Blvd.
Mississauga, Ontario
Canada L4W-4M6
Tel: 905-629-7777
Fax: 905-629-7785

Cascade do Brasil
Rua João Guerra, 134
Macuco, Santos - SP
Brasil 11015-130
Tel: 55-13-2105-8800
Fax: 55-13-2105-8899

EUROPE-AFRICA

**Cascade Italia S.R.L.
European Headquarters**
Via Dell'Artigianato 1
37050 Vago di Lavagno (VR)
Italy
Tel: 39-045-8989111
Fax: 39-045-8989160

Cascade (Africa) Pty. Ltd.
PO Box 625, Isando 1600
60A Steel Road
Sparton, Kempton Park
South Africa
Tel: 27-11-975-9240
Fax: 27-11-394-1147

ASIA-PACIFIC

Cascade Japan Ltd.
2-23, 2-Chome,
Kukuchi Nishimachi
Amagasaki, Hyogo
Japan, 661-0978
Tel: 81-6-6420-9771
Fax: 81-6-6420-9777

Cascade Korea
121B 9L Namdong Ind.
Complex, 691-8 Gojan-Dong
Namdong-Ku
Inchon, Korea
Tel: +82-32-821-2051
Fax: +82-32-821-2055

Cascade-Xiamen
No. 668 Yangguang Rd.
Xinyang Industrial Zone
Haicang, Xiamen City
Fujian Province
P.R. China 361026
Tel: 86-592-651-2500
Fax: 86-592-651-2571

**Cascade India Material
Handling Private Limited**
No 34, Global Trade Centre
1/1 Rambaugh Colony
Lal Bahadur Shastri Road,
Navi Peth, Pune 411 030
(Maharashtra) India
Phone: +91 020 2432 5490
Fax: +91 020 2433 0881

Cascade Australia Pty. Ltd.
1445 Ipswich Road
Rocklea, QLD 4107
Australia
Tel: 1-800-227-223
Fax: +61 7 3373-7333

Cascade New Zealand
15 Ra Ora Drive
East Tamaki, Auckland
New Zealand
Tel: +64-9-273-9136
Fax: +64-9-273-9137

**Sunstream Industries
Pte. Ltd.**
18 Tuas South Street 5
Singapore 637796
Tel: +65-6795-7555
Fax: +65-6863-1368

