



# Parts Manual

---

Model 150H Fork Positioner

Serial Number 150H-FPS-194

---

**cascade**<sup>®</sup>  
corporation

**For Technical Assistance call:** 800-227-2233, Fax: 888-329-8207

**To Order Parts call:** 888-227-2233, Fax: 888-329-0234

**OR**

**Write:** Cascade Corporation, P.O. Box 20187, Portland, OR 97220

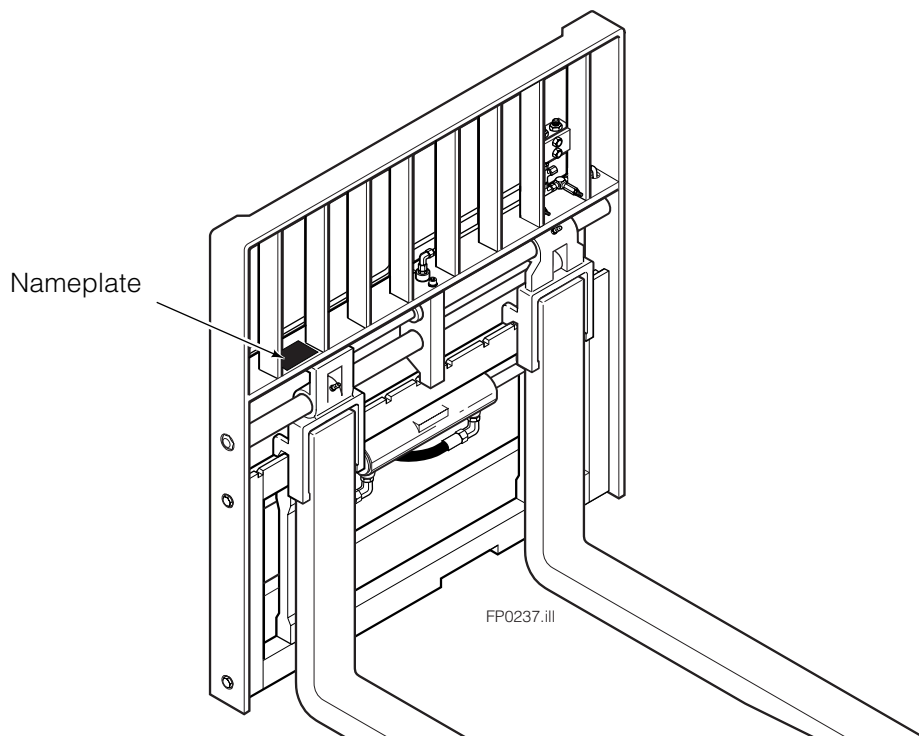
**Internet:** [www.cascorp.com](http://www.cascorp.com)



# About This Manual

## Introduction

This Manual shows the parts breakdown for the 150H Fork Positioner. Locate the nameplate on the left side of the backrest. If the nameplate is missing all necessary information is stamped into the backrest at the same location. The serial number must be supplied when ordering replacement parts for this product.



## Ordering Parts

**Customers** – Cascade parts and service literature is available through authorized lift truck dealers. To place an order, contact the lift truck dealer of your choice.

**Lift Truck Dealers** – To order parts and service literature contact:

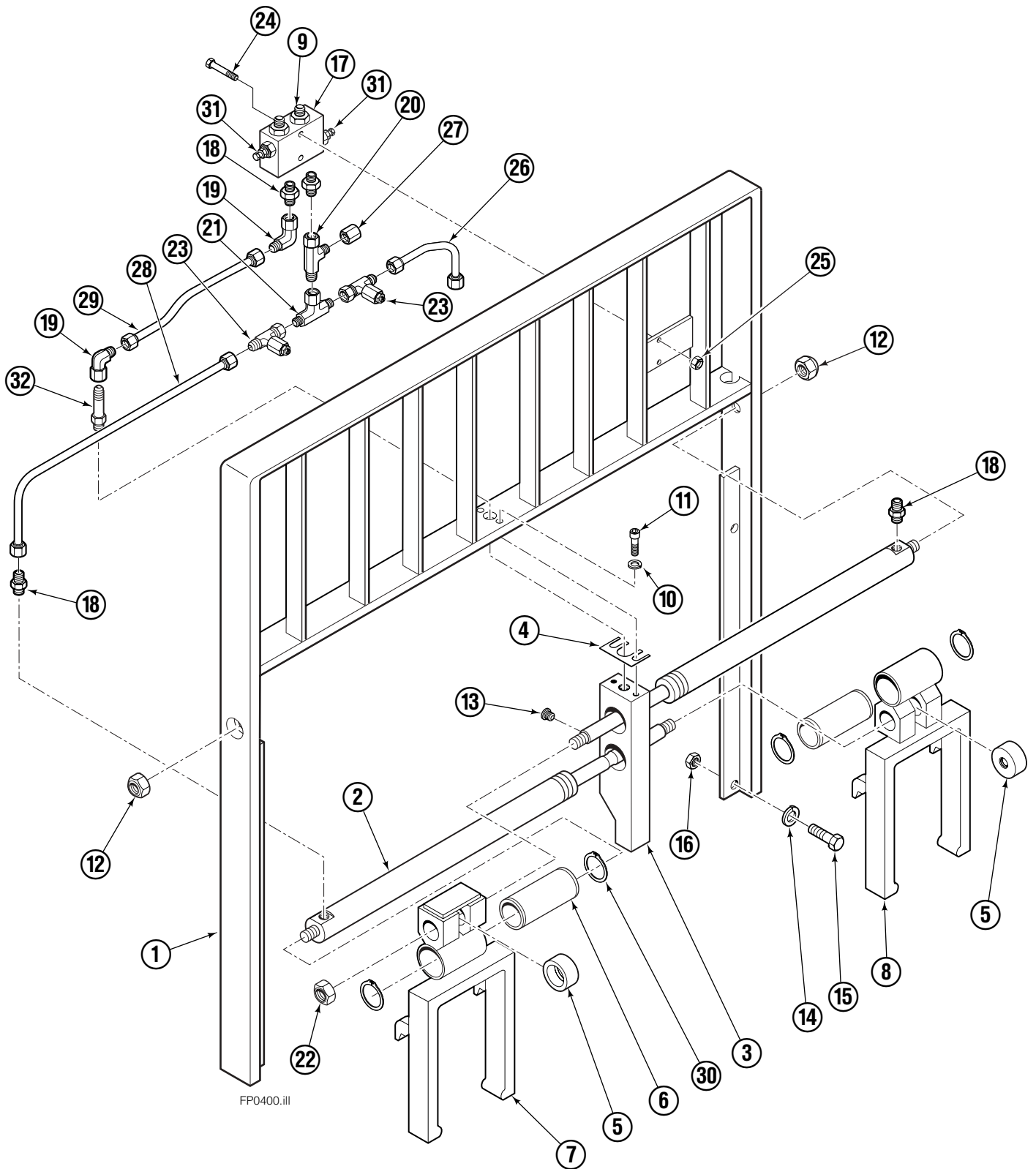
### **Cascade Parts Sales**

2501 Sheridan Avenue  
Springfield, OH 45505  
Tel: 888-CAS-CADE (227-2233)  
FAX: 888-329-0234



**WARNING:** For the safety of yourself and others, DO NOT install the parts shown in this Manual unless you have thoroughly reviewed the appropriate Service Manual.

# Fork Positioner Assembly



FP0400.ill

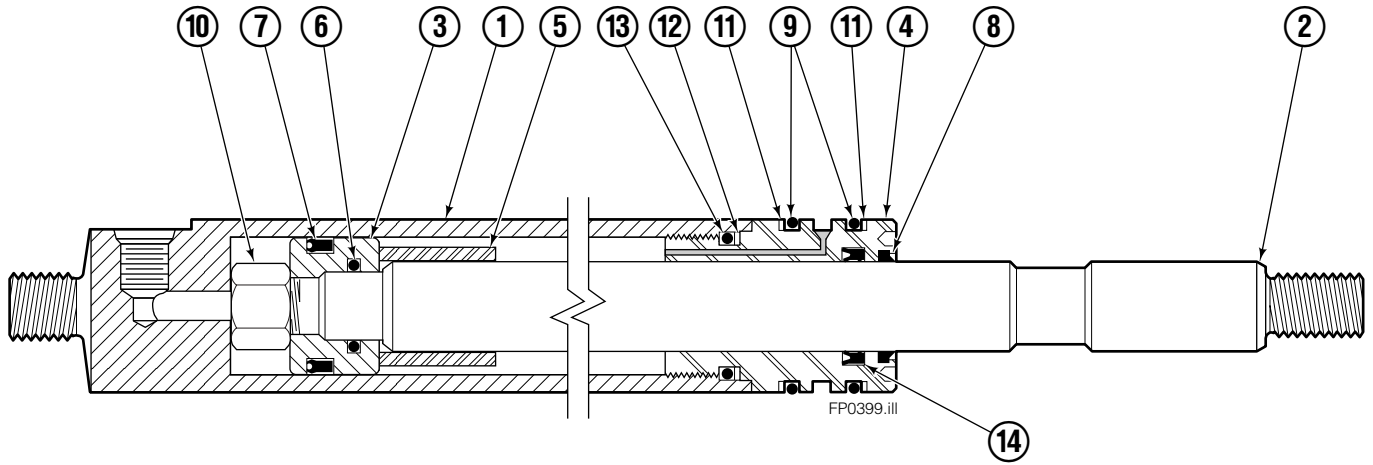
# Fork Positioner Assembly

150H			
REF	QTY	PART NO.	DESCRIPTION
		6114636	Fork Positioner Assembly
1	1	6114641	Frame
2	2	6114779	Cylinder ♦
3	1	6114642	Center Plate
4	1	6114643	Shim
5	2	6114644	Lug
6	2	6006759	Bushing
7	1	6114645	Fork Carrier, RH
8	1	6114646	Fork Carrier, LH
9	2	604511	Fitting, 6-6
10	2	680030	Lockwasher, M10
11	2	217933	Capscrew, M10 x 45
12	2	200244	Nut
13	1	604510	Plug, 6
14	4	683822	Lockwasher, M12
15	4	202407	Capscrew, M12 x 60
16	4	763025	Nut, M12
17	1	215919	Valve Body
18	4	611288	Fitting, 6-8
19	2	2680	Fitting, 6-6
20	1	611329	Fitting, 6-6
21	1	610892	Fitting, 6-6
22	2	200006	Nut
23	2	6009677	Restrictor Fitting
24	2	768528	Capscrew, M8 x 55
25	2	786881	Nut, M8
26	1	6009745	Tube, 6
27	1	2645	Nut, 6
28	1	6009786	Tube, 6
29	1	6101869	Tube
30	4	3154	Snap Ring
31	2	211223	Sun Valve
32	1	605743	Fitting

♦ See Cylinder page for parts breakdown.

Reference: S-21104, S-21106, S-21127, S-21129.

# Cylinder

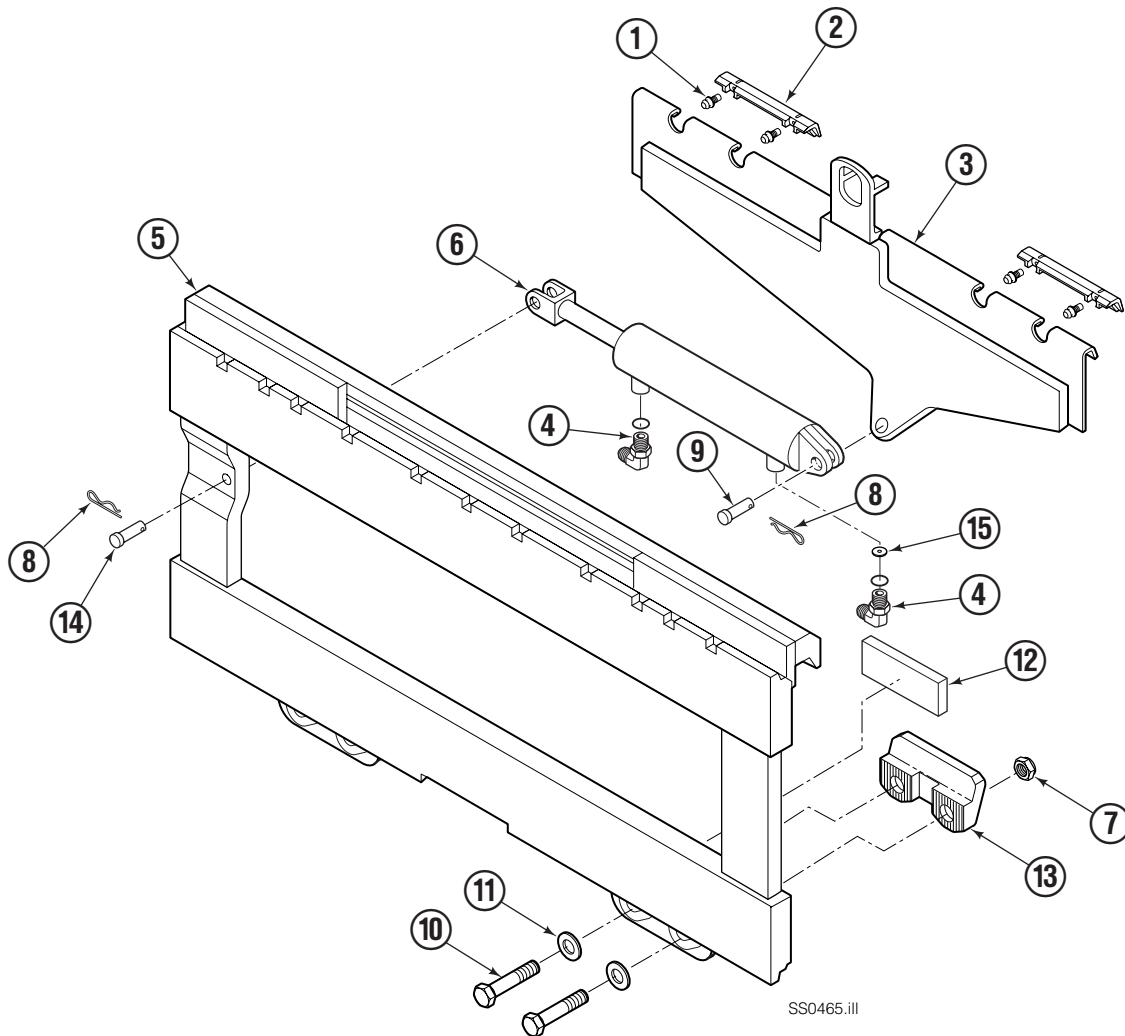


<b>150H</b>			
REF	QTY	PART NO.	DESCRIPTION
		6114779	Cylinder Assembly
1	1	6114781	Shell
2	1	6114780	Rod
3	1	6006925	Piston
4	1	6006966	Retainer
5	1	6006924	Spacer
6	1	2708	● O-Ring
7	1	663728	● Piston Seal
8	1	636851	● Wiper
9	2	2784	● O-Ring
10	1	667623	Nut, .625
11	2	615127	● Back Up Ring
12	1	615124	● Back Up Ring
13	1	2721	● O-Ring
14	1	6010310	● Rod Seal
		6100214	Service Kit

● Included in Service Kit 6100214.

Reference: S-21126, S-21132.

# Sideshifter Group



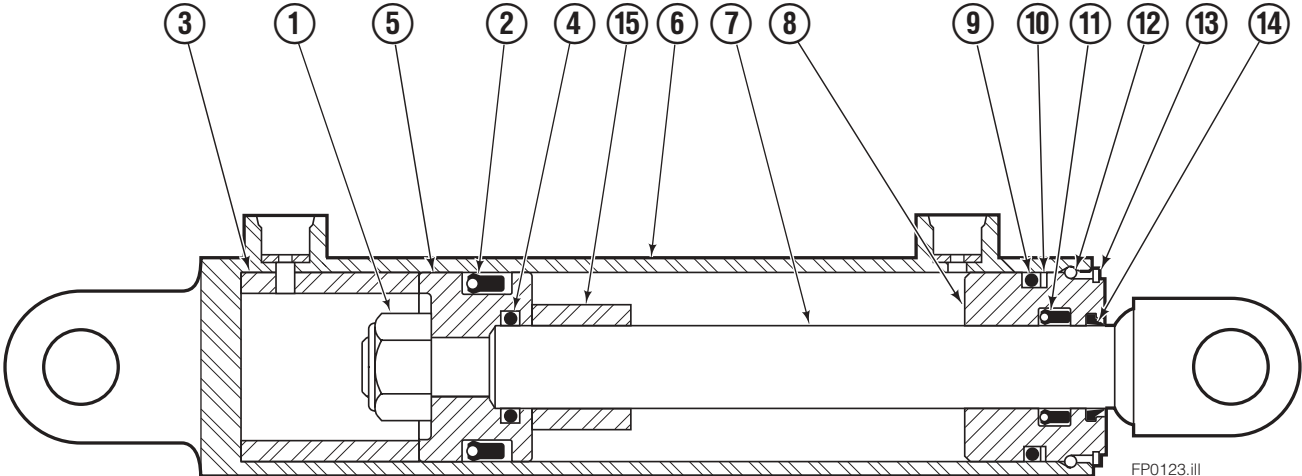
150D			
REF	QTY	PART NO.	DESCRIPTION
1	4	7403	Grease Fitting
2	2	672018	Bearing Segment
3	1	6114649	Anchor Bracket
4	2	601676	Fitting, 6-6
5	1	6114648	Faceplate ■
6	1	6114671	Cylinder Assembly ▲
7	4	678990	Nut, M16
8	2	686217	Cotter Pin
9	1	686215	Clevis Pin
10	4	752903	Capscrew, M16 x 45
11	4	667225	Washer
12	2	208350	Lower Bearing
13	2	6114651	Lower Hook
14	1	686214	Clevis Pin
15	2	6024818	Washer
		675856	Service Kit – Item 12

■ If the Faceplate needs replacing, your best value is to order the complete Sideshifter Assembly.

▲ See Cylinder page for parts breakdown.

Reference: S-3420, SS Assembly 6114647.

# Sideshift Cylinder



REF	QTY	PART NO.	DESCRIPTION
		6114671	Cylinder Assembly
1	1	561012	Nut
2	1	662457	■ Seal
3	1	564562	Spacer – Head
4	1	2718	■ O-Ring
5	1	561427	Piston
6	1	6112525	Shell
7	1	6114672	Rod
8	1	561428	Retainer
9	1	2791	■ O-Ring
10	1	615134	■ Back-up Ring
11	1	662449	■ Seal
12	1	561429	Retaining Ring
13	1	7215	Snap Ring
14	1	626468	■ Wiper
15	1	561426	Spacer – Rod
		561430	Service Kit

■ Included in Service Kit 561430.

Reference: S-6053, S-6054.



**Do you have questions you need answered right now?** Call your nearest Cascade Parts Department. Visit us online at [www.cascorp.com](http://www.cascorp.com)

**Cascade Corporation**

2501 Sheridan Avenue  
Springfield, OH 45505  
Tel: 888-CASCADE (227-2233)  
FAX: 888-329-0234

**Cascade Canada Inc.**

5570 Timberlea Blvd.  
Mississauga, Ontario  
Canada L4W-4M6  
Tel: 905-629-7777  
FAX: 905-629-7785

**Cascade GmbH**

Dahlener Strasse 570  
41239 Mönchengladbach  
Germany  
Tel: 02166-68230  
FAX: 02166-682323

**Cascade Finland**

A. Petreliuksenkatu 3  
01370 Vantaa  
Finland  
Tel: 09-8361925  
FAX: 09-8361935

**Cascade N.V.  
Benelux Sales and Service**

Damsluisweg 56  
PO Box 3009  
1300 El Almere  
The Netherlands  
Tel: 036-5492950  
FAX: 036-5492974

**Cascade (UK) Ltd.**

Unit 5, Eden Close  
Hellaby Lane Ind. Estate  
Heellaby,  
Rotherham S66 8RW  
England  
Tel: 01709-704500  
FAX: 01709-704501

**Sales Scotland  
Macade Systems Ltd.**

18 Melford Road  
Righead Ind. Estate  
Bellshill ML4 3LR  
Scotland  
Tel: 01698-845777  
FAX: 01698-845888

**Cascade (Africa) Pty. Ltd.**

PO Box 625, Isando 1600  
60A Steel Road  
Sparton, Kempton Park  
South Africa  
Tel: 975-9240  
FAX: 394-1147

**Cascade Scandinavia AB**

Hammarvägen 10  
PO Box 124  
S-56723 Vaggeryd  
Sweden  
Tel: 039-336950  
FAX: 039-336959

**Cascade France  
S.A.R.L. MHP**

1D Rue De Charaintru  
BP 18,  
91360 Epinay-Sur-Orge  
France  
Tel: 01-6454-7500  
FAX: 01-6454-7501

**Cascade Hispania S.A.**

Carrer 5, Sector C  
Zona Franca Duanera  
Poligono de la Zona Franca  
08040 Barcelona  
Spain  
Tel: 93-264-07-30  
FAX: 93-264-07-31

**Sales Italy**

Via Ponzano 11  
50047 Prato  
Italy  
Tel: 0574-571726  
FAX: 0574-571726  
Mobile Phone: 0337-673029

**Sales Portugal FAG  
Santos Lda**

Rua do Mercado  
Lte 6, Loja 2-Tires  
2785-630  
S. Domingos De Rana  
Portugal  
Tel: 214-448-083  
FAX: 214-458-098

**Sales Switzerland  
Fahrzeugbedarf**

8810, Horgen  
Switzerland  
Tel: 01-7279797  
FAX: 01-7279798

**Sales Poland**

Targowa 35/61  
03-728 Warszawa  
Tel: 022-619 00 49  
FAX: 022-619 00 49  
Mobile Phone: 0501-27 29 55

**Sales Russia**

EMCG Material Handling  
Equipment  
Moscow  
Tel: 095-795-2400  
FAX: 095-795-2475  
Email: [emcg@dol.ru](mailto:emcg@dol.ru)

**Cascade Japan Ltd.**

5-5-41,  
Torikai Kami  
Settsu, Osaka  
Japan, 566  
Tel: 81-726-53-3490  
FAX: 81-726-53-3497

**Cascade Korea**

108B Namdong Ind. Complex  
658-3 Gojan-Dong  
Namdong-Gu  
Inchon, 405-310 Korea  
Tel: 82-32-821-2051  
FAX: 82-32-821-2055

**Cascade Australia**

1445 Ipswich Road  
Rocklea, QLD 4106  
Australia  
Tel: 1-800227-223  
FAX: (07) 3373-7333

**Cascade New Zealand**

15 Ra Ora Drive  
East Tamaki, Auckland  
New Zealand  
Tel: 9-273-9136  
FAX: 9-273-9137

**Cascade-Xiamen**

No. 668 Yangguang Rd.  
Xinyang Industrial Zone  
Haicang, Xiamen City  
Fujian Province  
P.R. China 361026  
Tel: 86-592-651-2500  
FAX: 86-592-651-2571

**Cascade (Singapore)  
Trading Co.**

Four Seasons Park  
Autumn Block - Apt. 1802  
12 Cuscaden Walk  
Singapore  
Tel: 65-834-1935  
FAX: 65-834-1936

