



Parts Manual

Model 15D Carton Clamp

Serial Number SELP-32697 R0

cascade®
corporation

For Technical Assistance call: 800-227-2233, Fax: 888-329-8207

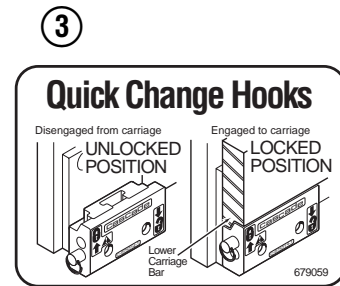
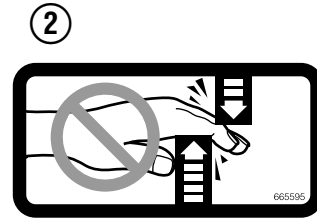
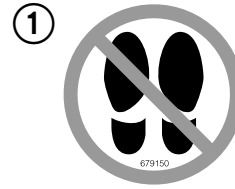
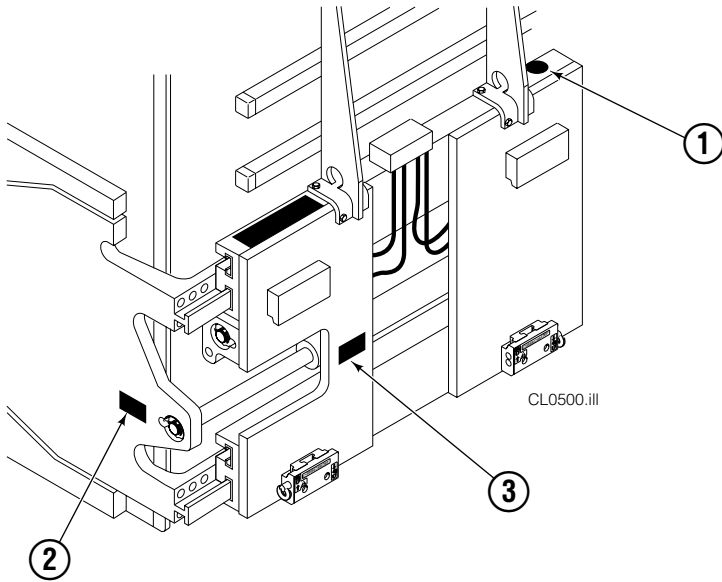
To Order Parts call: 888-227-2233, Fax: 888-329-0234

OR

Write: Cascade Corporation, P.O. Box 20187, Portland, OR 97220

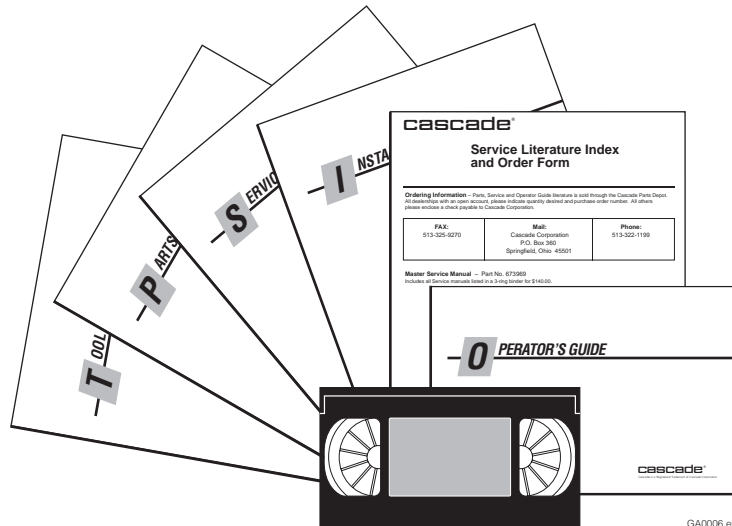
Internet: www.cascorp.com

Safety Decals



REF	QTY	PART NO.	DESCRIPTION
1	1	679150	No Step Decal
2	2	665595	No Hand Hold Decal
3	1	679059	Quick Change Hook Decal

Publications



GA0006.eps

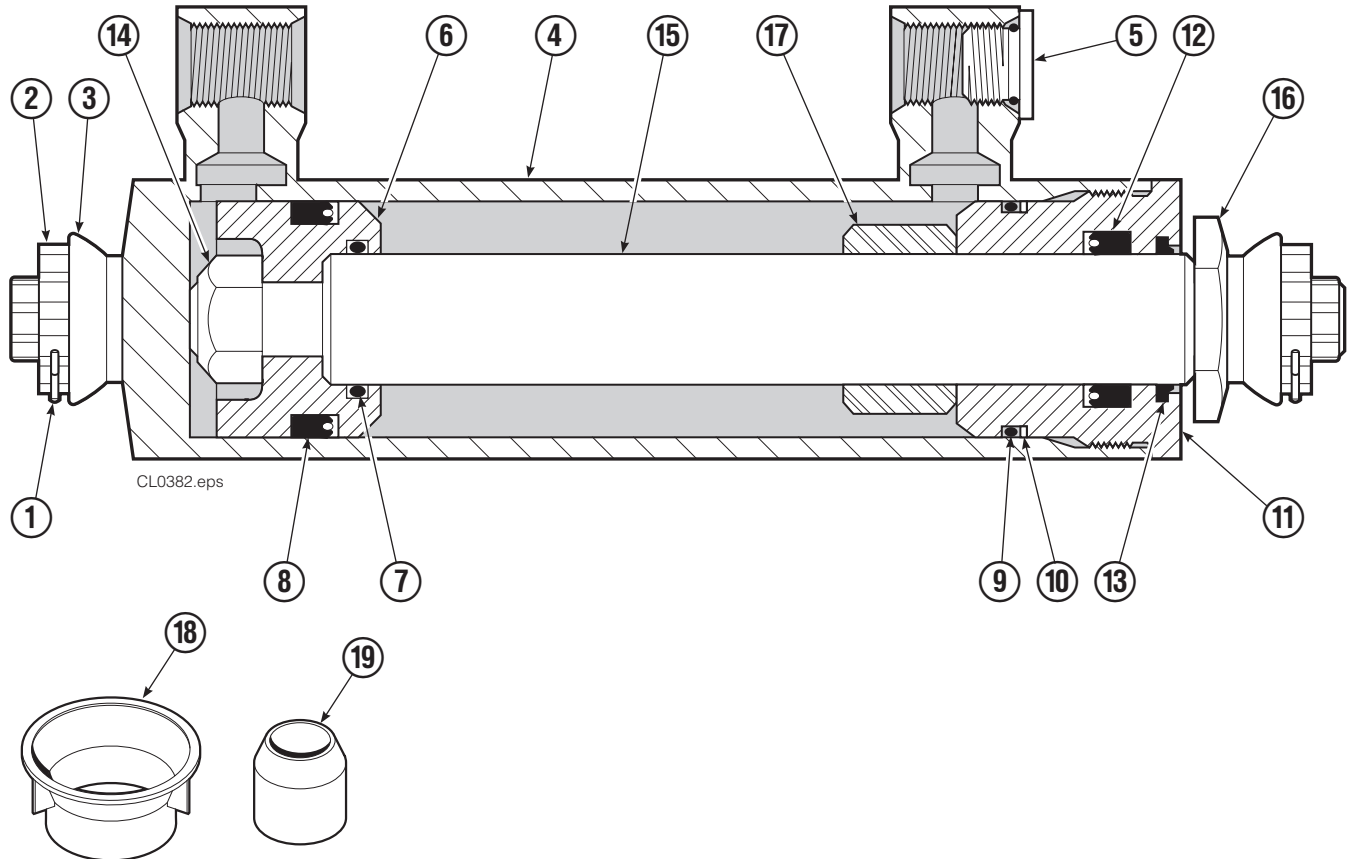
PART NO.	DESCRIPTION
670487	Service Manual
670834	Operators Guide
670488	Installation Instructions
680664	Servicing Cascade Cylinders-VHS
679929	Tool Catalog
673964	Literature Index Order Form

Base Unit Group

15D			
REF	QTY	PART NO.	DESCRIPTION
		6058293	Base Unit Group
1	2	676086	Hose, 29.20 in.
2	2	688695	Hose, 18.75 in.
3	●	675326	Shim Kit
4	4	773842	Nut, M12
5	1	601377	Fitting, 8-8
6	2	766646	Capscrew, M10 x 20
7	2	783608	Capscrew, M10 x 16
8	2	6026425	Cylinder ▲
9	2	768953	Roll Pin
10	2	769009	Roll Pin - Outer
11	1	3010751	Frame - Upper
12	16	202251	Washer, M12
13	12	684659	Capscrew, M12 x 75
14	1	319458	Bumper
15	2	763025	Nut
16	2	768414	Capscrew, M12 x 65
17	4	208858	Bearing
18	4	667663	Bearing
19	4	208857	Bearing
20	1	6047981	Mounting Plate - RH
21	1	6047982	Mounting Plate - LH
22	1	3010752	Frame - Lower
23	1	6043983	Bracket
24	1	671545	Lower Bumper
25	4	6205	Washer, M12
26	4	684659	Capscrew, M12 x 75
27	2	602580	Fitting, 8
28	10	611288	Fitting, 6-8
29	2	209021	Washer, M10
30	2	6019053	Fitting, 8-6
31	4	6058281	Spacer
	1	6061983	Valve Assembly ◆

- Includes two .015 Shims and eight .020 Shims.
- ▲ See Cylinder page for parts breakdown.
- ◆ See Valve Assembly page for parts breakdown.

Cylinder Assembly



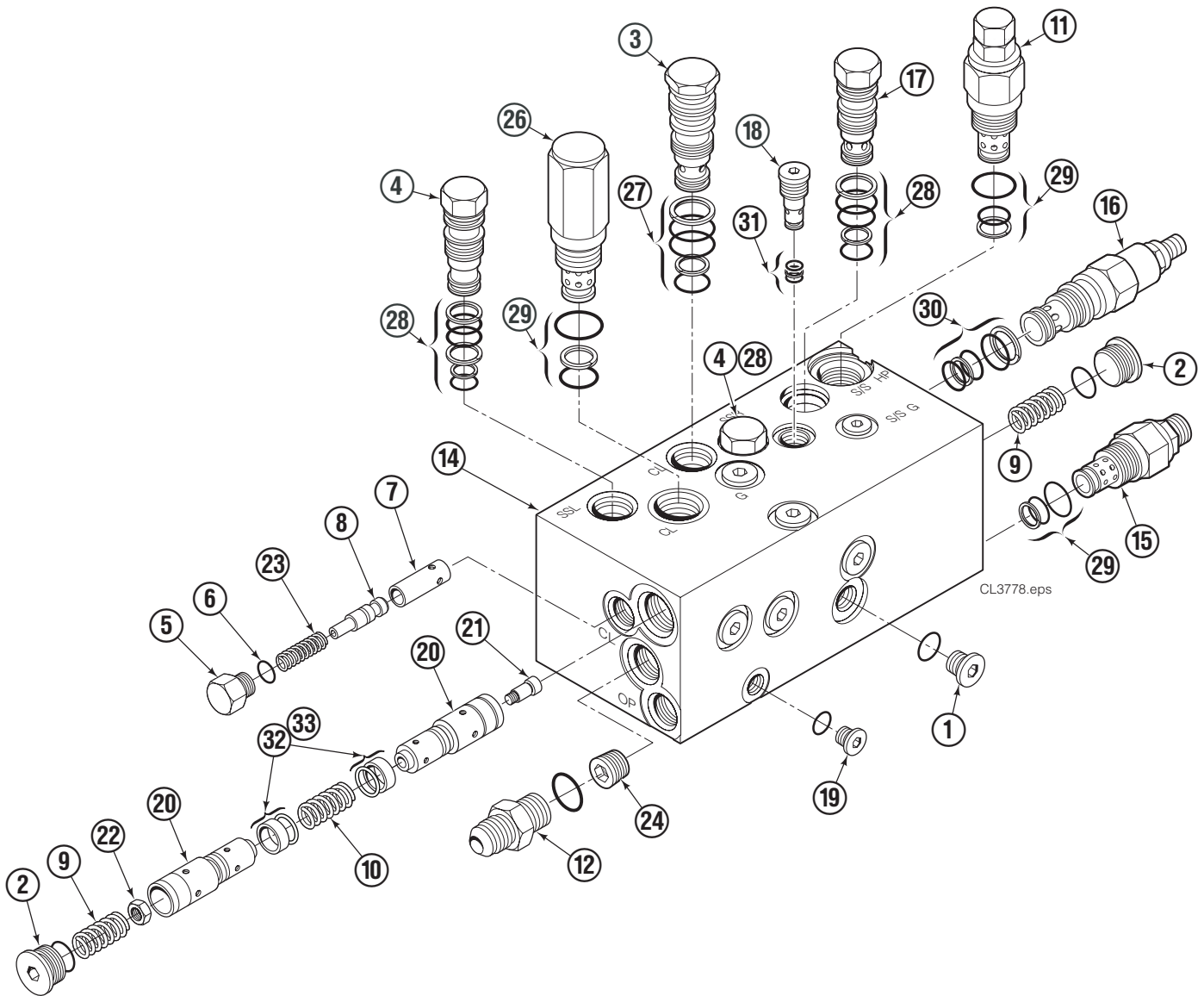
15D			
REF	QTY	PART NO.	DESCRIPTION
		6026425	Cylinder Assembly
1	2	6510	■ Cotter Pin
2	2	667624	■ Nut Retainer
3	2	667625	■ Nut
4	1	6026426	Shell
5	1	602580	Fitting
6	1	559702	Piston
7	1	2716	▲ O-Ring
8	1	662450	▲ Seal
9	1	2722	▲ O-Ring
10	1	615126	▲ Back-Up Ring
11	1	413799	Retainer
12	1	662448	▲ Seal
13	1	636853	▲ Wiper
14	1	667623	Nut
15	1	6026427	Rod
16	1	667626	Washer
17	1	—	Spacer
18	1	671047	▲ Seal Loader, Piston
19	1	671051	▲ Seal Loader, Retainer
		560729	Service Kit

■ Included in Nut Service Kit 668926.

▲ Included in Service Kit 560729.

Reference: ST-0283, ST-0284.

Valve Assembly



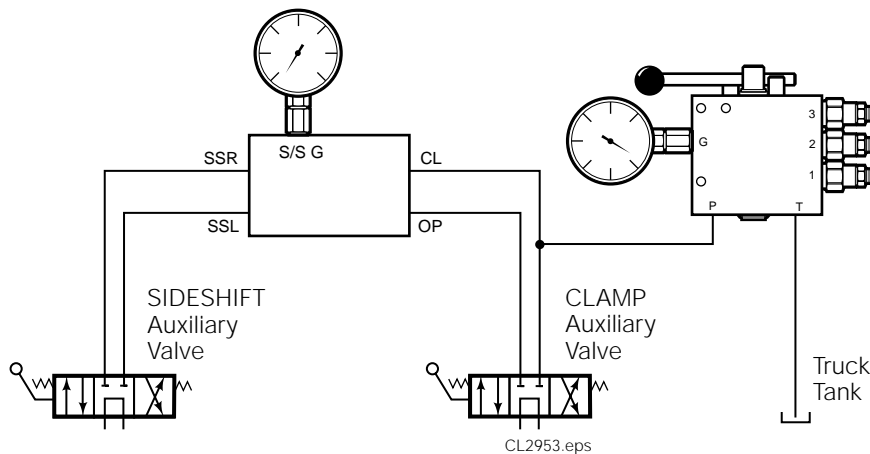
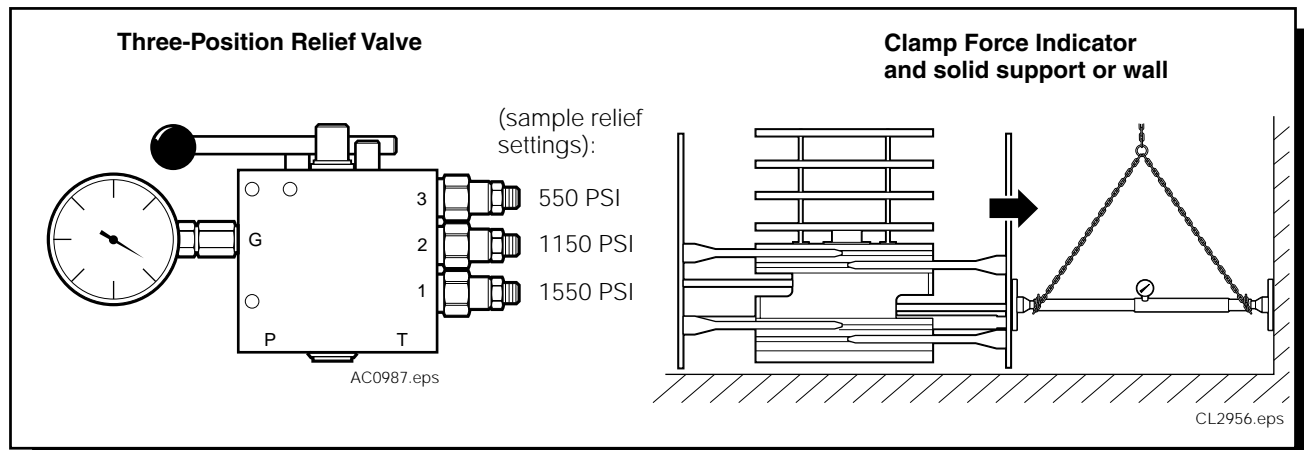
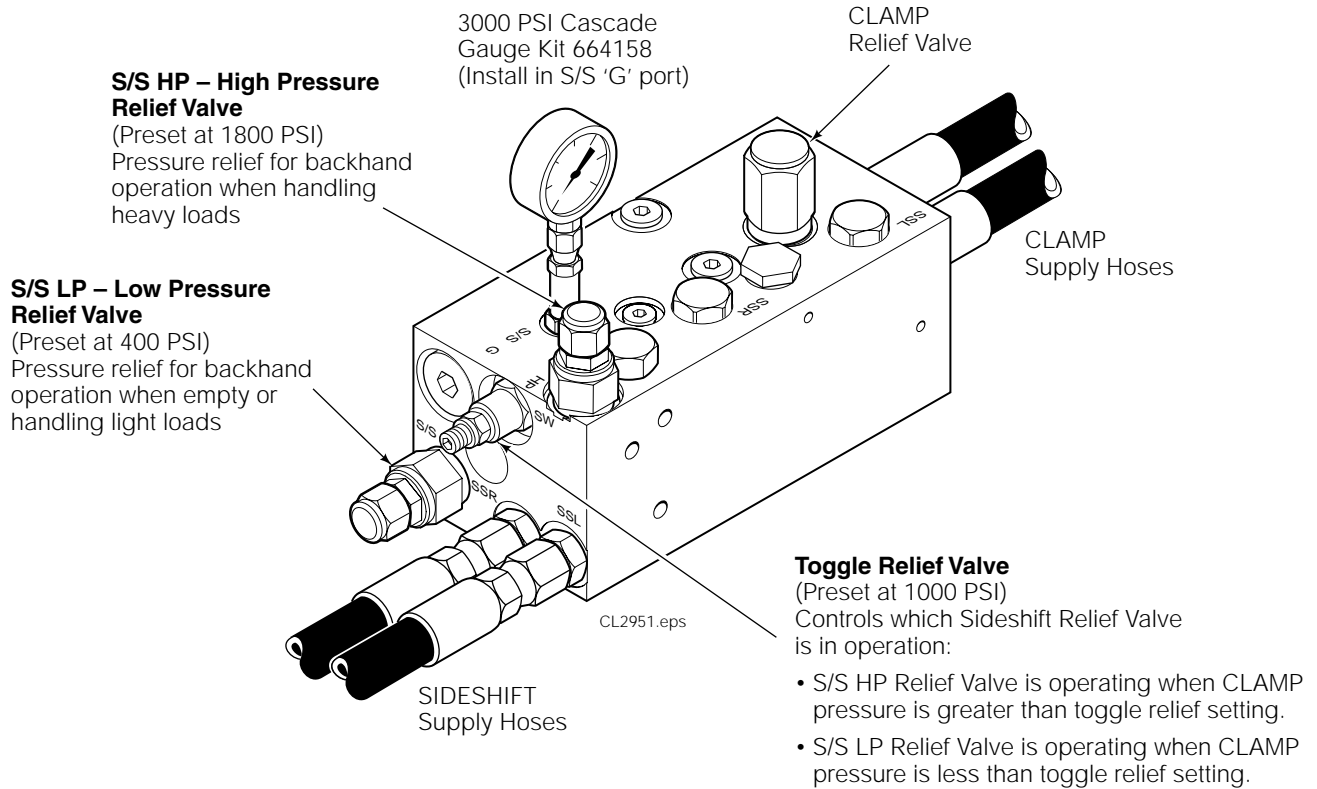
REF	QTY	PART NO.	DESCRIPTION	REF	QTY	PART NO.	DESCRIPTION
		6061983	Valve Assembly	17	1	6002071	Check Valve
1	6	604510	Plug	18	1	220869	Check Valve
2	2	609453	Plug	19	1	663694	Plug, 3
3	1	678270	Check Valve	20	2	673064	● Spool
4	2	6038929	Check Valve - PO	21	1	673063	● Shoulder Screw
5	2	667494	Fitting	22	1	6095	● Nut
6	2	2840	■ O-Ring	23	2	673098	Spring
7	2	667491	Sleeve	24	1	673271	Plug
8	2	667492	Poppet	25	1	609234	Plug
9	2	667487	Spring	26	1	6071506	Crossover Relief Valve
10	1	667488	● Spring	27	1	661347	■ Service Kit
11	1	215876	Crossover Relief Valve	28	2	667516	■ Service Kit
12	1	601377	Fitting, 8-8	29	3	682170	Service Kit
13	1	673271	Plug	30	1	667510	Service Kit
14	1	6043943	Valve Body	31	1	6025595	Service Kit
15	1	6045016	Relief Valve	32	2	673061	● Bushing
16	1	6035551	Relief Valve	33	2	673062	● Retaining Ring

■ Included in Service Kit 667513.

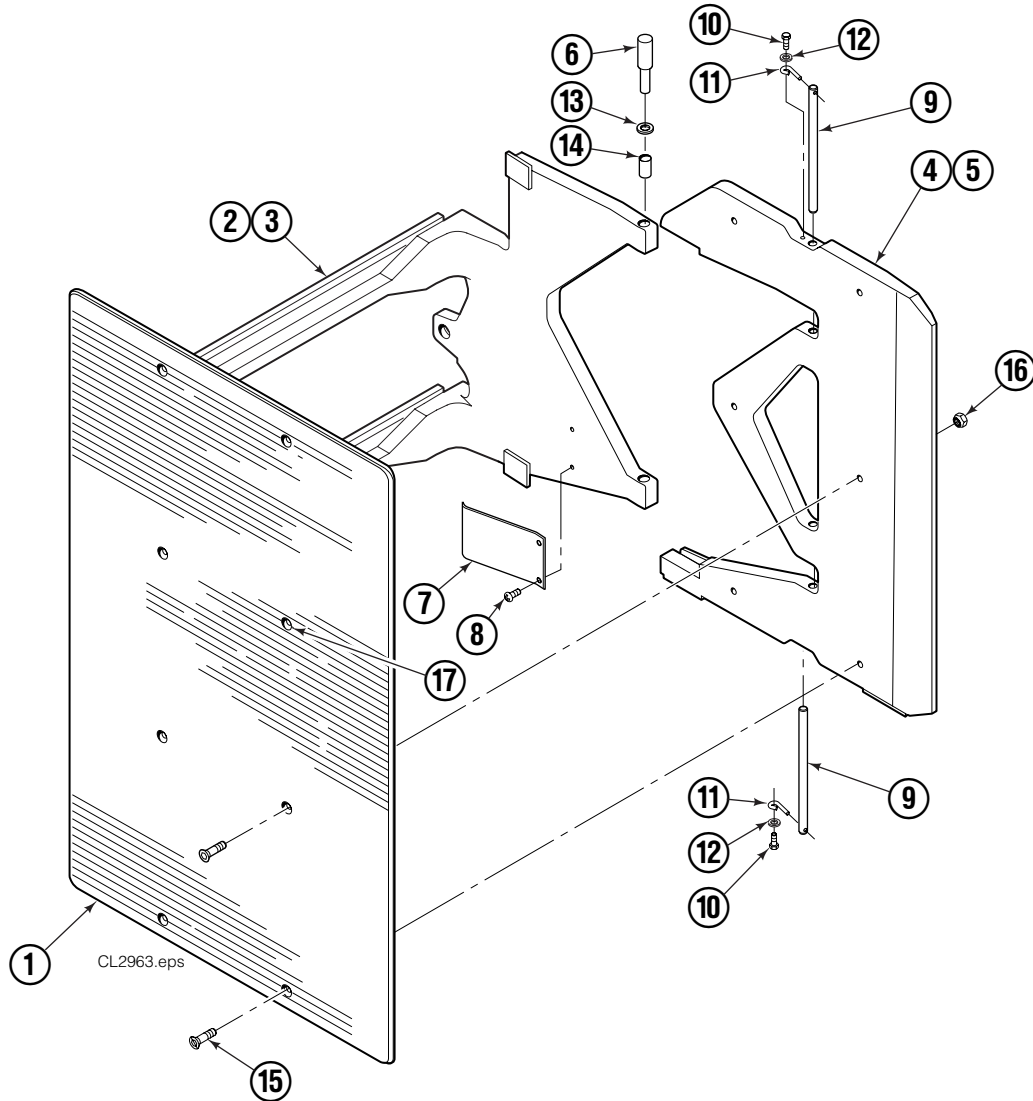
● Included in Low Flow Spool Assembly 679846.

Clamp Valve Assembly 6044017

Sideshift Crossover Relief & Sideshift Force Limitation



Contact Pad & Arm Group



15D							
REF	QTY	PART NO.	DESCRIPTION	REF	QTY	PART NO.	DESCRIPTION
1	2	6058279	Contact Pad - 34 x 54 ◆	10	4	787372	Capscrew, M8 x 20
2	1	6058273	Arm - LH	11	4	6020429	Eye Pin
3	1	6058276	Arm - LH	12	4	787398	Washer, M8
4	1	6058285	Stabilizer - LH	13	■	675620	Washer, M10
5	1	6058286	Stabilizer - RH	14	8	200590	Bushing
6	1	675626	Bushing Driver Tool	15	12	768706	Capscrew, M12 x 35
7	2	210154	Spring	16	12	773842	Nut, M12
8	4	203405	Capscrew, M10 x 16	17	▲	676841	Contact Pad Repair Kit
9	4	210161	Pin				

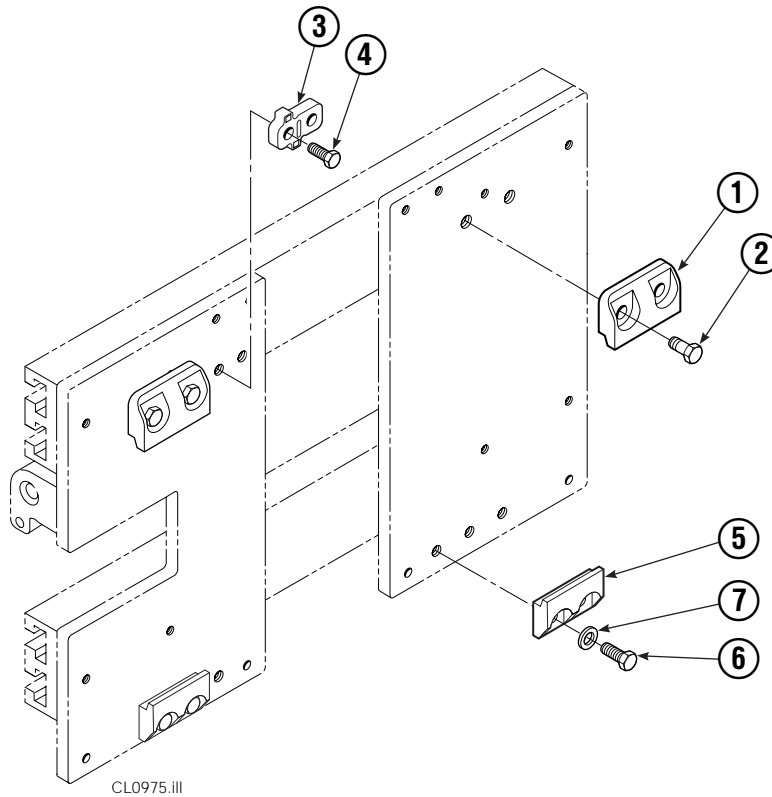
◆ Width x Height.

Reference: Common Parts 221511, Stabilizer Group 6058291.

■ Quantity as required.

▲ Repairs one hole.

Bolt-On Mounting Group



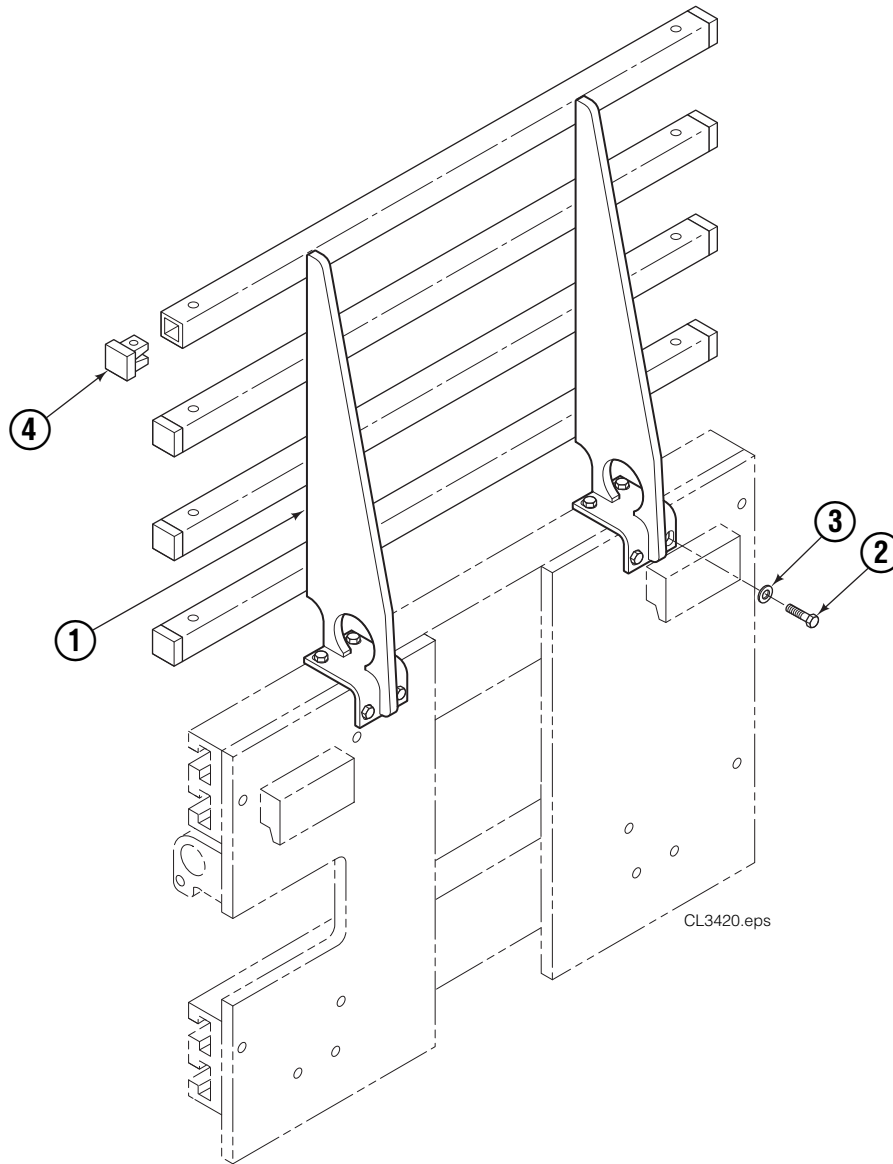
REF	QTY	ITA II	DESCRIPTION
		PART NO.	
		211162	Upper Mounting Group ▲
		211173	Lower Mounting Group ●
1	2	210491	Upper Hook
2	4	768577	Capscrew, M20 x 35
3	1	212999	Center Key
4	2	211129	Capscrew, M16 x 35
5	2	675968	Lower Hook
6	4	211128	Capscrew, M16 x 30
7	4	211179	Washer, M16

▲ Includes items 1–4.

● Includes items 5–7.

Reference: SK-6390.

Backrest Group



4-Tube Backrest Shown

15D			
REF	QTY	PART NO.	DESCRIPTION
		6058292	Backrest Group
1	1	6058271	Backrest
2	8	767810	Capscrew, M12 x 25
3	8	667910	Washer
4	10	674356	Tube End

