



# Parts Manual

---

Model \_\_\_\_\_ **Fork Positioner**

Serial Number \_\_\_\_\_ **55F-FPS-236**

---

**cascade**<sup>®</sup>  
**corporation**

**For Technical Assistance call:** 800-227-2233, Fax: 888-329-8207

**To Order Parts call:** 888-227-2233, Fax: 888-329-0234

**OR**

**Write:** Cascade Corporation, P.O. Box 20187, Portland, OR 97220

**Internet:** [www.cascorp.com](http://www.cascorp.com)

# Publications



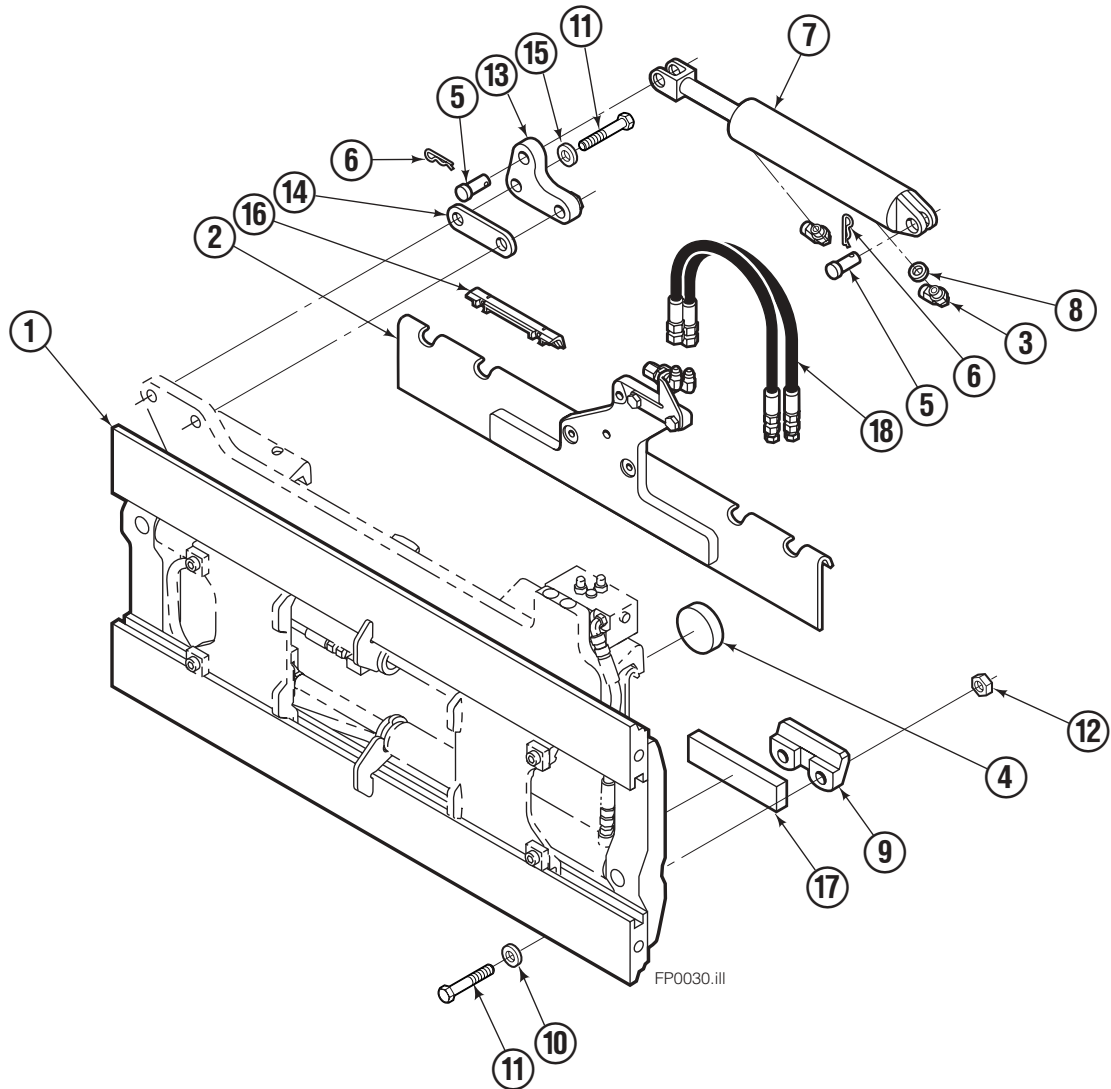
55F	
PART NO.	DESCRIPTION
	Parts Manual
208743	Service Manual
688261	Operators Guide
207363	Installation Instructions
680664	Servicing Cascade Cylinders-VHS
679929	Tool Catalog
673964	Literature Index Order Form

# Safety Decals



Part No. 665595  
(5) Places

# Mounting Group Sideshifting



Reference:  
BC-101  
SK-5981  
2S-3988

## 55F

REF	QTY	PART NO.	DESCRIPTION	REF	QTY	PART NO.	DESCRIPTION
		207326	Sideshifting Mounting-37" ■●	10	4	667225	Washer
1	1	395315	Frame-37" ■	11	6	766154	Capscrew, M16x2,0x40-8.8
2	1	207184	Anchor Bracket-37" ■	12	4	678990	Nut
3	2	601676	Fitting, 6-6	13	1	206909	Lug
4	1	206917	Center Bearing-49" only	14	1	206910	Spacer
5	2	678525	Clevis Pin	15	2	684355	Lockwasher
6	2	672726	Hairpin Cotter	16	2	204187	Upper Bearing
7	1	675548	Cylinder Assembly ◆	17	2	207209	Lower Bearing
8	1	675550	Washer (orifice .085)	18	2	207578	Hose
9	2	204186	Lower Hook				

- Carriage width.
- Includes items 2 through 17.
- ◆ See Cylinder page for parts breakdown.

# Sideshift Cylinder ITA Class III

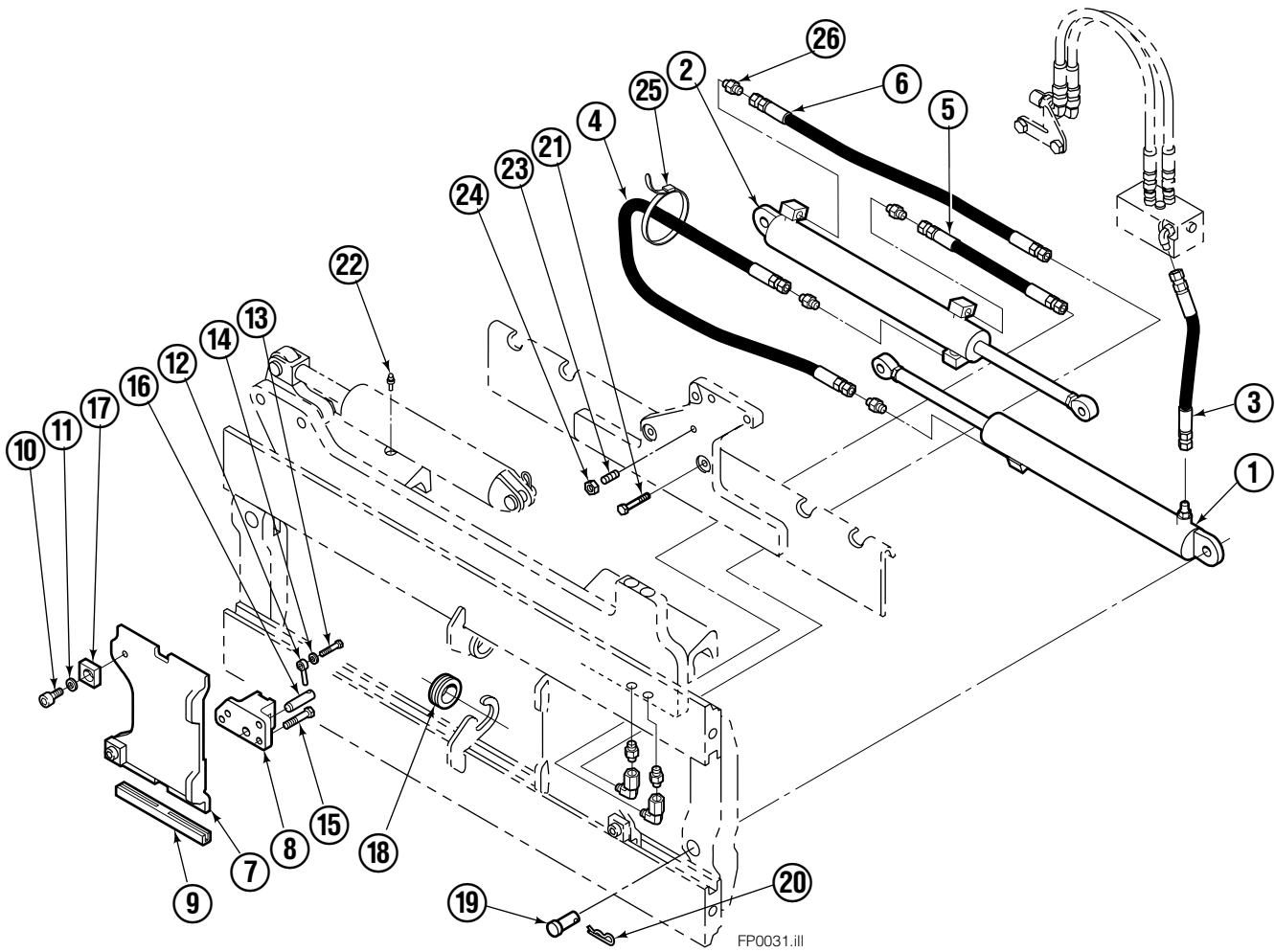


FP0126.ill

55E			
REF	QTY	PART NO.	DESCRIPTION
		675548	Cylinder Assembly
1	1	553857	Nut
2	1	662452	■ Seal
3	1	553501	Piston
4	1	636851	■ Wiper
5	1	638247	■ Back-up Ring
6	1	675550	Washer (orifice .085 in.)
7	1	675549	Shell
8	1	553449	Rod
9	1	2785	■ O-Ring
10	1	615128	■ Back-up Ring
11	1	553500	Retainer
12	1	553856	Retaining Ring
13	1	7202	Snap Ring
14	1	641835	■ Seal
		553861	Service Kit

■ Included in Service Kit 553861.

# Hydraulic/Fork Group



55F							
REF	QTY	PART NO.	DESCRIPTION	REF	QTY	PART NO.	DESCRIPTION
		207220	Hydraulic Group – 37 in. ■ ●	13	2	763169	Capscrew
		206912	Fork Group □	14	2	680217	Lockwasher
1	1	583943	Cylinder Assembly, LH ◆	15	8	206924	Capscrew
2	1	583951	Cylinder Assembly, RH ◆	16	2	206925	Pin
3	1	207563	Hose	17	4	207552	Block
4	1	207564	Hose	18	2	206916	Grommet
5	1	207565	Hose	19	2	206926	Clevis Pin
6	1	207566	Hose	20	2	207210	Hairpin Cotter
7	2	207208	Fork Carrier	21	2	768551	Capscrew
8	2	206914	Lug	22	2	7403	Grease Fitting
9	4	206915	Bearing	23	1	768753	Setscrew
10	4	206922	Capscrew	24	1	207211	Jam Nut
11	4	678991	Lockwasher	25	1	200008	Cable Tie
12	2	206923	Eyebolt	26	6	617915	Fitting, 4-4

■ Carriage width.

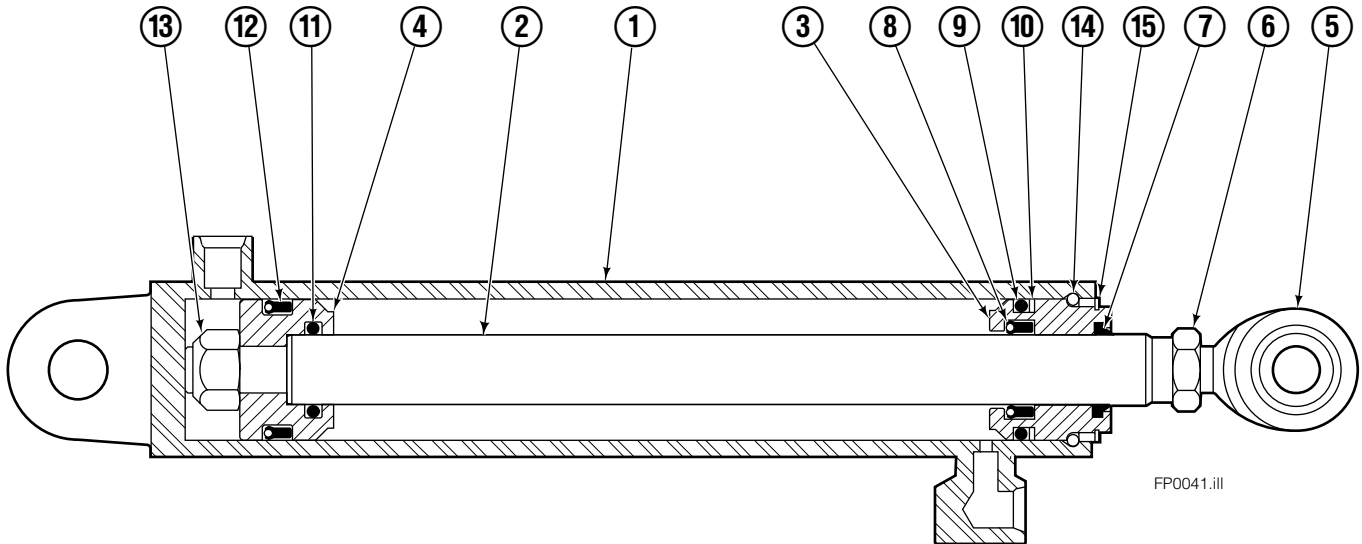
◆ See Cylinder page for parts breakdown.

Reference: BC-101, S-5981, S-3990.

● Includes items 1 through 6.

□ Includes items 7 through 26.

# Left Hand Cylinder



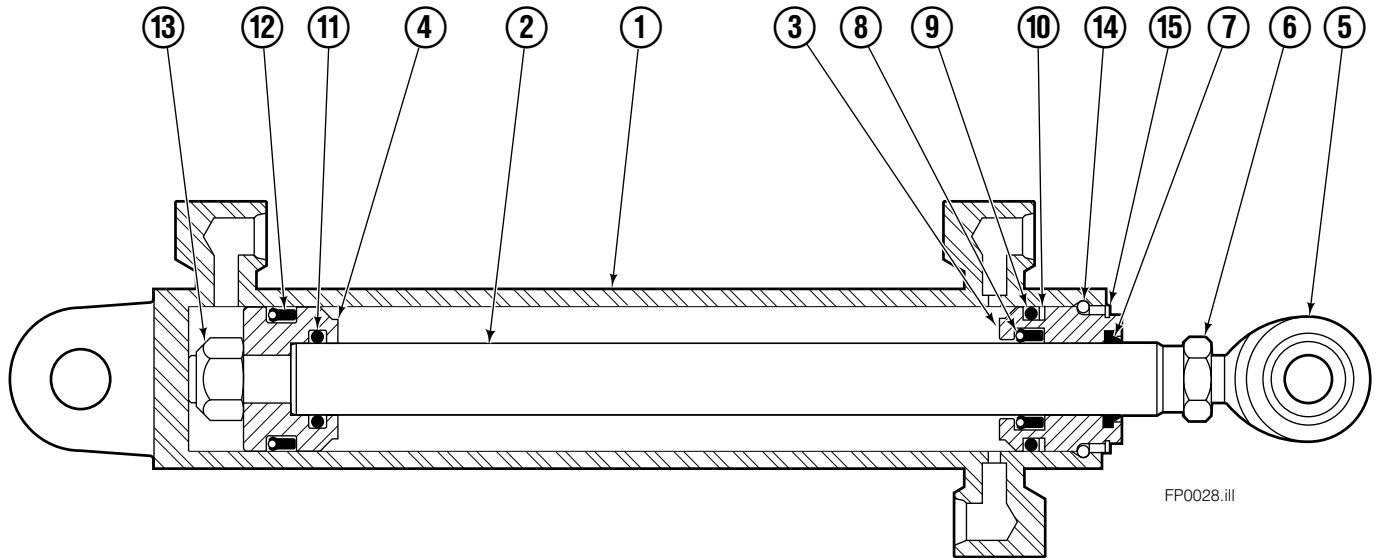
<b>55F</b>			
REF	QTY	PART NO.	DESCRIPTION
		583943	Cylinder Assembly – 37" ■
1	1	564168	Shell – 37" ■
2	1	564184	Rod – 37" ■
3	1	685664	Retainer
4	1	685665	Piston
5	1	564193	● Rod End
6	1	5718	● Nut
7	1	636850	● Rod Wiper
8	1	646540	● Rod Seal
9	1	2718	● O-Ring
10	1	615122	● Back-up Ring
11	1	2710	● O-Ring
12	1	663728	● Piston Seal
13	1	563462	Piston Nut
14	1	563916	Retaining Ring
15	1	3137	Snap Ring
		684827	Service Kit

■ Carriage width.

● Included in Service Kit 684827.

Reference: S-6140, S-6141.

# Right Hand Cylinder



## 55F

REF	QTY	PART NO.	DESCRIPTION
		583951	Cylinder Assembly - 37" ■
1	1	564176	Shell - 37" ■
2	1	564184	Rod - 37" ■
3	1	685664	Retainer
4	1	685665	Piston
5	1	564193	● Rod End
6	1	5718	● Nut
7	1	636850	● Rod Wiper
8	1	646540	● Rod Seal
9	1	2718	● O-Ring
10	1	615122	● Back-up Ring
11	1	2710	● O-Ring
12	1	663728	● Piston Seal
13	1	563462	Piston Nut
14	1	563916	Retaining Ring
15	1	3137	Snap Ring
		684827	Service Kit

■ Carriage width.

● Included in Service Kit 684827.

Reference: S-6138, S-6139.

# Flow Divider Group

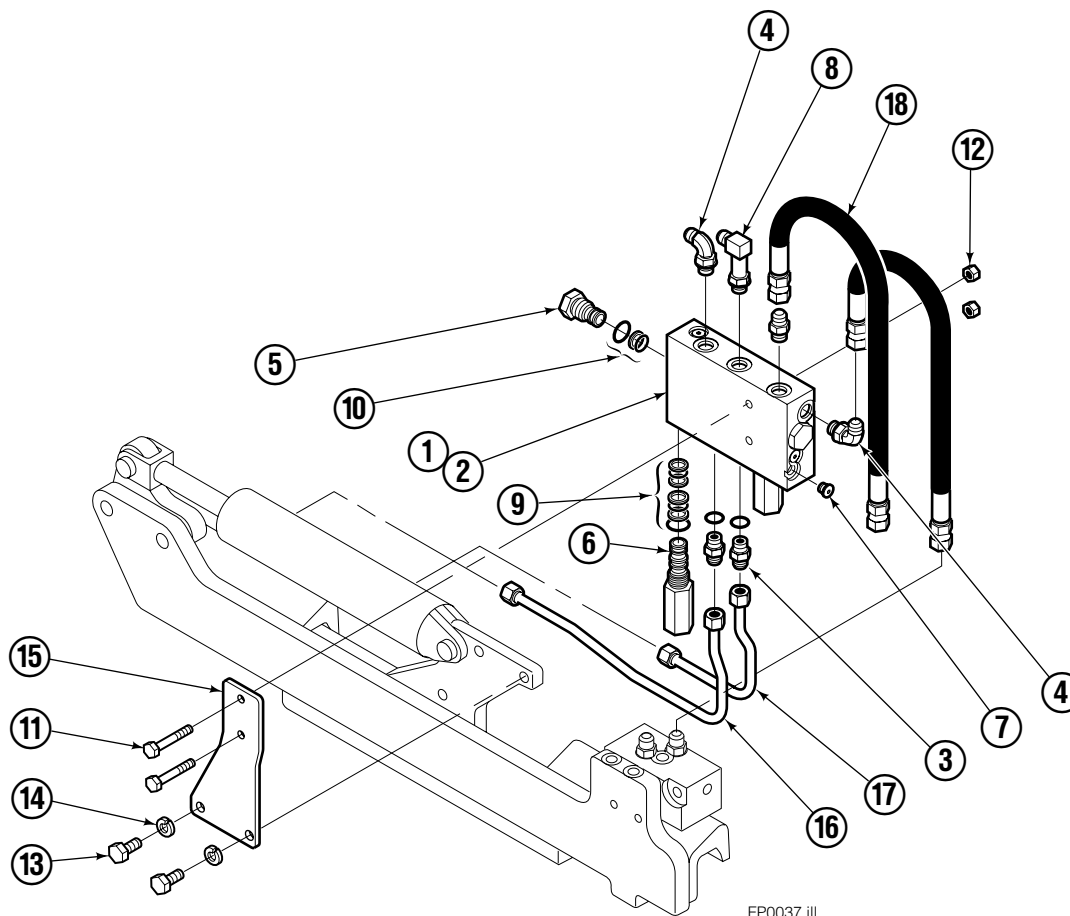


FP0035.iii

55F			
REF	QTY	PART NO.	DESCRIPTION
		206921	Flow Divider Group
1	1	206919	Valve ■
2	1	206918	Valve Body
3	1	207301	Cartridge-Combiner
4	2	663694	Fitting, 3
5	2	617915	Fitting, 4-4
6	1	617917	Fitting, 4-4
7	1	679992	Service Kit
8	3	685105	Capscrew
9	3	678993	Lockwasher
10	2	207300	O-Ring
11	6	617915	Fitting, 4-4
12	2	617641	Fitting, 4-4
13	2	609234	Fitting, 4-4
14	1	617916	Fitting, 4-4

■ Includes items 1 through 7.

# Sequence Valve Group



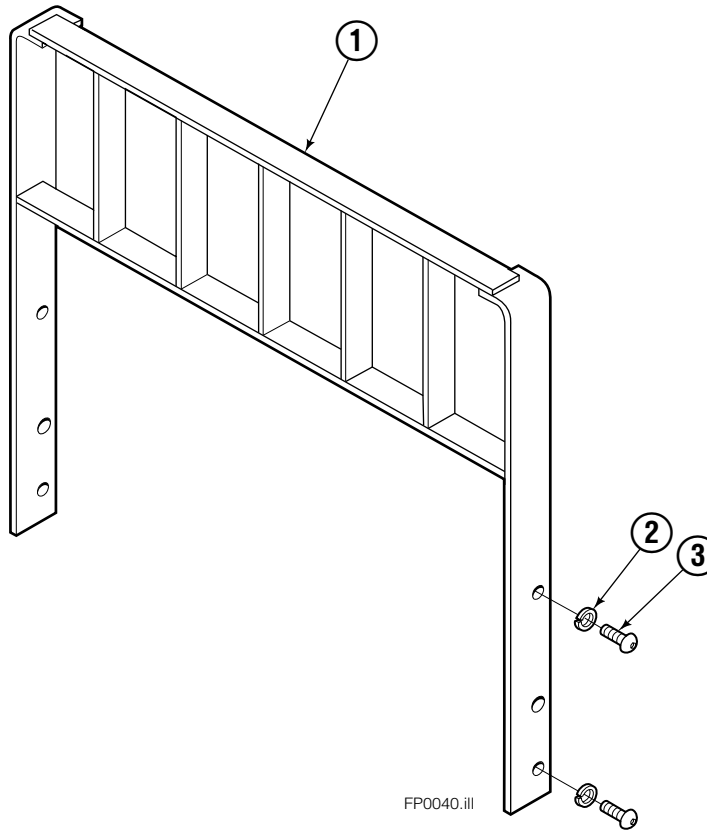
FP0037.ill

## 55F

REF	QTY	PART NO.	DESCRIPTION
		207307	Sequence Valve Group
1	1	207305	Sequence Valve ■
2	1	207306	Valve Body
3	3	604511	Fitting, 6-6
4	2	601676	Fitting, 6-6
5	2	205134	Cartridge – Check Valve
6	2	686503	Cartridge – Sequence Valve
7	5	663694	Fitting, 3
8	1	207304	Fitting, 6-6
9	2	679991	Service Kit
10	2	682170	Service Kit
11	2	768528	Capscrew, M8x1,25x55-8.8
12	2	786881	Lock Nut
13	2	681370	Capscrew
14	2	681238	Lockwasher
15	1	207308	Bracket
16	1	207309	Tube
17	1	207310	Tube
18	2	208609	Hose

■ Includes items 1 through 9.

# Backrest



<b>55F</b>			
REF	QTY	PART NO.	DESCRIPTION
1	1	207128	Backrest – 37" x 48" ■
2	4	684586	Lockwasher
3	4	200173	Capscrew

■ Width by Height.  
Reference: 3S-3979.



**Do you have questions you need answered right now?** Call your nearest Cascade Parts Department. Visit us online at [www.cascorp.com](http://www.cascorp.com)

**Cascade Corporation**  
2501 Sheridan Avenue  
Springfield, OH 45505  
Tel: 888-CASCADE (227-2233)  
FAX: 888-329-0234

**Cascade Canada Inc.**  
5570 Timberlea Blvd.  
Mississauga, Ontario  
Canada L4W-4M6  
Tel: 905-629-7777  
FAX: 905-629-7785

**Cascade GmbH**  
D-41199 Monchengladbach  
Klosterhofweg 52  
Germany  
Tel: 49-216-668230  
FAX: 49-216-6682323

**Cascade Finland**  
Albert Petreliuksenkatu 3  
01370 Vantaa  
Finland  
Tel: 358-9-836-1925  
FAX: 358-9-836-1935

**Cascade N.V.  
European Headquarters**  
P.O. Box 3009  
1300 El Almere  
Damluisweg 56  
1332 ED Almere  
The Netherlands  
Tel: 31-36-5492911  
FAX: 31-36-5492964

**Cascade N.V.  
Benelux Sales and Service**  
P.O. Box 3009  
1300 El Almere  
Damluisweg 56  
1332 ED Almere  
The Netherlands  
Tel: 31-36-5492950  
FAX: 31-36-5492974

**Cascade (UK) Ltd.**  
15, Orgreave Crescent  
Dore House Industrial Estate  
Handsworth  
Sheffield S13 9NQ  
England  
Tel: 742-697524  
FAX: 742-695121

**Cascade Scandinavia AB**  
Box 124  
Hammarvägen 10  
567 23 Vaggeryd  
Sweden  
Tel: 42-0-393-36950  
FAX: 46-0-393-36959

**Cascade Norway**  
Østerliveien 37A  
1153 Oslo  
Norway  
Tel: 47-22-743160  
FAX: 47-22-743157

**Cascade France S.A.R.L.**  
1D Rue De Charaintru  
BP 18, 91360 Epinay-Sur-Orge  
Morangis Cedex, France  
Tel: 33-1- 64547500  
FAX: 33-1-64547501

**Cascade Hispania S.A.**  
Carrer 5 Sector C  
Zona Franca Duanera  
Poligono de la Zon Franca  
08040 Barcelona, Spain  
Office No. 256  
Tel: 93-264-07-30  
FAX: 93-264-07-31

**Cascade Japan Ltd.**  
5-5-41,  
Torikai Kami  
Settsu, Osaka  
Japan, 566  
Tel: 81-726-53-3490  
FAX: 81-726-53-3497

**Cascade Korea**  
108B, Namdong Ind Complex  
658-3 Gojan-Dong  
Namdong-Gu  
Inchon, 405-310 Korea  
Tel: 82-32-821-2051  
FAX: 82-32-821-2055

**Cascade Australia**  
1445 Ipswich Road  
Rocklea, QLD 4106  
Australia  
Tel: 1-800227-223  
FAX: (07) 3373-7333

**Cascade New Zealand**  
15 Ra Ora Drive  
East Tamaki, Auckland  
New Zealand  
Tel: 9-273-9136  
FAX: 9-273-9137

**Cascade (Africa) Pty. Ltd.**  
P.O. Box 625, Isando 1600  
60A Steel Road  
Sparton, Kempton Park  
South Africa  
Tel: 27-11-975-9240  
FAX: 27-11-394-1147

**Cascade-Xiamen**  
No. 668 Yangguang Rd.  
Xinyang Industrial Zone  
Haicang, Xiamen City  
Fujian Province  
P.R. China 361026  
Tel: 86-592-651-2500  
FAX: 86-592-651-2571

**Cascade (Singapore)  
Trading Co.**  
Four Seasons Park  
Autumn Block - Apt. 1802  
12 Cuscaden Walk  
Singapore  
Tel: 65-834-1935  
FAX: 65-834-1936

