



# Parts Manual

---

Model 55G Rotator

Catalog Number 55G-RRB-15A R4

---

**cascade**®  
**corporation**

**For Technical Assistance call:** 800-227-2233, Fax: 888-329-8207

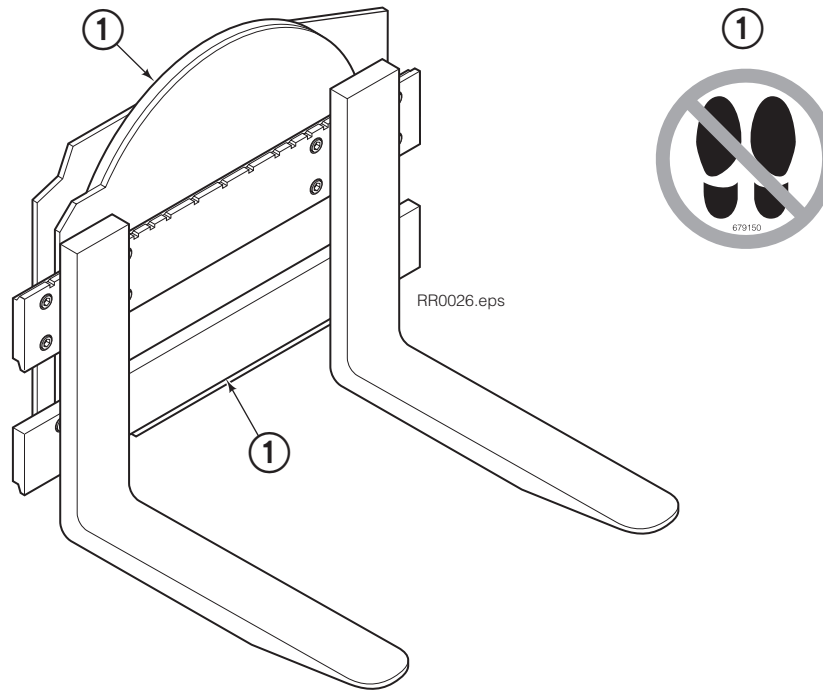
**To Order Parts call:** 888-227-2233, Fax: 888-329-0234

**OR**

**Write:** Cascade Corporation, P.O. Box 20187, Portland, OR 97220

**Internet:** [www.cascorp.com](http://www.cascorp.com)

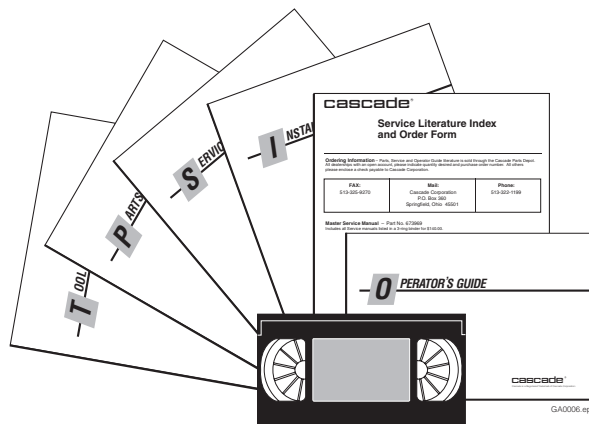
# Safety Decals



RR0026.eps

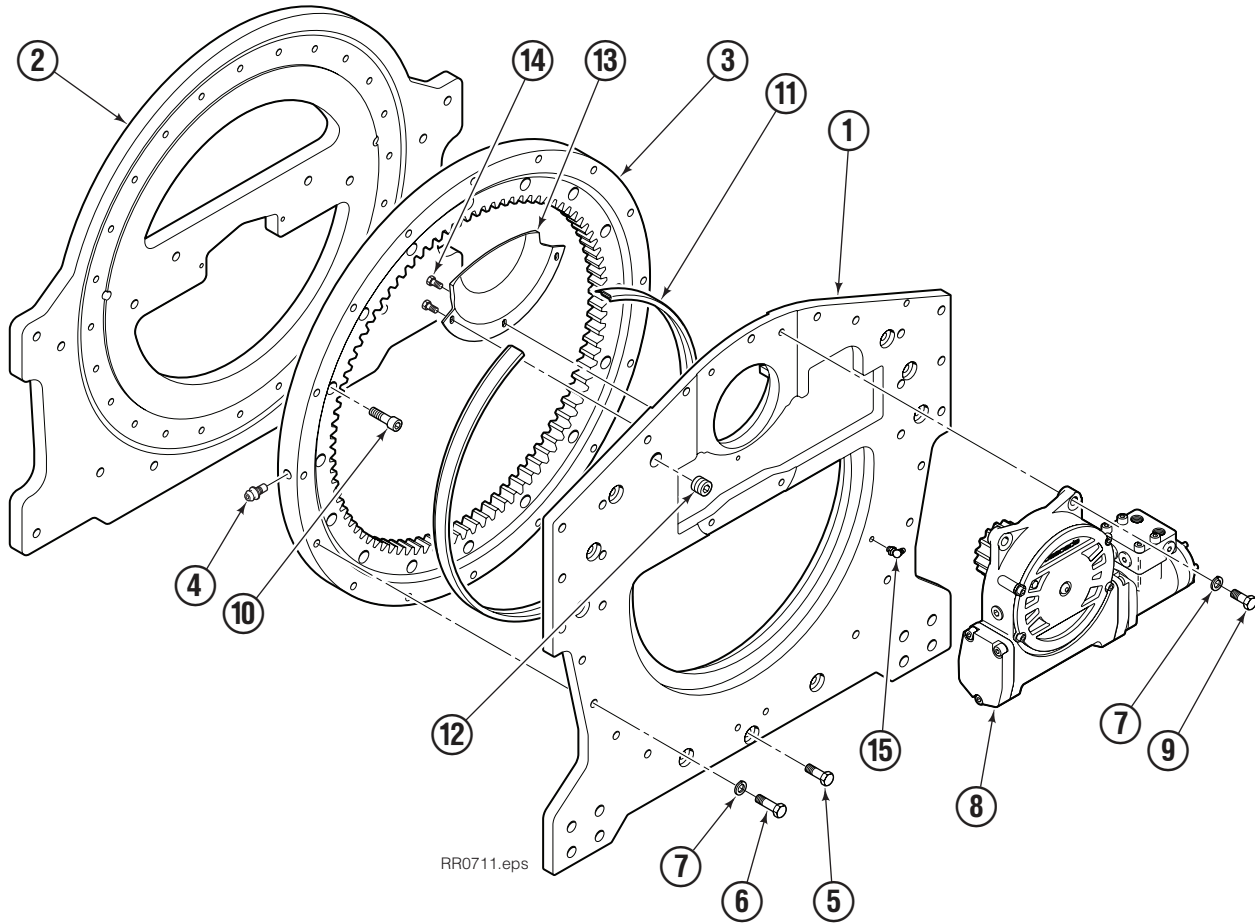
G Rotator			
REF	QTY	PART NO.	DESCRIPTION
1	1	679150	No Step Decal

# Publications



G Rotator	
6073002	Installation Instructions
672714	Operator Guide
6073955	Service Manual
679929	Tool Catalog
673964	Literature Index Order Form

# Rotator Group



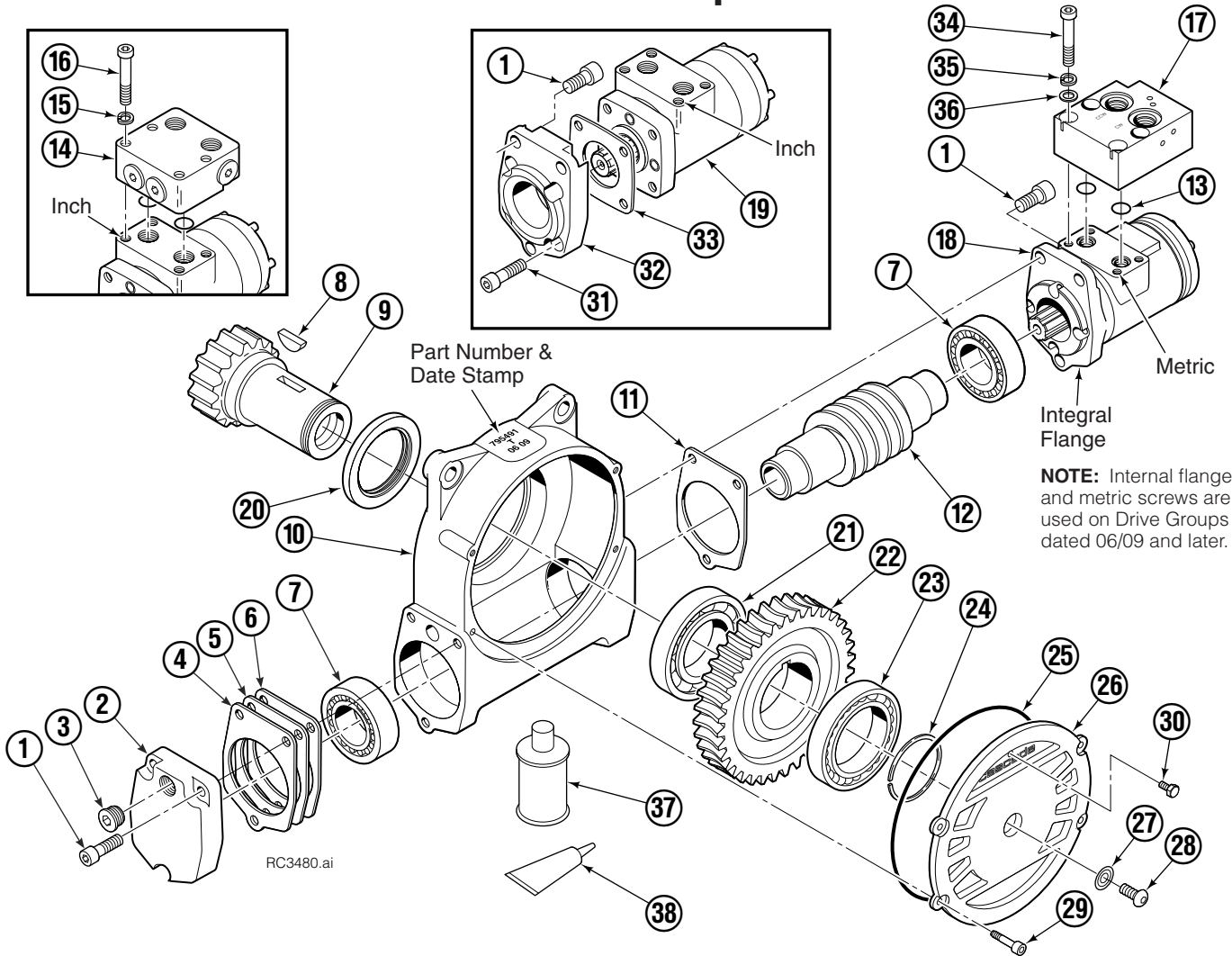
RR0711.eps

55G			
REF	QTY	PART NO.	DESCRIPTION
		6052600	Rotator Group (R6)
1	1	6059682	Baseplate
2	1	6050782	Faceplate
3	1	213761	Bearing Assembly
4	1	7401	Grease Fitting
5	9	6057357	Capscrew, M12 x 45
6	13	213633	Capscrew, M12 x 55
7	17	683822	Lockwasher, M12
8	1	368073	Drive Group ♦
9	4	763021	Capscrew, M12 x 30
10	24	769572	Capscrew, M12 x 35
11	1	6080266	Seal
12	1	6605	Plug
13	1	6077615	Cover Plate
14	3	767961	Capscrew, M8 x 16
15	1	7406	Grease Fitting

♦ See Drive Group page for parts breakdown.

Reference: Common Parts 6059824-R6, Fastener Kit 6057411.

# Drive Group



REF	QTY	PART NO.	DESCRIPTION	REF	QTY	PART NO.	DESCRIPTION
		368073	Drive Group with 2.2 c.i. Motor	20	1	3014870	Seal
1	6	769570	Capscrew, M12 x 25	21	1	6033892	Bearing ★
2	1	676855	Cover	22	1	675609	Worm Gear
3	1	604510	Fitting, 6	23	1	670581	Bearing
4	●	670574	Shim – .010" (brown)	24	1	7214	Snap Ring
5	●	671757	Shim – .015" (pink)	25	1	643423	O-Ring
6	●	671758	Shim – .020" (yellow)	26	1	775552	Cover
7	2	670579	Bearing	27	1	783609	Seal
8	1	670582	Key	28	1	783608	Capscrew, M10 x 16
9	1	670506	Pinion	29	4	200882	Capscrew, M8 x 20
10	1	775551	Housing	30	1	644010	Relief Fitting
11	1	686465	Gasket	31	4	4468	Capscrew, 3/8 NC x .75
12	1	675608	Worm	32	1	775553	Adapter
13	2	2705	O-Ring	33	1	670575	Gasket
14	1	670549	Check Valve ◆	34	4	768798	Capscrew, M8 x 40
15	4	6444	Lockwasher, 5/16	35	4	787384	Lockwasher, M8
16	4	607059	Capscrew, 5/16 NC x 1.75	36	4	221494	Washer, M8
17	1	6063316	Check Valve ◆	37	1	656300	Gear Box Lube – 48 oz.
18	1	6097946	Drive Motor – 2.2 c.i. ■	38	1	668184	Sealant
19	1	206406	Drive Motor – 2.2 c.i. ■			670578	Shim Service Kit (items 4-6,11,25,38)

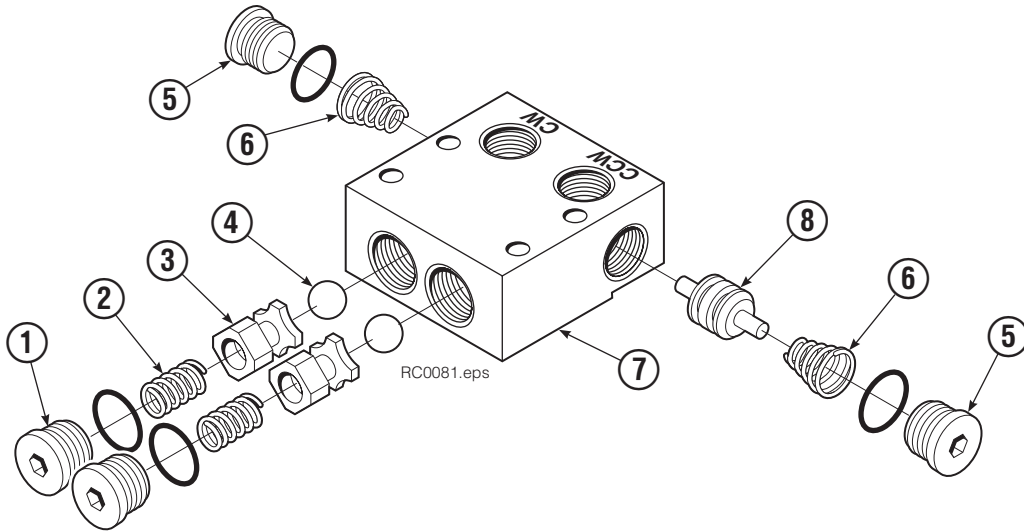
● Quantity as required.

◆ See Valve page for parts breakdown.

■ See Drive Motor page for parts breakdown.

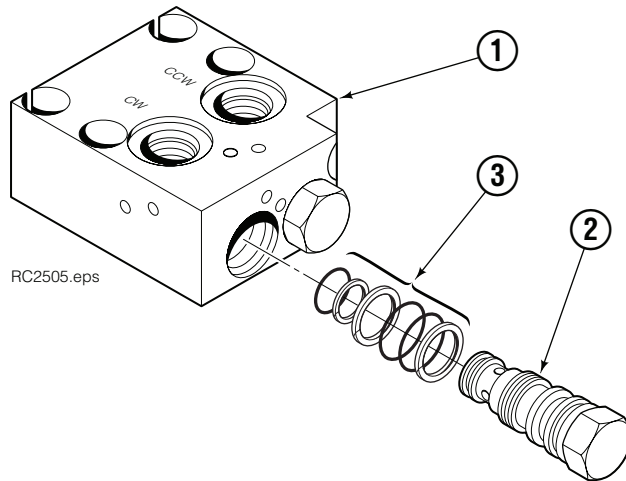
★ For service replacement use Bearing 670580.

# Check Valve



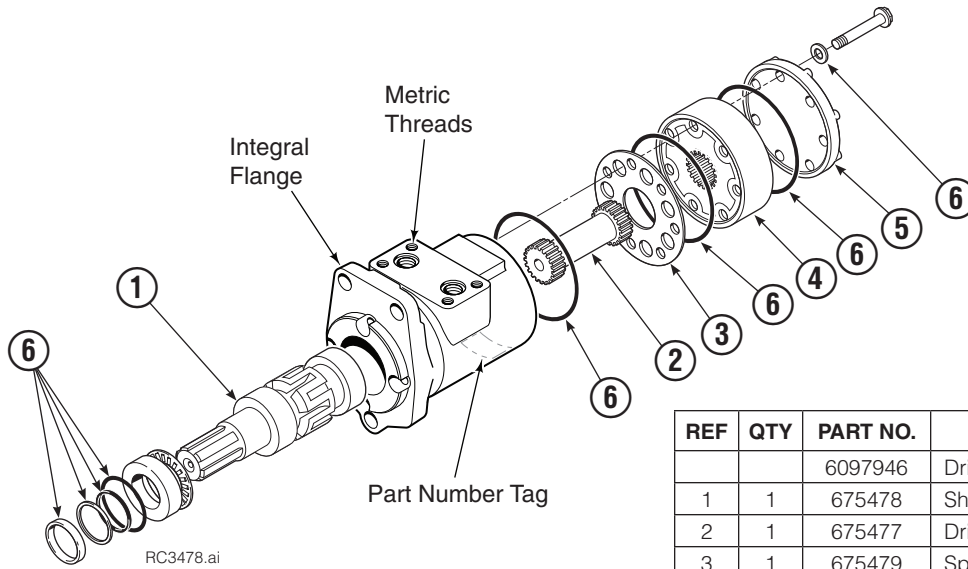
REF	QTY	PART NO.	DESCRIPTION
		670549	Check Valve Assembly ★
1	2	609453	Fitting, 10
2	2	670552	Spring
3	2	670551	Guide
4	2	7020	Ball
5	2	602580	Fitting, 8
6	2	673989	Spring
7	1	670550	Body ★
8	1	670553	Spool

★ No longer available, replaced by 6063316 Valve Assembly.



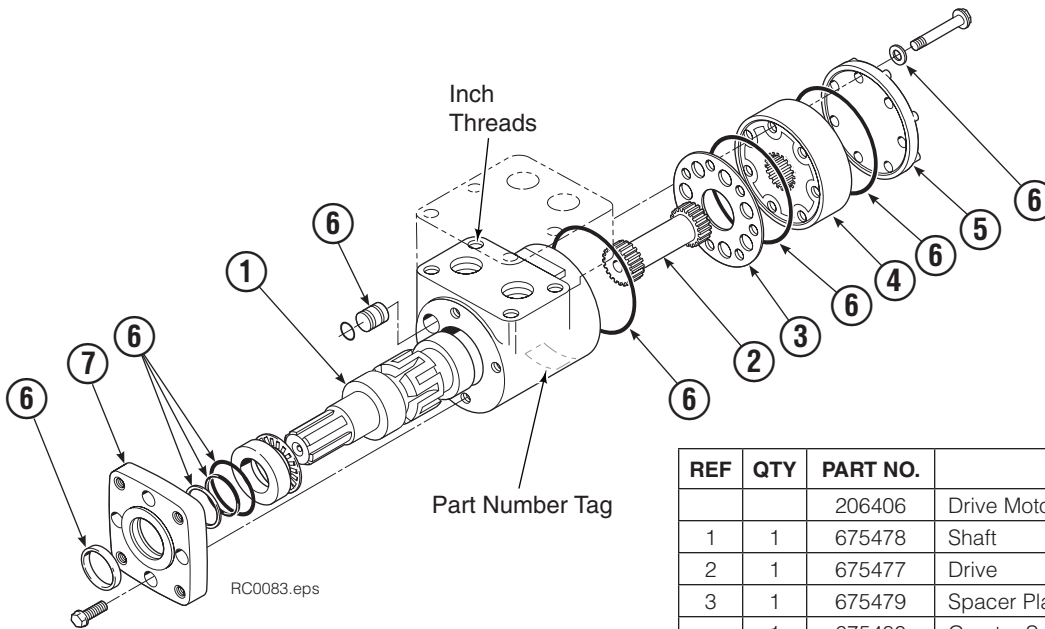
REF	QTY	PART NO.	DESCRIPTION
		6063316	Check Valve Assembly
1	1	6063282	Valve Body
2	2	6038929	Check Valve – PO
3	2	667516	Service Kit

# Drive Motor



REF	QTY	PART NO.	DESCRIPTION
		6097946	Drive Motor – 2.2 c.i.
1	1	675478	Shaft
2	1	675477	Drive
3	1	675479	Spacer Plate
4	1	685074	Gerotor Set
5	1	675482	End Cap
6	1	206405	Service Kit ●

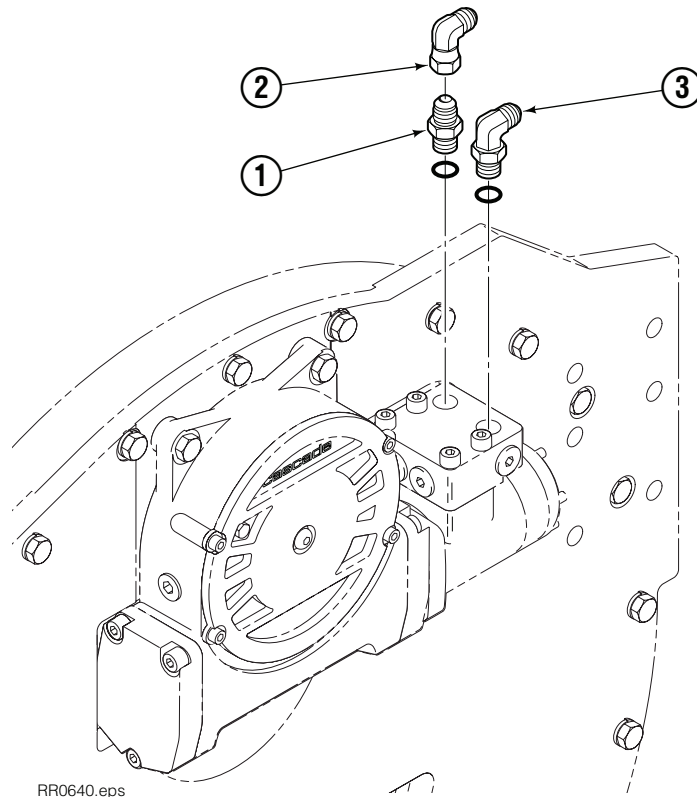
● Compatible with water glycol based hydraulic fluids.  
 Cascade provides service replacement parts for the listed parts only. Due to cost, if other parts need replacement, the complete drive motor should be replaced.



REF	QTY	PART NO.	DESCRIPTION
		206406	Drive Motor – 2.2 c.i.
1	1	675478	Shaft
2	1	675477	Drive
3	1	675479	Spacer Plate
4	1	675480	Gerotor Set (101-1768-007) ■
	1	685075	Gerotor Set (101-1768-009) ■
5	1	675482	End Cap
6	1	206405	Service Kit ●
7	1	685089	Flange (101-1768-007) ■
	1	685090	Flange (101-1768-009) ■

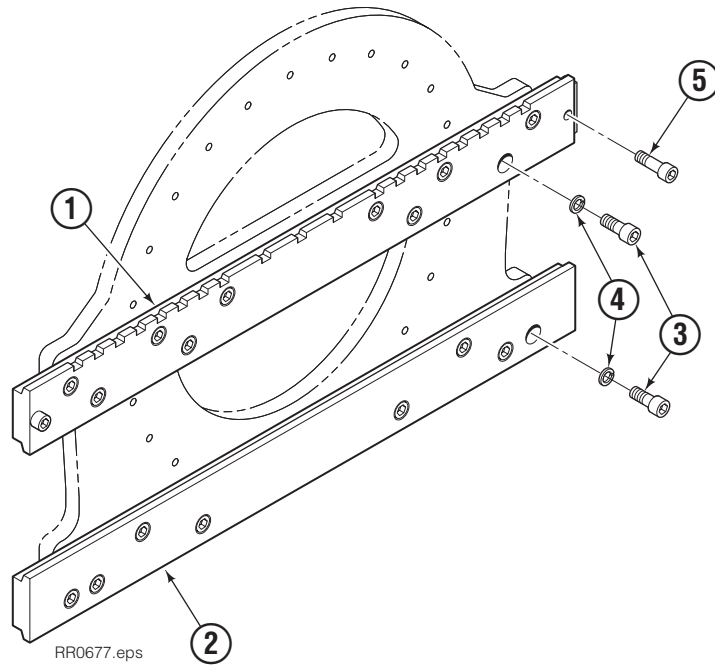
■ See Nameplate under valve for correct part number of Gerotor Set and Flange.  
 ● Compatible with water glycol based hydraulic fluids.  
 Cascade provides service replacement parts for the listed parts only. Due to cost, if other parts need replacement, the complete drive motor should be replaced.

# Fitting Group



REF	QTY	PART NO.	DESCRIPTION
		212367	Fitting Group
1	1	601377	Fitting, 8-8
2	1	605761	Fitting, 8-8
3	1	601250	Fitting, 8-8

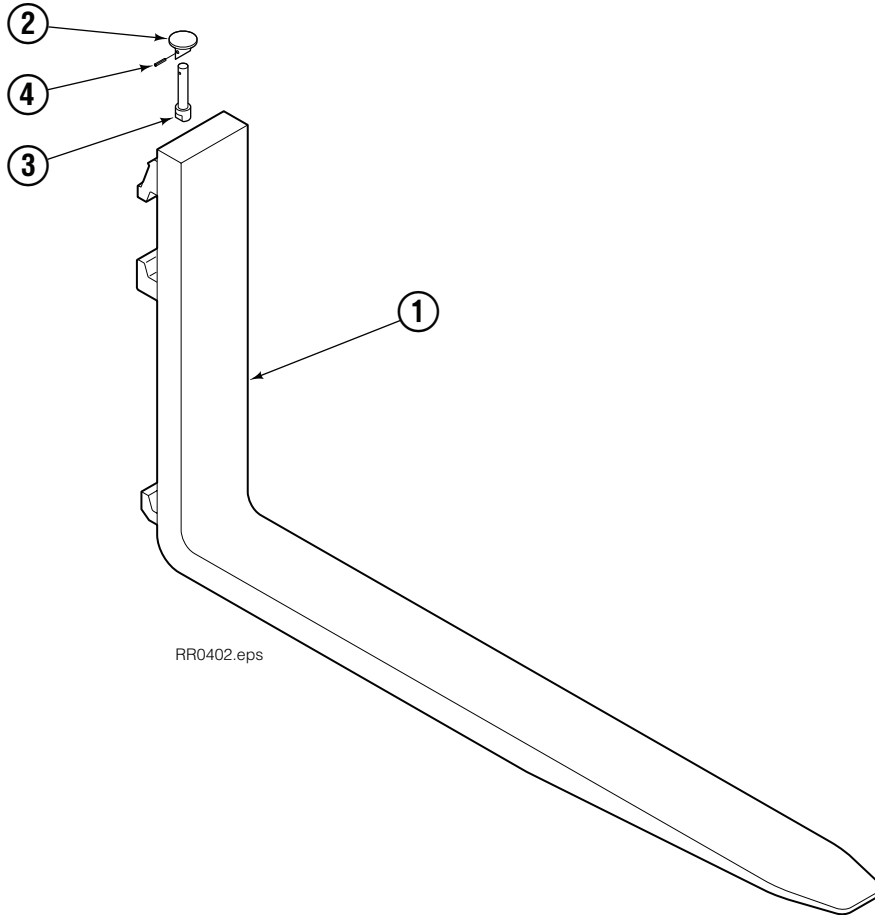
# Fork Bar Group



RR0677.eps

55G			
REF	QTY	PART NO.	DESCRIPTION
		6065833	Fork Bar Group
1	1	6062891	Upper Bar
2	1	6065772	Lower Bar
3	18	769574	Capscrew, M16 x 35
4	18	678992	Lockwasher, M16
5	2	775443	Capscrew, M16 x 25

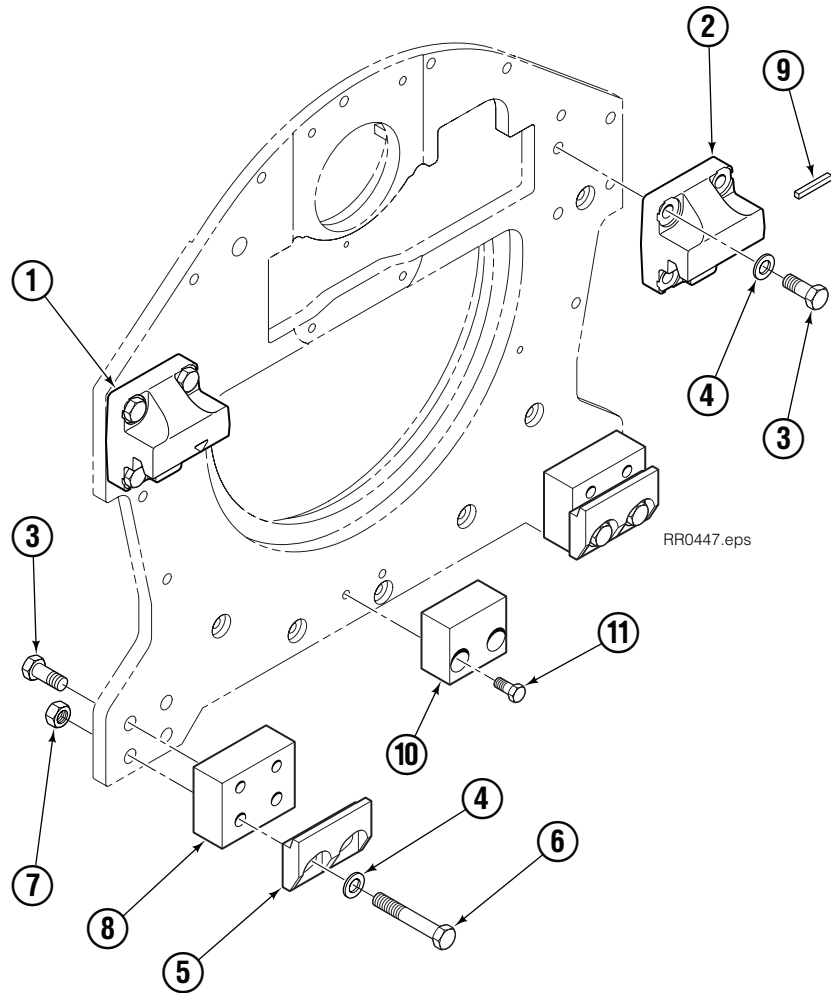
# Fork Group



55G			
REF	QTY	PART NO.	DESCRIPTION
		6052637	Fork Assembly
1	1	6052632	Fork
2	1	7000209	Knob ◆
3	1	7000194	Pin ◆
4	1	7000210	Coiled Spring Pin ◆

◆ Included in Pin Kit 7000031.

# Bolt-On Mounting Group



## Class II, 0°

REF	QTY	PART NO.	DESCRIPTION
		6051543	Mounting Group
1	1	670523	Upper Hook – LH
2	1	670524	Upper Hook – RH
3	12	766154	Capscrew, M16 x 40
4	12	217637	Washer, M16
5	2	675968	Lower Hook
6	4	765612	Capscrew, M16 x 100
7	4	781534	Nut, M16
8	2	781400	Spacer
9	1	669344	Stop Block Kit
10	1	680683	Center Spacer
11	2	767810	Capscrew, M12 x 25

# Recommended Spare Parts List

55G-RRB-15A R4 Rotator				
PART NUMBER	DESCRIPTION	ATTACHMENTS SERVICED		
		1-5	6-19	20-50
	<b>DRIVE GROUP</b>			
675608	Worm	0	1	2
670506	Pinion	0	1	2
670581	Bearing	0	1	1
7214	Snap Ring	2	2	4
643423	O-Ring	1	2	2
206406	Drive Motor ■	0	1	1
6097946	Drive Motor ■	0	1	1
206405	Drive Motor Service Kit	1	1	2
668184	Sealant	1	2	2
670580	Bearing	1	1	2
670579	Bearing	2	4	4
656300	Gear Box Lube	1	2	2
	<b>CHECK VALVE</b>			
670549	Check Valve Assembly	0	1	1
6063316	Check Valve Assembly	0	1	1
	<b>STOP KIT</b>			
669344	Stop Kit	1	2	2
	<b>PAINT</b>			
668209	12 oz. Aerosol Can - Yellow	1	1	1
	<b>PUBLICATIONS</b>			
	Parts Manual	1	1	1
6073955	Service Manual	1	1	1
672714	Operator's Guide	1	1	1
6073002	Installation Instructions	1	1	1
679929	Tool Catalog	1	1	1

■ See part number and date stamp on Housing.

**Do you have questions you need answered right now?** Call your nearest Cascade Parts Department. Visit us online at [www.cascorp.com](http://www.cascorp.com)

**Cascade Corporation  
U.S. Headquarters**  
2201 NE 201st  
Fairview, OR 97024-9718  
Tel: 800-CASCADE (227-2233)  
FAX: 888-329-8207

**Cascade Canada Inc.**  
5570 Timberlea Blvd.  
Mississauga, Ontario  
Canada L4W-4M6  
Tel: 905-629-7777  
FAX: 905-629-7785

**Cascade GmbH**  
Niederwippekühl 1  
58579 Schalksmühle  
Germany  
Tel: 02355-50900  
FAX: 02355-509020

**Cascade Finland**  
A. Petreliuksenkatu 3  
01370 Vantaa  
Finland  
Tel: 09-8361925  
FAX: 09-8361935

**Cascade Italia S.R.L.  
European Headquarters**  
Via Dell'Artigianato 1  
37030 Vago di Lavagno (VR)  
Italy  
Tel: 39-045-8989111  
FAX: 39-045-8989160

**Cascade N.V.  
Benelux Sales**  
Damsluisweg 56  
PO Box 3009  
1300 El Almere  
The Netherlands  
Tel: 036-5492950  
FAX: 036-5492974

**Cascade Kenhar Ltd.**  
3 Kelbrook Road  
Parkhouse Ind. Estate  
Openshaw,  
Manchester M11 2DD  
England  
Tel: 0800-243015  
FAX: 0161-4384055

**Sales Scotland  
Macade Systems Ltd.**  
18 Melford Road  
Righead Ind. Estate  
Bellshill ML4 3LR  
Scotland  
Tel: 01698-845777  
FAX: 01698-845888

**Cascade Scandinavia AB**  
Hammarvägen 10  
PO Box 124  
S-56723 Vaggeryd  
Sweden  
Tel: 039-336950  
FAX: 039-336959

**Cascade France  
S.A.R.L. MHP**  
1D Rue De Charaintru BP 18,  
91360 Epinay-Sur-Orge  
France  
Tel: 01-6454-7500  
FAX: 01-6454-7501

**Cascade Hispania S.A.**  
Calle Mogoda, 66-68 Nave 8  
Pol Ind Can Salvatella  
08210 Barberá del Vallés -  
Barcelona, Spain  
Tel: +34 93719 7530  
Fax: +34 93719 75 31

**Cascade (Africa) Pty. Ltd.**  
PO Box 625, Isando 1600  
60A Steel Road  
Sparton, Kempton Park  
South Africa  
Tel: 27-11-975-9240  
FAX: 27-11-394-1147

**Movimenta Lda.**  
Parque Industrial  
Vale do Alecrim, Lote 108  
2950-403 Palmela  
Portugal  
Tel: 351-212387340  
FAX: 351-212387349

**Sales Switzerland  
Fahrzeugbedarf**  
8810, Horgen  
Switzerland  
Tel: 01-7279797  
FAX: 01-7279798

**Sales Poland**  
Targowa 35/61  
03-728 Warszawa  
Tel: 022-619 00 49  
FAX: 022-619 00 49  
Mobile Tel: 0501-27 29 55

**Sales Russia**  
EMCG Material Handling  
Equipment  
Moscow  
Tel: 095-795-2400  
FAX: 095-795-2475  
Email: [emcg@emcg.ru](mailto:emcg@emcg.ru)

**Cascade Japan Ltd.**  
2-23, 2-Chome,  
Kukuchi Nishimachi  
Amagasaki, Hyogo  
Japan, 661-0978  
Tel: 81-6-6420-9771  
FAX: 81-6-6420-9777

**Cascade Korea**  
121B 9L Namdong Ind.  
Complex, 691-8 Gojan-Dong  
Namdong-Ku  
Inchon, 405-310 Korea  
Tel: 82-32-821-2051  
FAX: 82-32-821-2055

**Cascade Australia**  
1445 Ipswich Road  
Rocklea, QLD 4107  
Australia  
Tel: 1-800-227-223  
FAX: 617-3373-7333

**Cascade New Zealand**  
15 Ra Ora Drive  
East Tamaki, Auckland  
New Zealand  
Tel: 64-9-273-9136  
FAX: 64-9-273-9137

**Cascade-Xiamen**  
No. 668 Yangguang Rd.  
Xinyang Industrial Zone  
Haicang, Xiamen City  
Fujian Province  
P.R. China 361026  
Tel: 86-592-651-2500  
FAX: 86-592-651-2571

**Sunstream Industries  
Pte Ltd.**  
No. 3 Tuas Link 1  
2263  
Singapore  
Tel: 65-6863-3488  
FAX: 65-6863-1368

**Cascade do Brasil  
LTDA**  
Rua João Guerra, 134  
Macuco, Santos - SP  
Brasil 11015-130  
Tel: 55-13-2105-8800  
Fax: 55-13-2105-8899

**Cascade India Material  
Handling Private Limited**  
No 9, Global Trade Centre  
1/1 Rambaugh Colony  
Lal Bahadur Shastri Road,  
Navi Peth, Pune 411 030  
(Maharashtra) India  
Phone: 020 2433 5460/5490  
Fax: 020 2433 0881

