

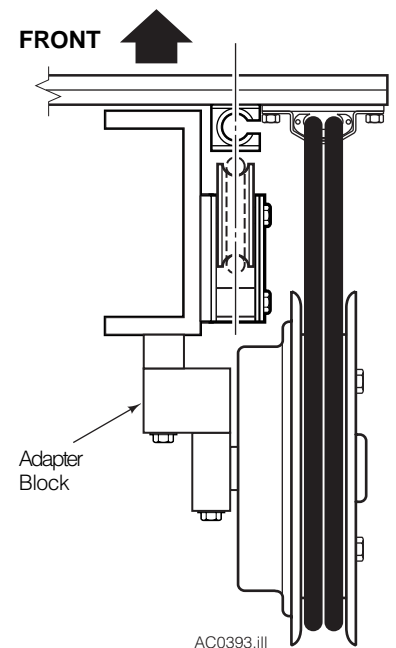
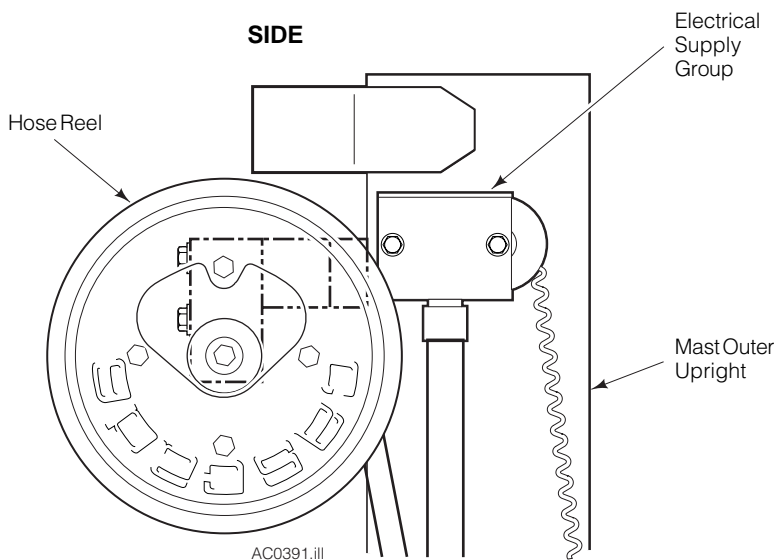
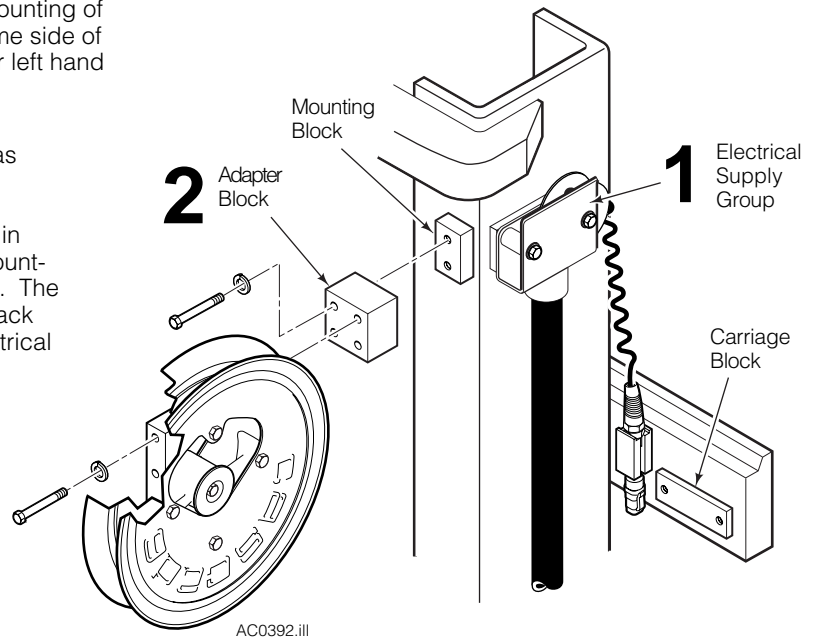


Installation Instructions

Hose Reel Mounting Adapter Kit 6008338

This manual provides installation instructions for Cascade Hose Reel Mount Kit 6008338. The kit allows the mounting of a Cascade Power Supply and Hose Reel on the same side of a mast. Mounting can be either on the right hand or left hand side of the mast.

- 1 Locate and mount the Electrical Supply Group as described in Installation 228179.
- 2 Locate and mount the Hose Reel as described in Installation 673835 using the adapter block, mounting block and carriage block included in the kit. The adapter block will offset the Hose Reel to the back and outward, providing clearance with the Electrical Supply Group.



Part No. 6014900

cascade®

For Technical Support . . .

Call: 1-800-227-2233

OR

Write: Cascade Corporation, P.O. Box 20187, Portland, OR 97294

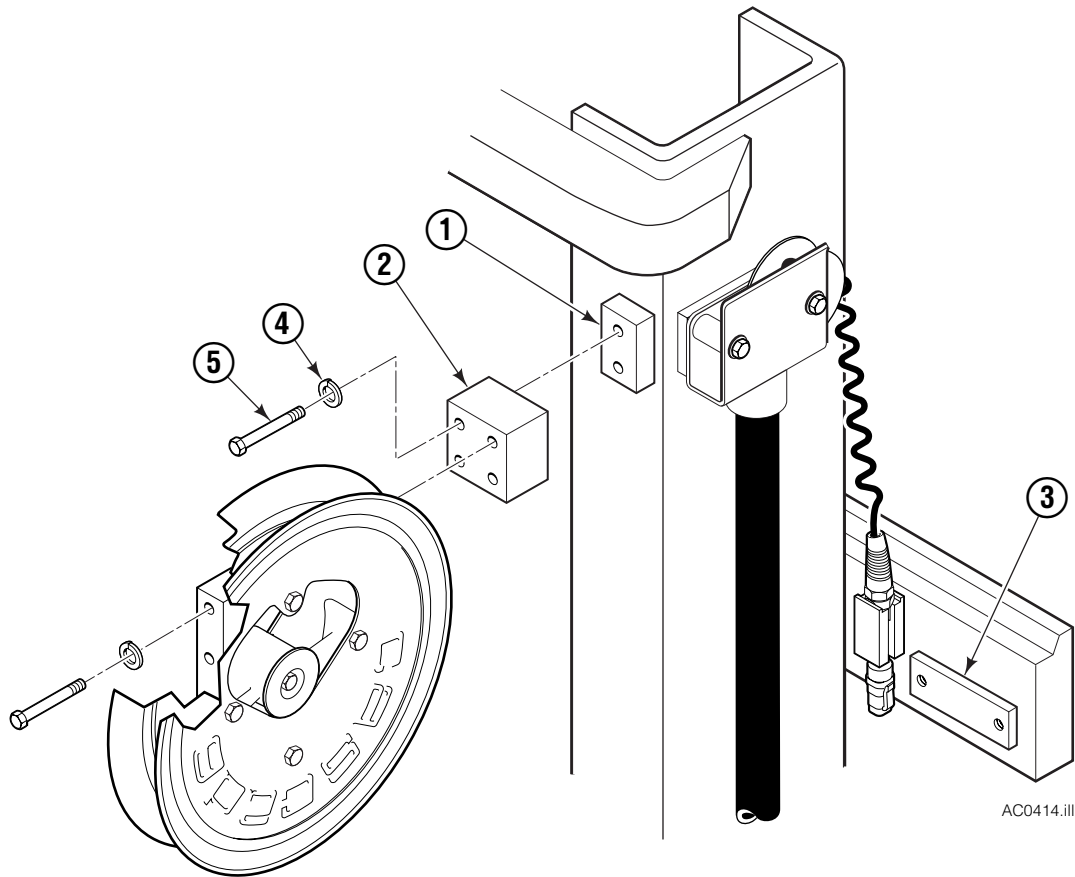
To Order Parts . . .

Call: 1-888-227-2233

OR

Write: Cascade Corporation, 2501 Sheridan Ave., Springfield, OH 45505

Hose Reel Mounting Adapter Kit



REF	QTY	PART NO.	DESCRIPTION
		6008338	Adapter Mounting Kit
1	1	673526	Mounting Block
2	1	6014884	Adapter Block
3	1	673520	Carriage Block
4	1	6290	Lockwasher, 1/2
5	8	8602	Capscrew, 1/2 NC x 3.25

