



# Parts Manual

---

## 360° Rotators D-Series

---

Serial Numbers 674642 through 677246

Manual Number 676336 R-1

---

**cascade**<sup>®</sup>

Cascade is a Registered Trademark of Cascade Corporation

# HOW TO USE THIS MANUAL

## Introduction

This manual illustrates service replacement parts for standard production Cascade 40D, 55D, 65D and 100D Rotators.

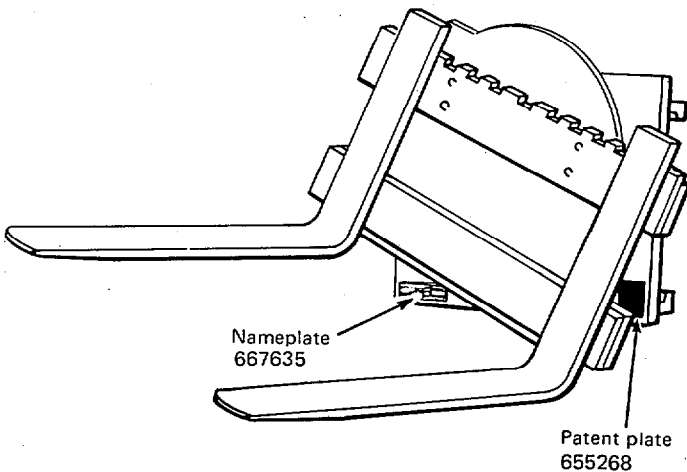
The parts manuals for attachments designed by the Application Engineering Department have an A.E.D. designation on the cover of the manual.


This standard attachment manual is not interchangeable with an A.E.D. Manual since it does not reflect the special engineering of an A.E.D. attachment.

To locate a service replacement part for a standard attachment follow the steps below.

### 1. Locate the Nameplate

The nameplate is attached to the right front face of the baseplate. If the nameplate is missing, all necessary information is stamped into the baseplate at the same location.



		<b>cascade®</b>	
<b>LIFT TRUCK</b>		<b>ATTACHMENT CAPACITY</b>	
<b>ATTACHMENT</b>		<input type="checkbox"/> POUNDS AT	<input type="checkbox"/> INCH LOAD CENTER
SERIAL NUMBER	675742-P2	CAPACITY OF TRUCK AND ATTACHMENT COMBINATION MAY BE LESS THAN ATTACHMENT CAPACITY SHOWN ABOVE. CONSULT TRUCK NAMEPLATE.	
CATALOG NUMBER	40D-RR-12F	RECOMMENDED SYSTEM PRESSURE - 2000 PSI	
ADDITIONAL EQUIPMENT		MAXIMUM SYSTEM PRESSURE - 2300 PSI	
ADDITIONAL EQUIPMENT		<b>cascade® corporation</b>	
ADDITIONAL EQUIPMENT		FOR TECHNICAL ASSISTANCE. CONTACT	FOR PARTS AND SERVICE MANUALS CONTACT
ADDITIONAL EQUIPMENT		503 / 866 - 1511	513 / 322 - 1199
		PORTLAND, OREGON USA	SPRINGFIELD, OHIO USA

### 2. Note the Serial Number

Record the six-digit Serial Number. See the example.

### 3. Refer to Serial Number Index

Locate your Serial Number in the Serial Number Index on the following page.

**IMPORTANT: DO NOT USE THIS MANUAL TO ORDER PARTS FOR AN A.E.D. ATTACHMENT.** Contact Cascade Corporation to obtain the correct parts manual. You must supply the serial number and all additional equipment numbers to order the correct manual.

### 4. Ordering

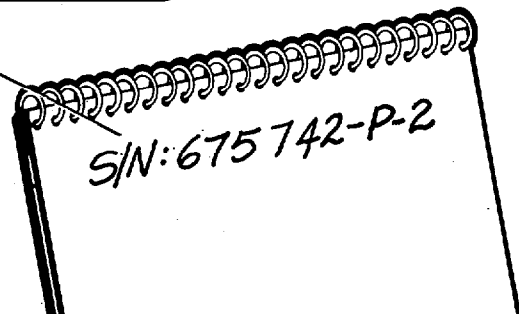
**Retail Customers-**Cascade Service Replacement Parts and Service Literature are sold through authorized lift truck dealers. To order, contact the lift truck dealer of your choice.

**Lift Truck Dealers-**To order Service Replacement Parts or Service Literature, contact:

Cascade Parts Depot  
2501 Sheridan Avenue  
P.O. Box 260  
Springfield, Ohio 45505  
(513)322-1199  
Telex: 279563

### 5. Parts Log

We have supplied a parts ordering log located on the last page. Use this log as a permanent record of parts ordered from this manual.



# Serial Number Index

Serial Number	Model	Base Unit Group Page	Drive Group Page	Drive Motor Page	Check Valve Page	Fork Bar Group Page	Fork Group Page	Mounting Group Page	180° Stop Group Page
674642	55D	2	7	9	9	10	11	13	17
647643	55D	2	7	9	9	10	11	13	17
674644	55D	2	7	9	9	10	11	13	17
674645	55D	2	7	9	9	10	11	13	17
674646	55D	2	7	9	9	10	—	13	17
674648	55D	2	7	9	9	10	11	13	17
674649	55D	2	7	9	9	10	11	13	17
674650	55D	2	7	9	9	10	11	13	17
674651	55D	2	7	9	9	10	11	13	17
674652	55D	2	7	9	9	10	—	13	17
674657	55D	2	7	9	9	10	11	13	17
674658	55D	2	7	9	9	10	11	13	17
674659	55D	2	7	9	9	10	11	13	17
674660	55D	2	7	9	9	10	11	13	17
674661	55D	2	7	9	9	10	—	13	17
674662	55D	2	7	9	9	10	11	13	17
674663	55D	2	7	9	9	10	11	13	17
674664	55D	2	7	9	9	10	11	13	17
674665	55D	2	7	9	9	10	11	13	17
674666	55D	2	7	9	9	10	—	13	17
674667	55D	2	7	9	9	10	11	14	17
674668	55D	2	7	9	9	10	11	14	17
674669	55D	2	7	9	9	10	11	14	17
674670	55D	2	7	9	9	10	11	14	17
674671	55D	2	7	9	9	10	—	14	17
674673	55D	2	7	9	9	10	11	14	17
674674	55D	2	7	9	9	10	11	14	17
674675	55D	2	7	9	9	10	11	14	17
674676	55D	2	7	9	9	10	11	14	17
674677	55D	2	7	9	9	10	—	14	17
674679	55D	2	7	9	9	10	11	14	17
674680	55D	2	7	9	9	10	11	14	17
674681	55D	2	7	9	9	10	11	14	17
674682	55D	2	7	9	9	10	11	14	17
674683	55D	2	7	9	9	10	—	14	17
674684	55D	2	7	9	9	10	11	14	17
674685	55D	2	7	9	9	10	11	14	17
674686	55D	2	7	9	9	10	11	14	17
674687	55D	2	7	9	9	10	11	14	17
674688	55D	2	7	9	9	10	—	14	17
675741	40D	1	6	9	9	10	11	13	17
675742	40D	1	6	9	9	10	11	13	17
675743	40D	1	6	9	9	10	11	13	17
675744	40D	1	6	9	9	10	11	13	17
675745	40D	1	6	9	9	10	—	13	17

2443k

# Serial Number Index

Serial Number	Model	Base Unit Group Page	Drive Group Page	Drive Motor Page	Check Valve Page	Fork Bar Group Page	Fork Group Page	Mounting Group Page	180° Stop Group Page
675747	40D	1	6	9	9	10	11	13	17
675748	40D	1	6	9	9	10	11	13	17
675749	40D	1	6	9	9	10	11	13	17
675750	40D	1	6	9	9	10	11	13	17
675751	40D	1	6	9	9	10	—	13	17
675755	55D	3	6	9	9	10	11	13	17
675756	55D	3	6	9	9	10	11	13	17
675757	55D	3	6	9	9	10	11	13	17
675758	55D	3	6	9	9	10	11	13	17
675759	55D	3	6	9	9	10	—	13	17
675761	55D	3	6	9	9	10	11	13	17
675762	55D	3	6	9	9	10	11	13	17
675763	55D	3	6	9	9	10	11	13	17
675764	55D	3	6	9	9	10	11	13	17
675765	55D	3	6	9	9	10	—	13	17
675770	55D	3	6	9	9	10	11	13	17
675771	55D	3	6	9	9	10	11	13	17
675772	55D	3	6	9	9	10	11	13	17
675773	55D	3	6	9	9	10	11	13	17
675774	55D	3	6	9	9	10	—	13	17
675775	55D	3	6	9	9	10	11	13	17
675776	55D	3	6	9	9	10	11	13	17
675777	55D	3	6	9	9	10	11	13	17
675778	55D	3	6	9	9	10	11	13	17
675779	55D	3	6	9	9	10	—	13	17
675780	55D	3	6	9	9	10	11	14	17
675781	55D	3	6	9	9	10	11	14	17
675782	55D	3	6	9	9	10	11	14	17
675783	55D	3	6	9	9	10	11	14	17
675784	55D	3	6	9	9	10	—	14	17
675786	55D	3	6	9	9	10	11	14	17
675787	55D	3	6	9	9	10	11	14	17
675788	55D	3	6	9	9	10	11	14	17
675789	55D	3	6	9	9	10	11	14	17
675790	55D	3	6	9	9	10	—	14	17
675792	55D	3	6	9	9	10	11	14	17
675793	55D	3	6	9	9	10	11	14	17
675794	55D	3	6	9	9	10	11	14	17
675795	55D	3	6	9	9	10	11	14	17
675796	55D	3	6	9	9	10	—	14	17
675797	55D	3	6	9	9	10	11	14	17
675798	55D	3	6	9	9	10	11	14	17
675799	55D	3	6	9	9	10	11	14	17
675800	55D	3	6	9	9	10	11	14	17

# Serial Number Index

Serial Number	Model	Base Unit Group Page	Drive Group Page	Drive Motor Page	Check Valve Page	Fork Bar Group Page	Fork Group Page	Mounting Group Page	180° Stop Group Page
675801	55D	3	6	9	9	10	—	14	17
675802	100D	5	8	9	9	10	12	15	17
675803	100D	5	8	9	9	10	12	15	17
675804	100D	5	8	9	9	10	12	15	17
675805	100D	5	8	9	9	10	12	15	17
675806	100D	5	8	9	9	10	—	15	17
675808	100D	5	8	9	9	10	12	15	17
675809	100D	5	8	9	9	10	12	15	17
675810	100D	5	8	9	9	10	12	15	17
675811	100D	5	8	9	9	10	12	15	17
675812	100D	5	8	9	9	10	—	15	17
675817	100D	5	8	9	9	10	12	15	17
675818	100D	5	8	9	9	10	12	15	17
675819	100D	5	8	9	9	10	12	15	17
675820	100D	5	8	9	9	10	12	15	17
675821	100D	5	8	9	9	10	—	15	17
675822	100D	5	8	9	9	10	12	15	17
675823	100D	5	8	9	9	10	12	15	17
675824	100D	5	8	9	9	10	12	15	17
675825	100D	5	8	9	9	10	12	15	17
675826	100D	5	8	9	9	10	—	15	17
675827	100D	5	8	9	9	10	12	16	17
657828	100D	5	8	9	9	10	12	16	17
675829	100D	5	8	9	9	10	12	16	17
675830	100D	5	8	9	9	10	12	16	17
675831	100D	5	8	9	9	10	—	16	17
675833	100D	5	8	9	9	10	12	16	17
675834	100D	5	8	9	9	10	12	16	17
675835	100D	5	8	9	9	10	12	16	17
675836	100D	5	8	9	9	10	12	16	17
675837	100D	5	8	9	9	10	—	16	17
675839	100D	5	8	9	9	10	12	16	17
675840	100D	5	8	9	9	10	12	16	17
675841	100D	5	8	9	9	10	12	16	17
675842	100D	5	8	9	9	10	12	16	17
675843	100D	5	8	9	9	10	—	16	17
675844	100D	5	8	9	9	10	12	16	17
675845	100D	5	8	9	9	10	12	16	17
675846	100D	5	8	9	9	10	12	16	17
675847	100D	5	8	9	9	10	12	16	17
675848	100D	5	8	9	9	10	—	16	17
676707	40D	1	6	9	9	10	11	13	17
676708	40D	1	6	9	9	10	11	13	17
676709	40D	1	6	9	9	10	11	13	17
676710	40D	1	6	9	9	10	11	13	17

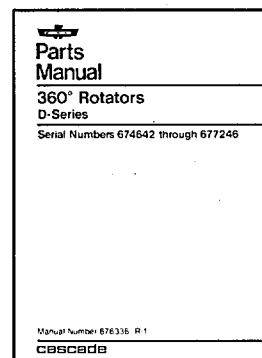
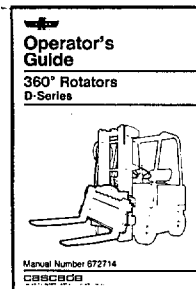
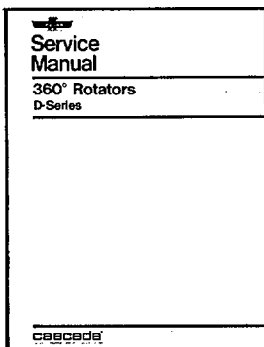
2443q

# Serial Number Index

Serial Number	Model	Base Unit Group Page	Drive Group Page	Drive Motor Page	Check Valve Page	Fork Bar Group Page	Fork Group Page	Mounting Group Page	180° Stop Group Page
676711	40D	1	6	9	9	10	—	13	17
676712	40D	1	6	9	9	10	11	13	17
676713	40D	1	6	9	9	10	11	13	17
676714	40D	1	6	9	9	10	11	13	17
676715	40D	1	6	9	9	10	11	13	17
676716	40D	1	6	9	9	10	—	13	17
677231	65D	4	6	9	9	10	—	14	17
677232	65D	4	6	9	9	10	—	14	17
677233	65D	4	6	9	9	10	—	14	17
677234	65D	4	6	9	9	10	—	14	17
677235	65D	4	6	9	9	10	12	14	17
677236	65D	4	6	9	9	10	12	14	17
677237	65D	4	6	9	9	10	12	14	17
677238	65D	4	6	9	9	10	12	14	17
677239	65D	4	6	9	9	10	12	14	17
677240	65D	4	6	9	9	10	12	14	17
677241	65D	4	6	9	9	10	12	14	17
677242	65D	4	6	9	9	10	12	14	17
677243	65D	4	6	9	9	10	12	14	17
677244	65D	4	6	9	9	10	12	14	17
677245	65D	4	6	9	9	10	12	14	17
677246	65D	4	6	9	9	10	12	14	17

2443qq

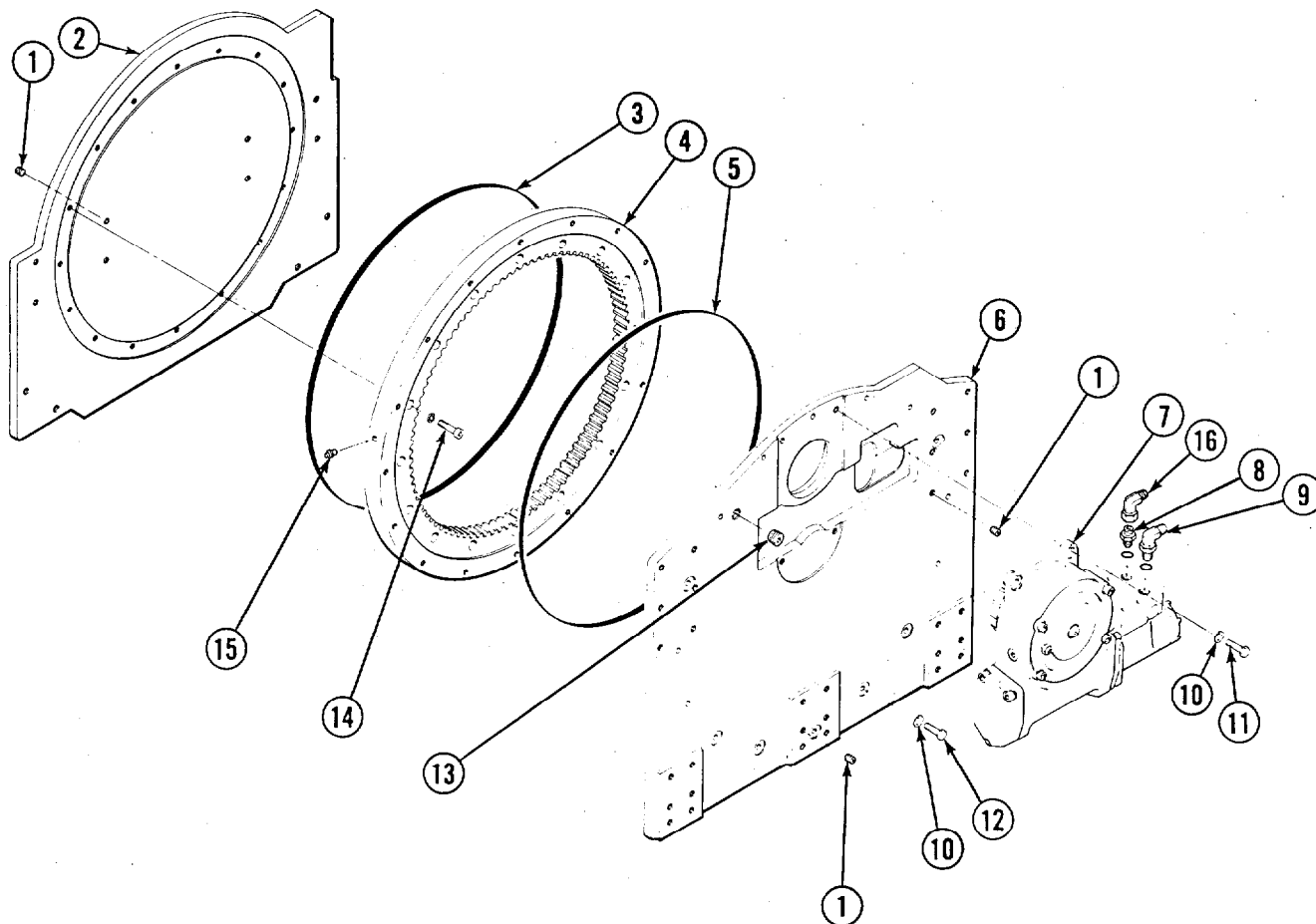
## Publications



PART NO.	DESCRIPTION	SERIAL NO. RANGE
672946 R-1	Service Manual	674642-677246
672714	Operator's Guide	All
676336 R-1	Parts Manual	674642-677246

2443za

# Base Unit Group



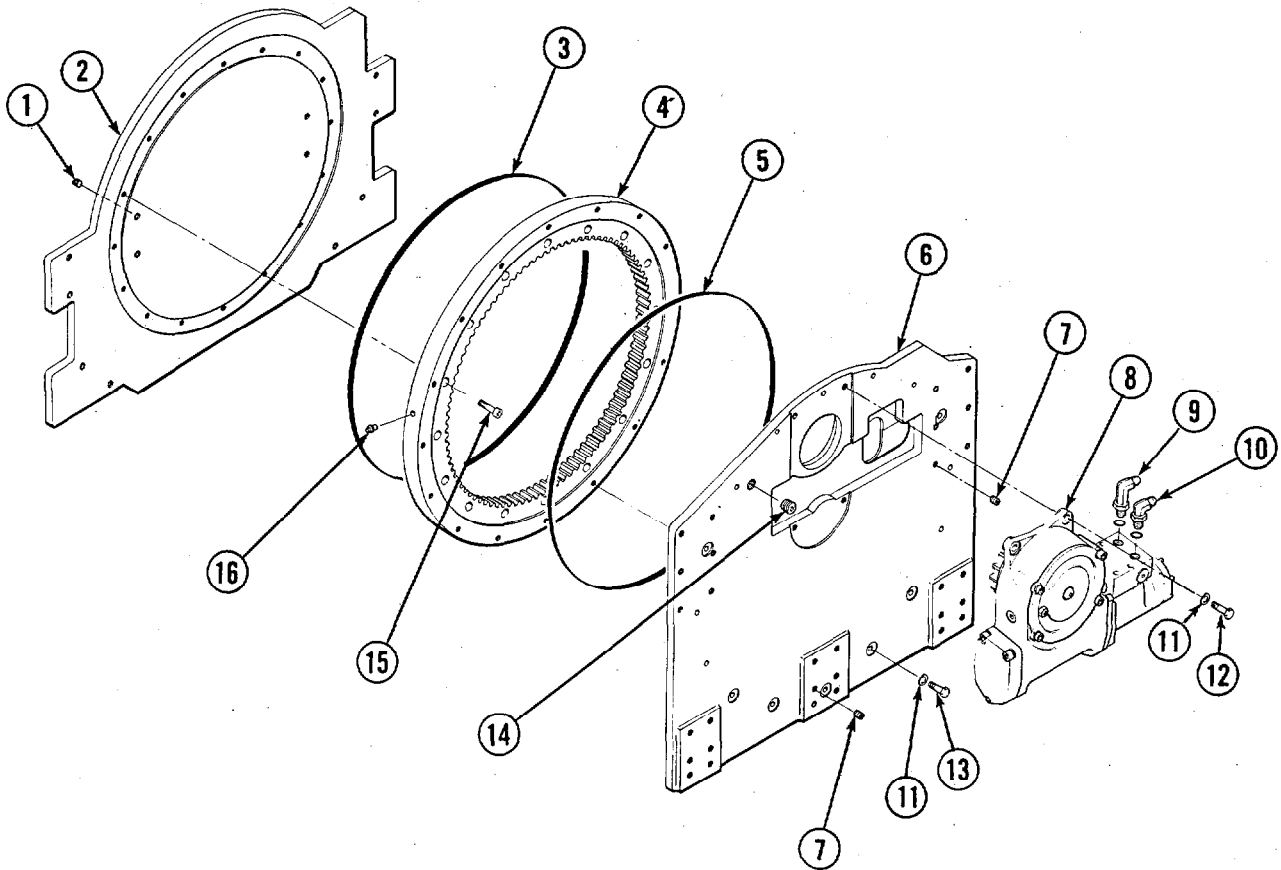
40D			
REF	QTY	PART NO.	DESCRIPTION
		675659	Base Unit Group
1	8	631385	Plug
2	1	670503	Faceplate
3	1	670513	Seal
★4	1	672828	Bearing Assembly
5	1	670514	Seal
6	1	670497	Baseplate
●7	1	675628	Drive Group
8	1	601377	Fitting, 8-8
9	1	601250	Fitting, 8-8
10	18	6290	Lockwasher, 1/2 ID
11	4	661742	Cap screw, 1/2 NC x 1.25 GR5
12	16	640013	Cap screw, 1/2 NC x 1.75 GR5
13	1	6605	Plug
★14	16	669322	Cap screw, 1/2 NC x 1.5
15	1	7401	Grease Fitting
16	1	605761	Fitting, 8-8
		672481	Bearing Service Kit

2443a

- Includes items 3 and 5.
- See page 6 for replacement parts breakdown.
- ★ Included in bearing Service Kit 672481.



# Base Unit Group

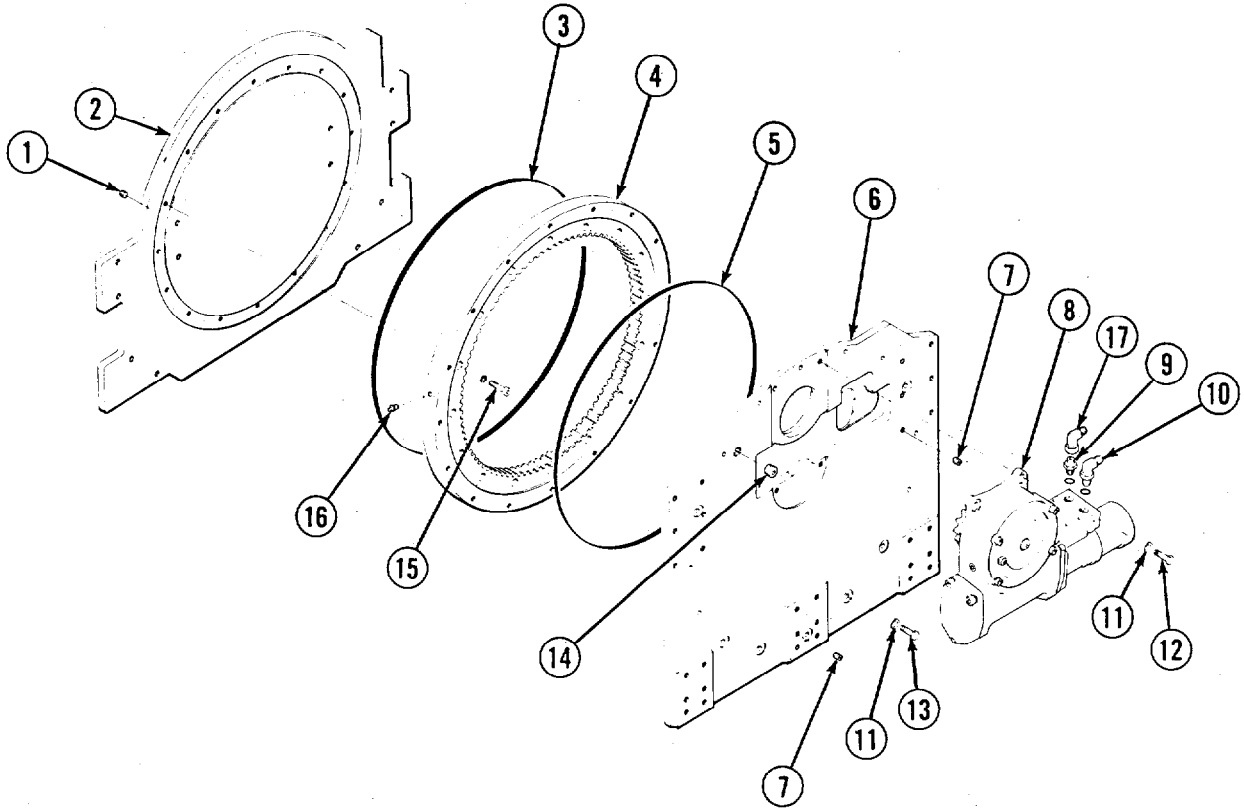


55D			
REF	QTY	PART NO.	DESCRIPTION
		670494	Base Unit Group
1	4	631428	Plug
2	1	670496	Faceplate
3	1	670513	Seal
★■4	1	672828	Bearing Assembly
5	1	670514	Seal
6	1	670497	Baseplate
7	8	631385	Plug
●8	1	670505	Drive Group
9	1	660385	Fitting, 8-8
10	1	601250	Fitting, 8-8
11	20	6290	Lockwasher, 1/2 ID
12	4	661742	Capscrew, 1/2 NC x 1.25 GR5
13	16	640013	Capscrew, 1/2 NC x 1.75 GR5
14	1	6605	Plug
★15	16	669322	Capscrew, 1/2 NC x 1.5
16	1	7401	Grease Fitting
		672481	Bearing Service Kit

2443b

- Includes items 3 and 5.
- See page 7 for replacement parts breakdown.
- ★ Included in Bearing Service Kit 672481.

# Base Unit Group

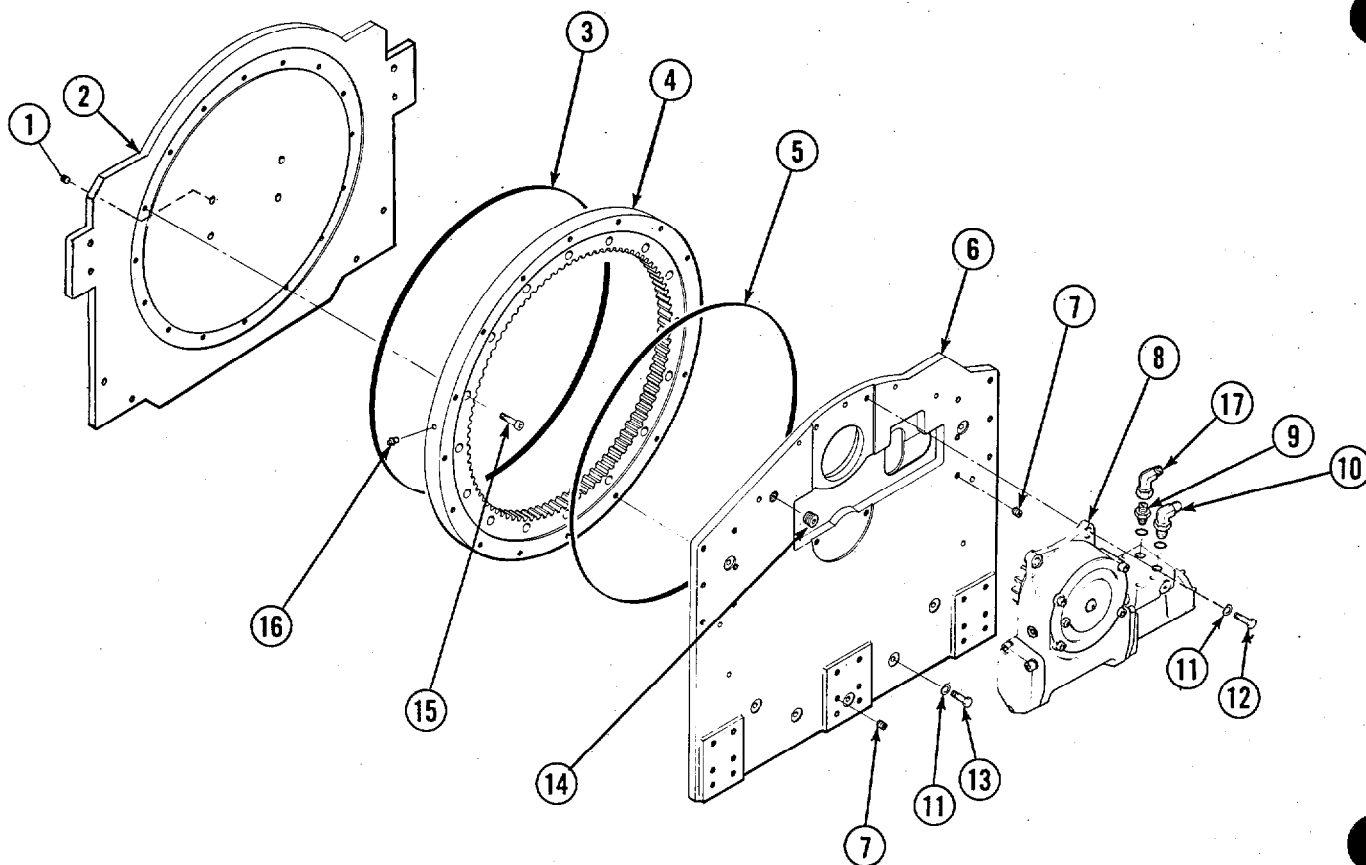


55D			
REF	QTY	PART NO.	DESCRIPTION
		675658	Base Unit Group
1	4	631428	Plug
2	1	670496	Faceplate
3	1	670513	Seal
★■4	1	672828	Bearing Assembly
5	1	670514	Seal
6	1	670497	Baseplate
7	8	631385	Plug
●8	1	675628	Drive Group
9	1	601377	Fitting, 8-8
10	1	601250	Fitting, 8-8
11	18	6290	Lockwasher, 1/2 ID
12	4	661742	Capscrew, 1/2 NC x 1.25 GR5
13	16	640013	Capscrew, 1/2 NC x 1.75 GR5
14	1	6605	Plug
★15	16	669322	Capscrew, 1/2 NC x 1.5
16	1	7401	Grease Fitting
17	1	605761	Fitting, 8-8
		672481	Bearing Service Kit

2443c

- Includes items 3 and 5.
- See page 6 for replacement parts breakdown.
- ★ Included in Bearing Service Kit 672481.

# Base Unit Group

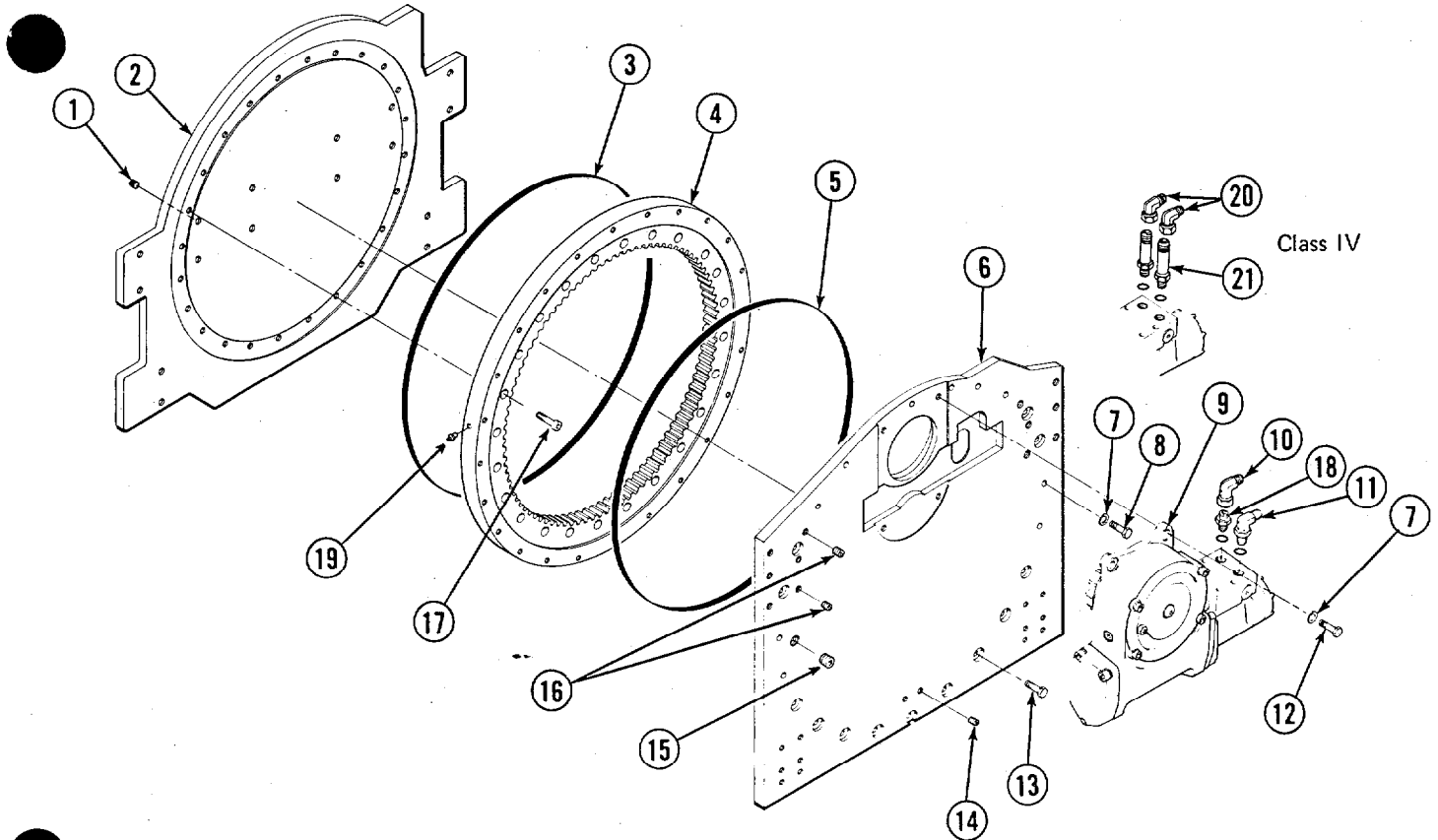


65D			
REF	QTY	PART NO.	DESCRIPTION
		677225	Base Unit Group
1	5	631428	Plug
2	1	677224	Faceplate
3	1	670513	Seal
★■4	1	672828	Bearing Assembly
5	1	670514	Seal
6	1	670497	Baseplate
7	8	631385	Plug
●8	1	675628	Drive Group
9	1	601377	Fitting, 8-8
10	1	601250	Fitting, 8-8
11	18	6290	Lockwasher, 1/2 ID
12	4	661742	Capscrew, 1/2 NC x 1.25 GR5
13	16	640013	Capscrew, 1/2 NC x 1.75 GR5
14	1	6605	Plug
★15	16	669322	Capscrew, 1/2 NC x 1.5
16	1	7401	Grease Fitting
17	1	605761	Fitting, 8-8
		672481	Bearing Service Kit

22436

- Includes items 3 and 5.
- See page 6 for replacement parts breakdown.
- ★ Included in Bearing Service Kit 672481.

# Base Unit Group

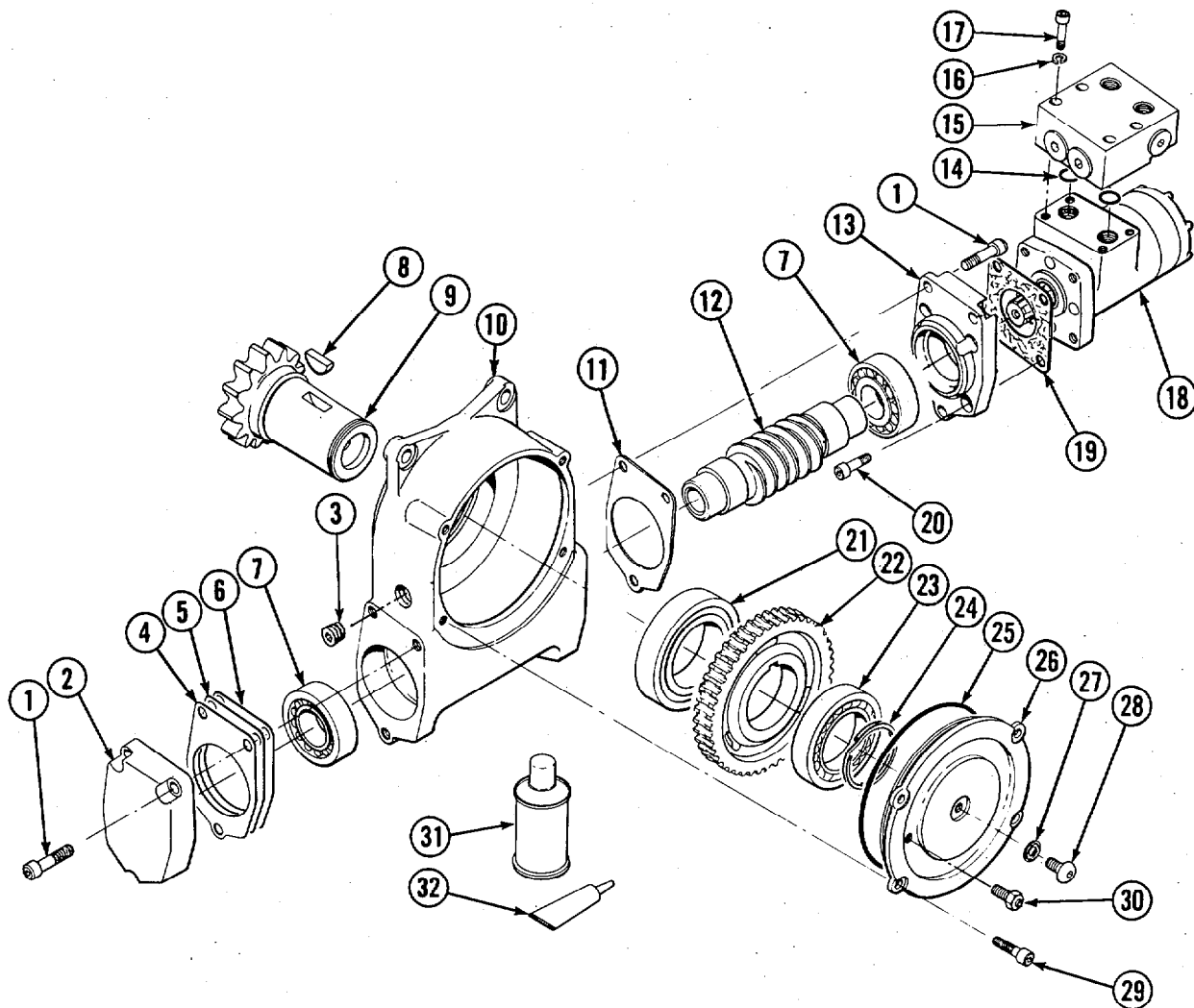


100D			
REF	QTY	PART NO.	DESCRIPTION
		675665	Base Unit Group
1	10	631428	Plug
2	1	670669	Faceplate
3	1	670515	Seal
★4	1	672830	Bearing Assembly
5	1	670516	Seal
6	1	670670	Baseplate
7	17	6290	Lockwasher, 1/2 ID
8	13	636408	Capscrew, 1/2 NC x 2.0 GR5
●9	1	675639	Drive Group
10	1	605761	Fitting - Class III only, 8-8
11	1	601250	Fitting - Class III only, 8-8
12	4	661742	Capscrew, 1/2 NC x 1.25 GR5
13	11	670682	Capscrew, 1/2 NC x 1.5 GR5
14	2	631427	Plug
15	1	6605	Plug
16	6	631385	Plug
★17	24	617254	Capscrew, 1/2 NC x 1.75
18	1	601377	Fitting - Class III only, 8-8
19	1	7401	Grease Fitting
20	2	605761	Fitting - Class IV only, 8-8
21	2	611295	Fitting - Class IV only, 8-8
		672482	Bearing Service Kit

2443d

- Includes items 3 and 5.
- See page 8 for replacement parts breakdown.
- ★ Included in Bearing Service Kit 672482.

# Drive Group

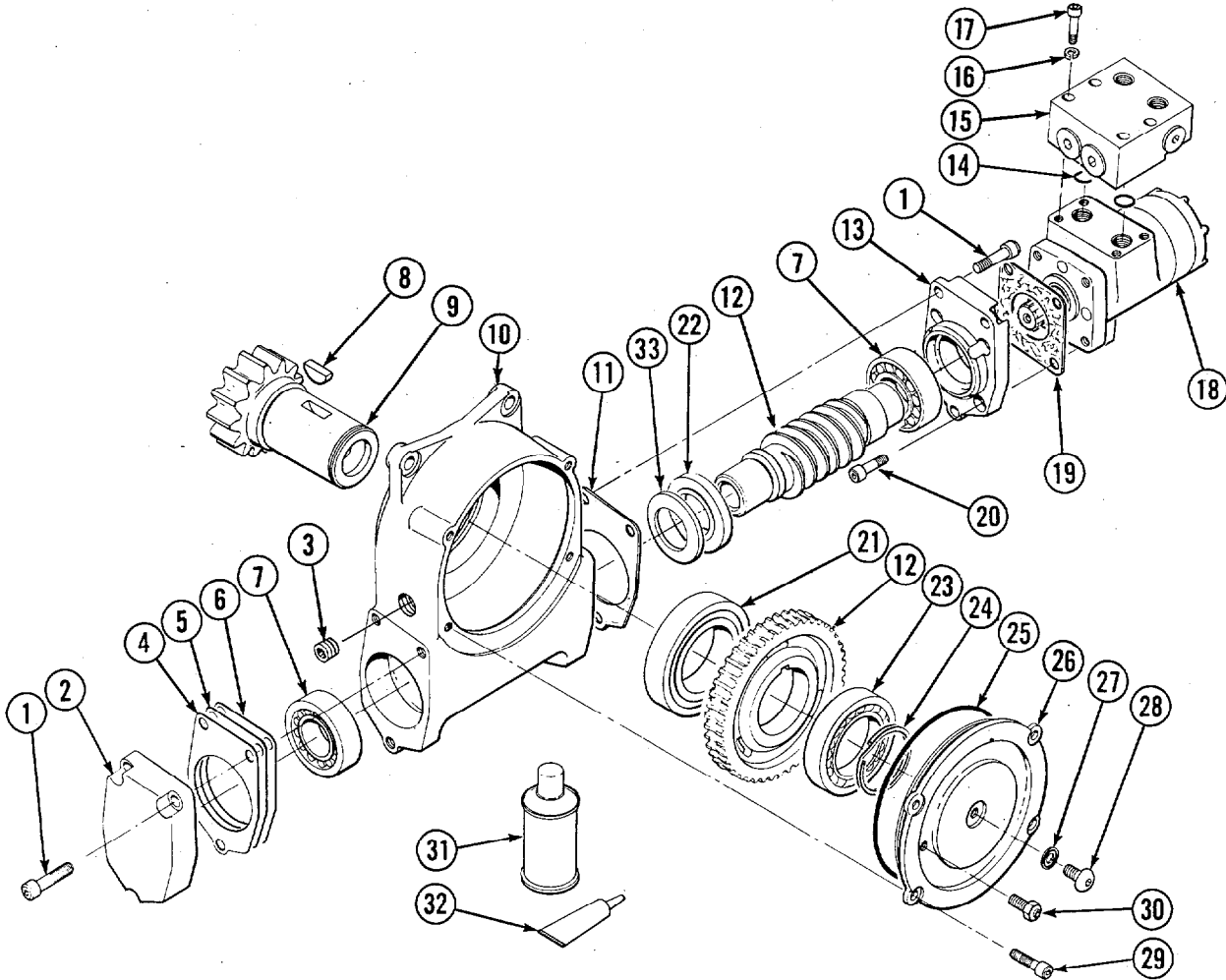


40D/55D/65D							
REF	QTY	PART NO.	DESCRIPTION	REF	QTY	PART NO.	DESCRIPTION
		675628	Drive Group with Motor	‡18	1	675329	Drive Motor
	☆	675631	Drive Group without Motor	19	1	670575	Gasket
1	6	607071	Capscrew, 7/16 NC x 1.0 GR8	20	4	4468	Capscrew, 3/8 NC x .75
2	1	676855	Cover	■21	1	670580	Bearing
3	1	6609	Plug	22	1	675609	Worm Gear
★4	●	670574	Shim - .010" (Brown)	23	1	670581	Bearing
★5	●	671757	Shim - .015" (Pink)	24	1	7214	Snap Ring
★6	●	671758	Shim - .020" (Yellow)	25	1	643423	O-Ring
†7	2	670579	Bearing	26	1	670567	Cover
8	1	670582	Key	27	1	603680	Seal
9	1	670506	Pinion	28	1	4874	Capscrew, 3/8 NC x .50 GR8
10	1	670565	Housing	29	4	671535	Capscrew, 5/16 NC x .75
11	1	670574	Shim - .010" (Brown)	30	1	644010	Relief Fitting
12	1	675608	Worm	31	1	656300	Gear Box Lube - 48 oz.
13	1	670570	Adapter	★■32	1	668184	Sealant
14	2	2705	Seal	†		670578	Shim Service Kit
‡15	1	670549	Check Valve			675637	Service Kit
16	4	6444	Lockwasher, 5/16 ID			675638	Service Kit
17	4	607059	Capscrew, 5/16 NC x 1.75 GR8		□	675343	Drive Motor Service Kit

2443g

- Quantity as required.
- Included in Bearing Service Kit 675637.
- † Included in Bearing Service Kit 675638.
- ★ Included in Shim Service Kit 670578.
- ‡ See page 9 for replacement parts breakdown.
- ☆ Includes all items except 15, 17 and 18.
- Includes items 11, 14, 18, 19 and 32.

# Drive Group

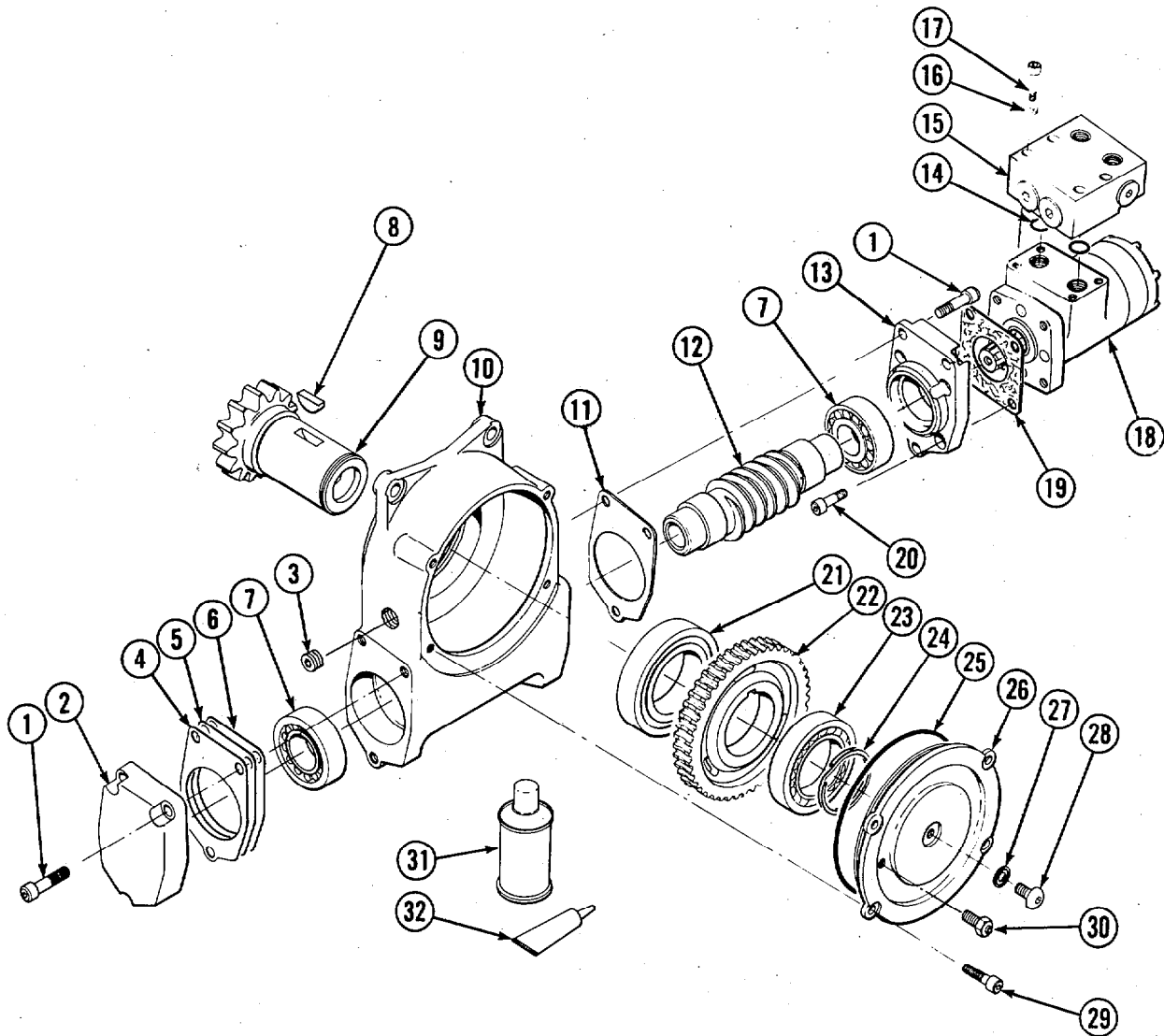


55D							
REF	QTY	PART NO.	DESCRIPTION	REF	QTY	PART NO.	DESCRIPTION
		670505	Drive Group	19	1	670575	Gasket
1	6	607071	Capscrew, 7/16 NC x 1.0 GR8	20	4	4468	Capscrew, 3/8 NC x .75
2	1	670572	Cover	21	1	670580	Bearing
3	1	6609	Plug	22	1	672448	Washer
★4	●	670574	Shim -.010" (Brown)	23	1	670581	Bearing
★5	●	671757	Shim -.015" (Pink)	24	1	7214	Snap Ring
★6	●	671758	Shim -.020" (Yellow)	25	1	643423	O-Ring
†7	2	670579	Bearing	26	1	670567	Cover
8	1	670582	Key	27	1	603680	Seal
9	1	670506	Pinion	28	1	4874	Capscrew, 3/8 NC x .50 GR8
10	1	670565	Housing	29	4	671535	Capscrew, 5/16 NC x .75
11	1	670574	Shim -.010" (Brown)	30	1	644010	Relief Fitting
12	1	676454	Worm and Worm Gear Service Kit	31	1	656300	Gear Box Lube - 48 oz
13	1	670570	Adapter	★32	1	668184	Sealant
14	2	2705	Seal	33	1	672449	Washer Spring
‡15	1	670549	Valve Assembly		†	670578	Shim Service Kit
16	4	6444	Lockwasher, 5/16 ID			671583	Bearing Service Kit
17	4	607059	Capscrew, 5/16 NC x 1.75 GR8			671584	Bearing Service Kit
‡18	1	675329	Drive Motor				

2443e

- Quantity as required.
- Included in Bearing Service Kit 671583.
- † Included in Bearing Service Kit 671584.
- ★ Included in Shim Service Kit 670578.
- ‡ See page 9 for replacement parts breakdown.

# Drive Group



## 100D

REF	QTY	PART NO.	DESCRIPTION	REF	QTY	PART NO.	DESCRIPTION
		675639	Drive Group with Motor	‡18	1	675329	Drive Motor
	☆	675633	Drive Group without Motor	19	1	670575	Gasket
1	6	607071	Capscrew, 7/16 NC x 1.0 GR8	20	4	4468	Capscrew, 3/8 NC x .75
2	1	676855	Cover	■21	1	670580	Bearing
3	1	6609	Plug	22	1	675609	Worm Gear
★4	●	670574	Shim -.010" (Brown)	23	1	670581	Bearing
★5	●	671757	Shim -.015" (Pink)	24	1	7214	Snap Ring
★6	●	671758	Shim -.020" (Yellow)	25	1	643423	O-Ring
†7	2	670579	Bearing	26	1	670567	Cover
8	1	670582	Key	27	1	603680	Seal
9	1	670556	Pinion	28	1	4874	Capscrew, 3/8 NC x .50 GR8
10	1	670565	Housing	29	4	671535	Capscrew, 5/16 NC x .75
11	1	670574	Shim -.010" (Brown)	30	1	644010	Relief Fitting
12	1	675608	Worm	31	1	656300	Gear Box Lube - 48 oz.
13	1	670570	Adapter	■★32	1	668184	Sealant
14	2	2705	Seal	†		670578	Shim Service Kit
‡15	1	670549	Check Valve			675637	Bearing Service Kit
16	4	6444	Lockwasher, 5/16 ID			675638	Bearing Service Kit
17	4	607059	Capscrew, 5/16 NC x 1.75 GR8	□		675343	Drive Motor Service Kit

2443f

● Quantity as required.

■ Included in Bearing Service Kit 675637.

† Included in Bearing Service Kit 675638.

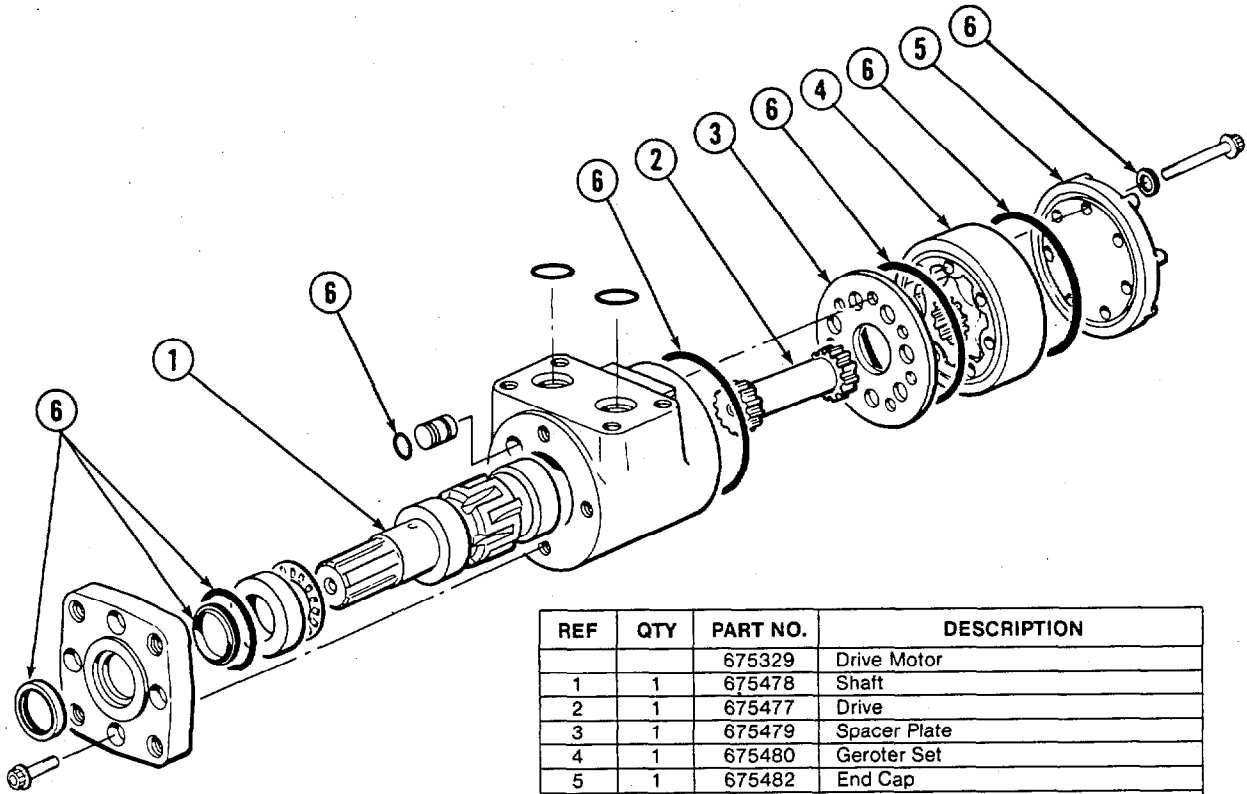
★ Included in Shim Service Kit 670578.

‡ See page 9 for replacement parts breakdown.

☆ Includes all items except 15, 17 and 18.

□ Includes items 11, 14, 18, 19 and 32.

# Drive Motor

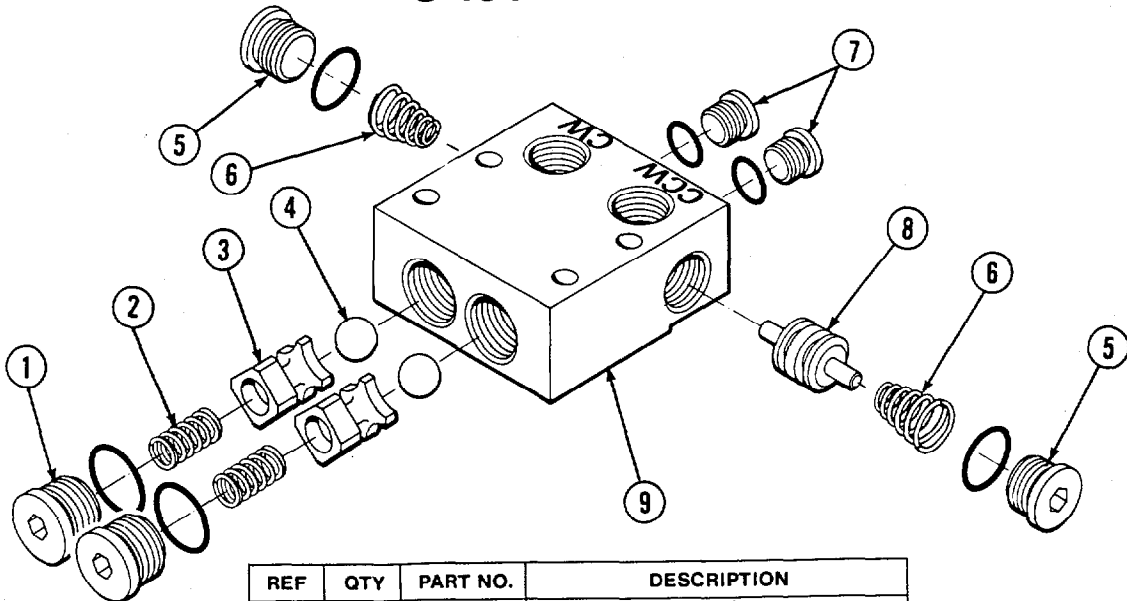


REF	QTY	PART NO.	DESCRIPTION
		675329	Drive Motor
1	1	675478	Shaft
2	1	675477	Drive
3	1	675479	Spacer Plate
4	1	675480	Geroter Set
5	1	675482	End Cap
6	1	675474	Seal Kit

2258i

Cascade provides service replacement parts for the listed parts only. Due to cost, if other parts need replacement, the complete drive motor should be replaced.

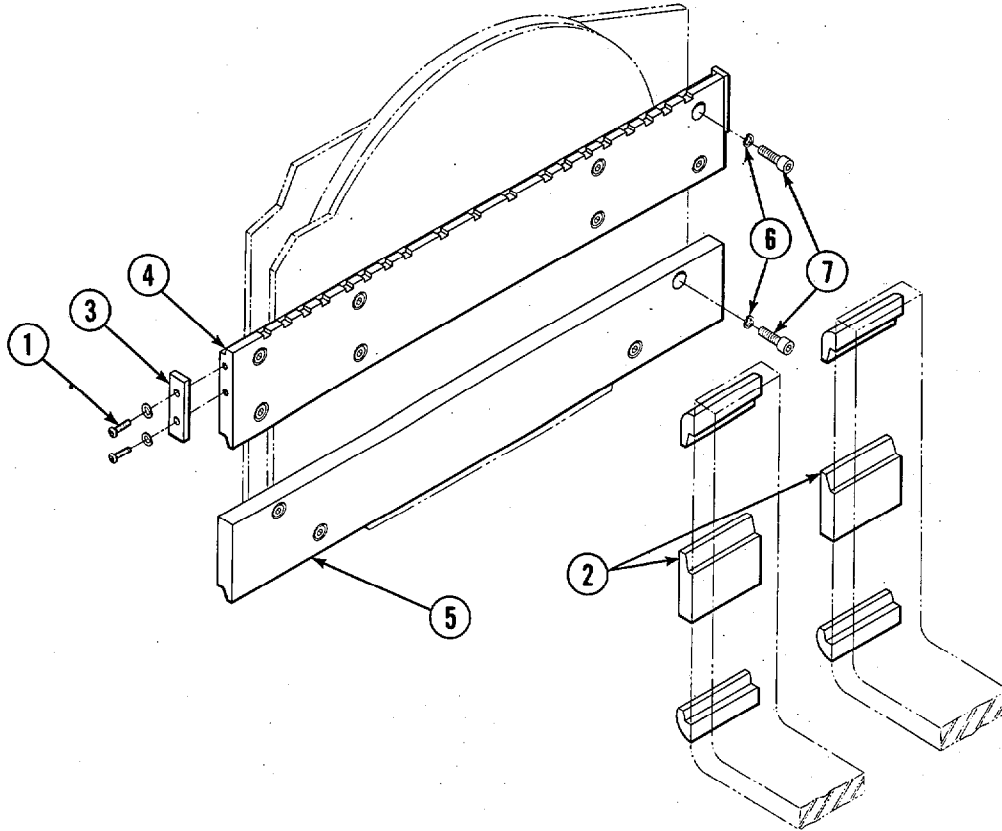
# Check Valve



REF	QTY	PART NO.	DESCRIPTION
		670549	Check Valve Assembly
1	2	609453	Plug
2	2	670552	Spring
3	2	670551	Guide
4	2	7020	Ball
5	2	602580	Plug
6	2	673989	Spring
7	2	604510	Plug
8	1	670553	Spool
9	1	670550	Body

2257h

# Fork Bar Group



REF	QTY	40D		55D		DESCRIPTION
		32" PART NO.	37" PART NO.	37" PART NO.	45" PART NO.	
		670534	676702	625493	625494	Fork Bar Group
1	4	4880	4880	4880	4880	Capscrew, 1/2 NC x 1.0 GR8
■2	2	608585	608585	608508	608508	Hook
3	2	624394	624394	624394	624394	Keeper
4	1	625457	676704	625495	625497	Upper Bar
5	1	670535	676703	625496	625498	Lower Bar
6	12	6447	6447	6448	6448	Lockwasher
7	12	607084	607084	—	—	Capscrew, 5/8 NC x 1.25 GR8
7	12	—	—	607102	607102	Capscrew, 3/4 NC x 1.25 GR8

24431

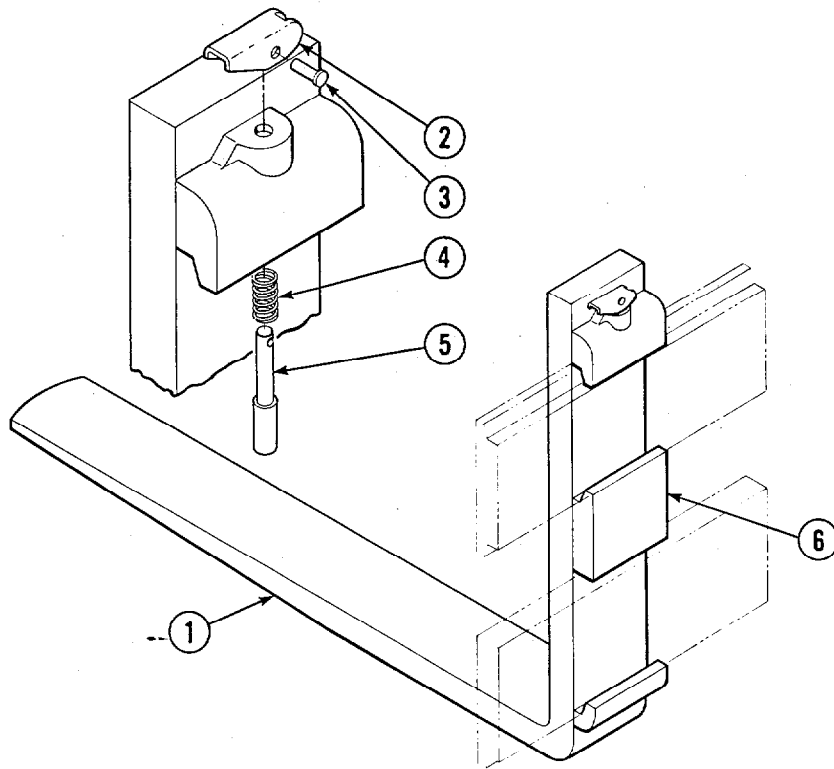
■Required when using customer supplied forks.

65D/100D						
REF	QTY	42" PART NO.	48" PART NO.	60" PART NO.	DESCRIPTION	
		625523	677210	625524	Fork Bar Group	
1	4	4880	4880	4880	Capscrew, 1/2 NC x 1.0 GR8	
■2	2	606993	606993	606993	Hook	
3	2	606988	606988	606988	Keeper	
4	1	625525	677211	625527	Upper Bar	
5	1	625526	677212	625528	Lower Bar	
6	18	6448	6448	6448	Lockwasher, 3/4 ID	
7	18	607103	607103	607103	Capscrew, 3/4 NC x 1.50 GR8	

24431

■Required when using customer supplied forks.

# Adjustable Forks



40D						
REF	QTY	30" PART NO.	36" PART NO.	42" PART NO.	48" PART NO.	DESCRIPTION
		633042	633043	633044	633045	Fork Assembly
■ 1	1	645602	645603	645604	645605	Fork
2	1	622897	622897	622897	622897	Handle
3	1	8007	8007	8007	8007	Rivet
4	1	622908	622908	622908	622908	Spring
5	1	622907	622907	622907	622907	Pin
● 6	1	608585	608585	608585	608585	Hook

2257s

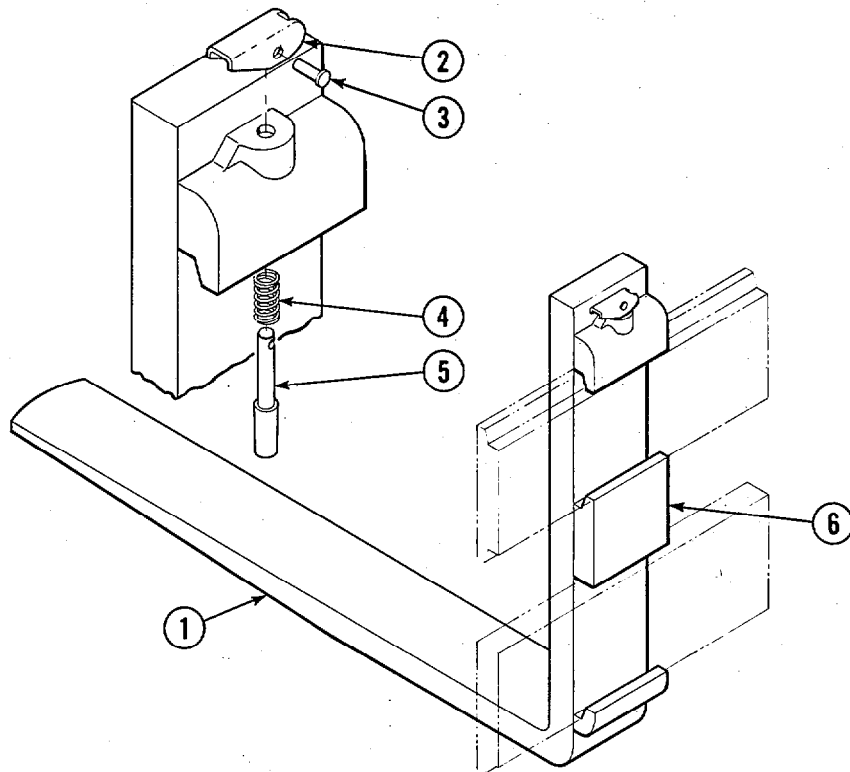
- Includes items 6 welded in place.
- Required when using customer supplied forks.

55D						
REF	QTY	36" PART NO.	42" PART NO.	48" PART NO.	54" PART NO.	DESCRIPTION
		615329	615330	615331	615332	Fork Assembly
■ 1	1	645606	645607	645608	645609	Fork
2	1	622897	622897	622897	622897	Handle
3	1	8007	8007	8007	8007	Rivet
4	1	622908	622908	622908	622908	Spring
5	1	622907	622907	622907	622907	Pin
● 6	1	606508	606508	606508	606508	Hook

2257s

- Includes item 6 welded in place.
- Required when using customer supplied forks.

# Adjustable Forks



65D					
REF	QTY	42" PART NO.	48" PART NO.	54" PART NO.	DESCRIPTION
		677217	677218	677219	Fork Assembly
■ 1	1	677220	677221	677222	Fork
2	1	622897	622897	622897	Handle
3	1	8007	8007	8007	Rivet
4	1	622898	622898	622898	Spring
5	1	622899	622899	622899	Pin
● 6	1	677260	677260	677260	Hook

2443s

- Includes item 6 welded in place.
- Required when using customer supplied forks.

100D						
REF	QTY	42" PART NO.	48" PART NO.	54" PART NO.	60" PART NO.	DESCRIPTION
		672281	672282	672283	672284	Fork Assembly
■ 1	1	645614	645615	645616	645617	Fork
2	1	622897	622897	622897	622897	Handle
3	1	8007	8007	8007	8007	Rivet
4	1	622898	622898	622898	622898	Spring
5	1	622899	622899	622899	622899	Pin
● 6	1	606993	606993	606993	622993	Hook

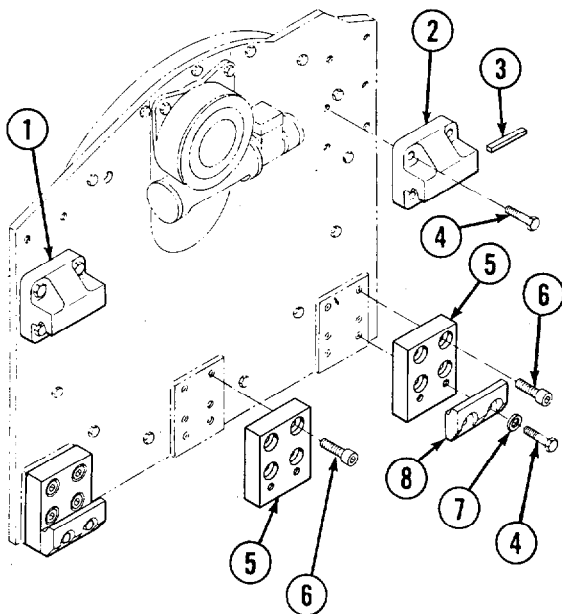
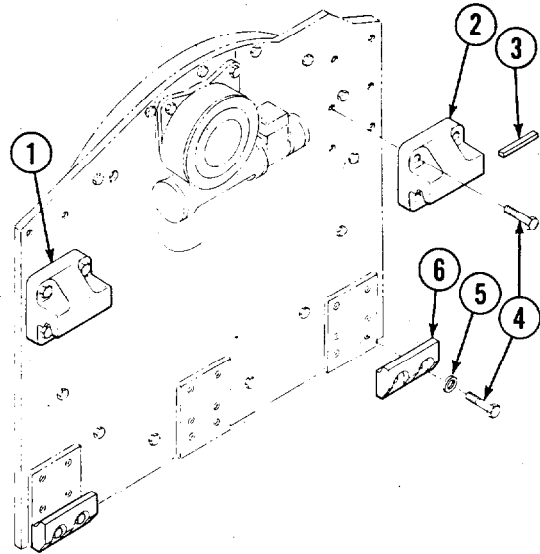
2443s

- Includes item 6 welded in place.
- Required when using customer supplied forks.

# Mounting Groups

40/55D Class II, 4°			
REF	QTY	PART NO.	DESCRIPTION
		670519	Mounting Group
1	1	670523	Upper Hook - L.H.
2	1	670524	Upper Hook - R.H.
3	1	669344	Stop Kit
4	12	667765	Capscrew, 5/8 NC x 1.5 GR5
5	4	667225	Washer
6	2	667370	Lower Hook

2257m



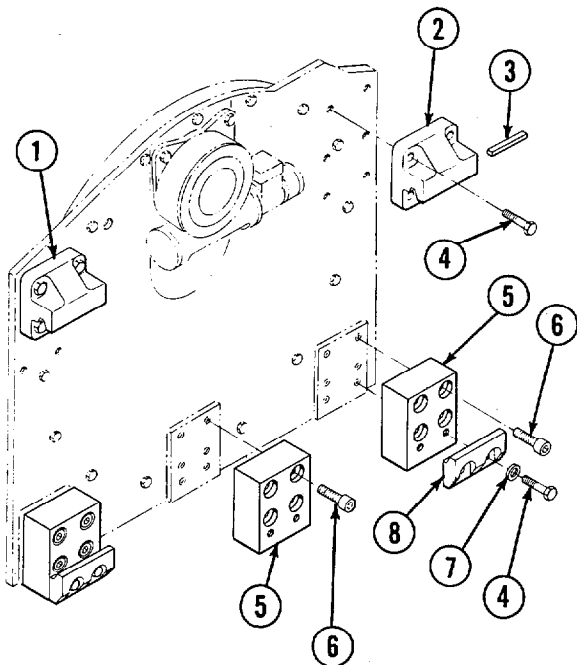
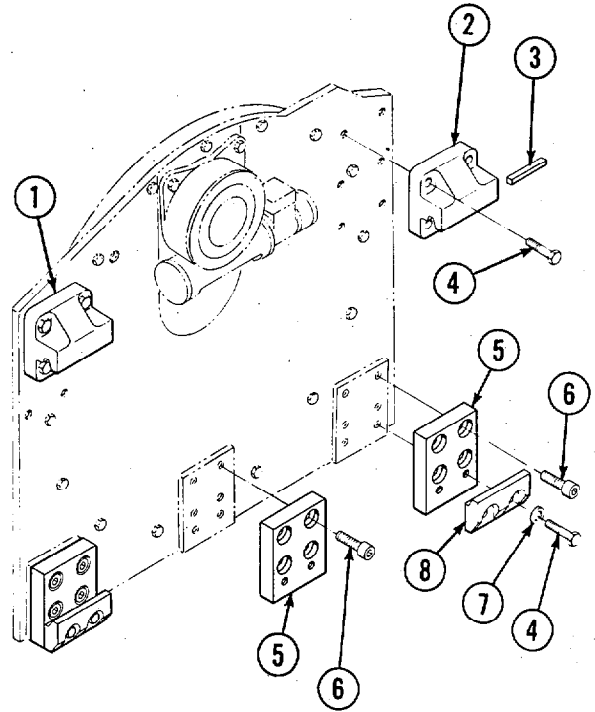
40/55D Class II, 0°			
REF	QTY	PART NO.	DESCRIPTION
		670520	Mounting Group
1	1	670523	Upper Hook - L.H.
2	1	670524	Upper Hook - R.H.
3	1	669344	Stop Kit
4	12	667765	Capscrew, 5/8 NC x 1.5 GR5
5	3	670526	Adapter Plate
6	12	622467	Capscrew, 5/8 NC x 1.25
7	4	667225	Washer
8	2	667370	Lower Hook

2257m

# Mounting Groups

55D/65D Class III, 4°			
REF	QTY	PART NO.	DESCRIPTION
		670521	Mounting Group
1	1	670527	Upper Hook - L.H.
2	1	670528	Upper Hook - R.H.
3	1	669344	Stop Kit
4	12	667369	Capscrew, 5/8 NC x 1.25 GR5
5	3	670530	Adapter Plate
6	12	622467	Capscrew, 5/8 NC x 1.25
7	4	667225	Washer
8	2	667371	Lower Hook

2443n



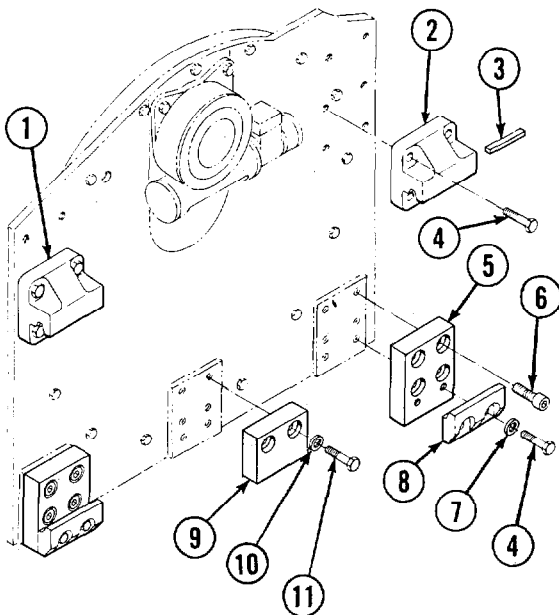
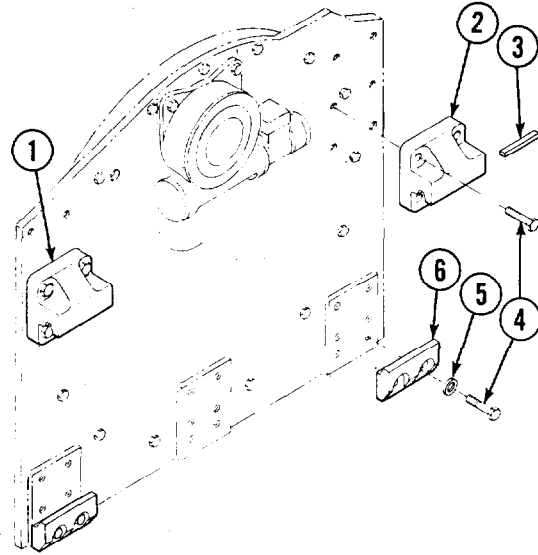
55D/65D Class III, 0°			
REF	QTY	PART NO.	DESCRIPTION
		670522	Mounting Group
1	1	670527	Upper Hook - L.H.
2	1	670528	Upper Hook - R.H.
3	1	669344	Stop Kit
4	12	667369	Capscrew, 5/8 NC x 1.25 GR5
5	3	670532	Adapter Plate
6	12	624337	Capscrew, 5/8 NC x 2.25
7	4	667225	Washer
8	2	667371	Lower Hook

2443n

# Mounting Groups

100D Class III, 4°			
REF	QTY	PART NO.	DESCRIPTION
		670683	Mounting Group
1	1	670684	Upper Hook - L.H.
2	1	670685	Upper Hook - R.H.
3	1	670704	Stop Kit
4	12	667369	Capscrew, 5/8 NC x 1.25 GR5
5	4	667225	Washer
6	2	667371	Lower Hook

2257o



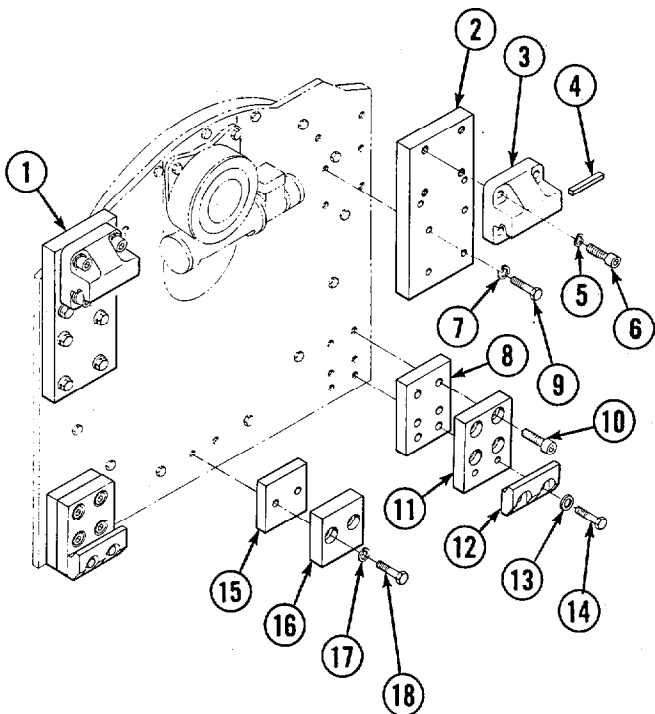
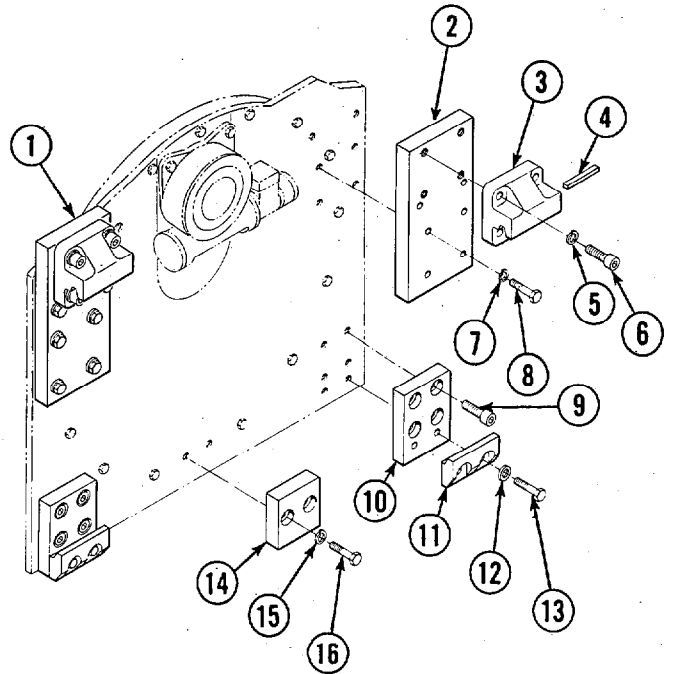
100D Class III, 0°			
REF	QTY	PART NO.	DESCRIPTION
		670686	Mounting Group
1	1	670684	Upper Hook - L.H.
2	1	670685	Upper Hook - R.H.
3	1	670704	Stop Kit
4	12	667369	Capscrew, 5/8 NC x 1.25 GR5
5	2	670668	Adapter Plate
6	8	622467	Capscrew, 5/8 NC x 1.25
7	4	667225	Washer
8	2	667371	Lower Hook
9	1	670687	Bumper
10	2	6290	Lockwasher, 1/2 ID
11	2	3655	Capscrew, 1/2 NC x 1.5

2443o

# Mounting Groups

100D Class IV, 4°			
REF	QTY	PART NO.	DESCRIPTION
		670689	Mounting Group
1	1	670690	Upper Hook - L.H.
2	2	670697	Adapter Plate
3	1	670691	Upper Hook - R.H.
4	1	670704	Stop Kit
5	8	6448	Lockwasher, 3/4 ID
6	8	607104	Capscrew, 3/4 x 1.75 GR8
7	12	6292	Lockwasher, 5/8 ID
8	12	638601	Capscrew, 5/8 NC x 2.0 GR5
9	8	622467	Capscrew, 5/8 NC x 1.25
10	2	670696	Adapter Plate
11	2	670694	Lower Hook
12	4	670692	Washer
13	4	670693	Capscrew, 3/4 NC x 1.75 GR5
14	1	670695	Bumper
15	2	6290	Lockwasher, 1/2 ID
16	2	3656	Capscrew, 1/2 NC x 1.75

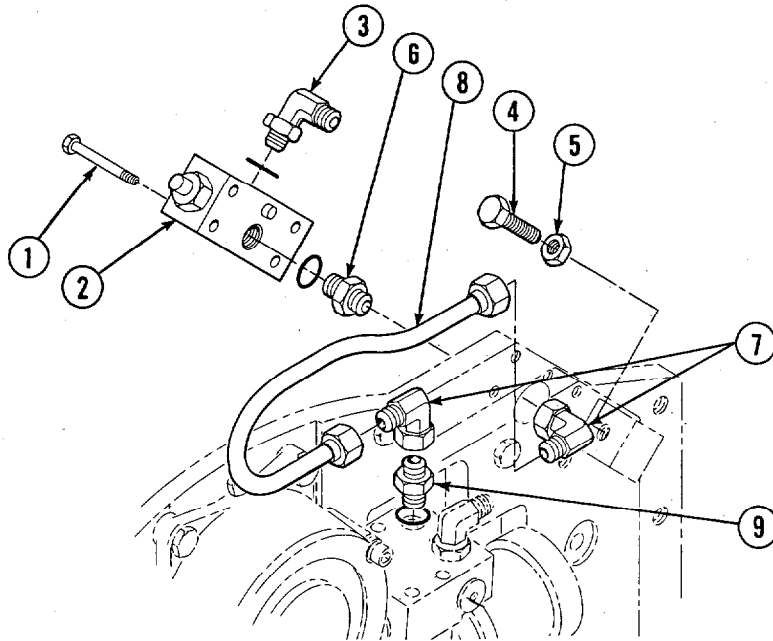
2443p



100D Class IV, 0°			
REF	QTY	PART NO.	DESCRIPTION
		670707	Mounting Group
1	1	670690	Upper Hook - L.H.
2	2	670697	Adapter Plate
3	1	670691	Upper Hook - R.H.
4	1	670704	Stop Kit
5	8	6448	Lockwasher, 3/4 ID
6	8	607104	Capscrew, 3/4 NC x 1.75 GR8
7	12	6292	Lockwasher, 5/8 ID
8	2	670700	Spacer
9	12	638601	Capscrew, 5/8 NC x 2.0 GR5
10	8	670698	Capscrew, 5/8 NC x 3.5
11	2	670696	Adapter Plate
12	2	670694	Lower Hook
13	4	670692	Washer
14	4	670693	Capscrew, 3/4 NC x 1.75 GR5
15	1	670699	Spacer
16	1	670695	Bumper
17	2	6290	Lockwasher, 1/2 ID
18	2	3664	Capscrew, 1/2 NC x 3.75

2443p

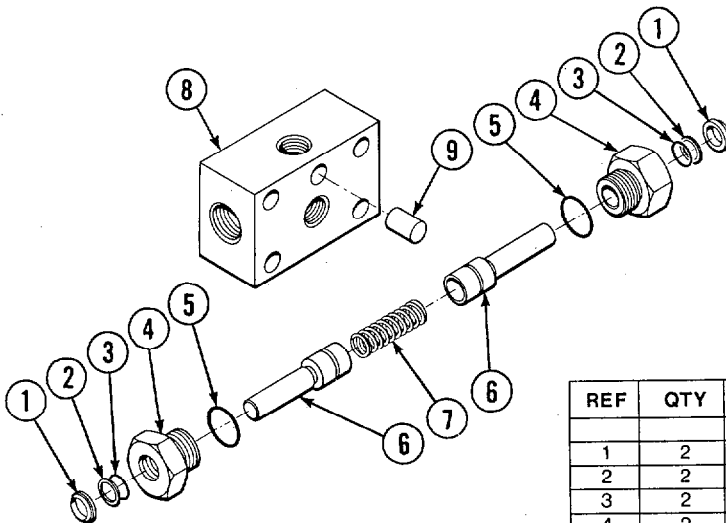
# 180° Stop Group



REF	QTY	40D/55D 65D PART NO.	100D PART NO.	DESCRIPTION
		670545	670703	Stop Group
1	4	670544	670544	Capscrew, 3/8 NC x 1.75
2	1	670537	670537	Valve Assembly
3	1	651303	651303	Fitting, 6-8
4	2	3710	3710	Capscrew, 5/8 NC x 1.75
5	2	5932	5932	Nut, 5/8 NC
6	1	662187	662187	Fitting, 6-8
7	1	605761	—	Fitting, 8-8
	2	—	605761	Fitting, 8-8
8	1	670543	670702	Tube Assembly
9	1	—	601377	Fitting

2443j

# Stop Valve



REF	QTY	PART NO.	DESCRIPTION
		670537	Stop Valve Assembly
1	2	670541	Wiper Ring
2	2	615006	Back-Up Ring
3	2	2702	O-Ring
4	2	670540	Gland
5	2	2841	O-Ring
6	2	670539	Plunger
7	1	670542	Spring
8	1	670538	Body
9	1	611210	Pin

2257j

# Recommended Spare Parts List

40D, 55D, 65D & 100 ROTATORS							
PART NUMBER				DESCRIPTION	ATTACHMENTS SERVICED		
40D	55D	65D	100D		1-5	6-19	20-50
675608	•	675608	675608	<b>DRIVE GROUP</b>			
670506	670506	670506	670556	Worm	0	1	2
670581	670581	670581	670581	Pinion	0	1	2
7214	7214	7214	7214	Bearing	0	1	1
643423	643423	643423	643423	Snap Ring	2	2	4
675329	675329	675329	675329	O-Ring	1	2	2
675474	675474	675475	675474	Drive Motor	0	1	1
668184	668184	668184	668184	Drive Motor Seal Kit	1	1	2
675638	•	675638	675638	Sealant	1	2	2
675637	•	675637	675637	Bearing Service Kit	1	1	2
656300	656300	656300	656300	Bearing Service Kit	1	2	2
				Gear Box Lube	1	2	2
670549	670549	670549	670549	<b>CHECK VALVE</b>			
				Check Valve Assembly	0	1	1
669344	669344	669344	670704	<b>STOP KIT</b>			
				Stop Kit	1	2	2
668209	668209	668209	668209	<b>PAINT, CASCADE YELLOW</b>			
				12 oz Aerosol Can	1	1	1
672946	672946	672946	672946	<b>PUBLICATIONS</b>			
672714	672714	672714	672714	Service Manual	1	1	1
676336	676336	676336	676336	Operator's Guide	1	1	1
				Parts Manual	1	1	1

2443z

• See specific parts page for parts number.



**Do you have questions you need answered right now? Call your nearest Cascade Parts Department.**

**Cascade Corporation**  
2501 Sheridan Avenue  
P.O. Box 360  
Springfield, Ohio 45505  
Tel: 513-322-1199  
Telex: 279563  
FAX: 513-325-9270

**Cascade (UK) Ltd.**  
15, Orgreave Crescent  
Dore House Industrial Estate  
Handsworth  
Sheffield S13 9NQ  
England  
Tel: 0742-697524/5/6/7  
Telex: 547254 cascsh g

**Cascade France S.A.R.L.**  
11, rue Jean Charcot  
Zone Industrielle Sud  
B.P. 22  
91421 Morangis Cedex  
France  
Tel: 1-69091139  
Telex: cascade 690016f

**Cascade Hydraulics Ltd.**  
5570 Timberlea Blvd.  
Mississauga, Ontario  
Cascade L4W-4M6  
Tel: 416-629-7777  
Telex: 069-60428  
FAX: 416-629-7785

**Cascade N.V.  
European Headquarters**  
P.O. Box 50086  
1305 AB Almere-Haven  
Achterwerf 240  
1357 CB Almere-Haven  
The Netherlands  
Tel: 03240-92911  
Telex: 40838 case nl  
FAX: 011-31-3240-92286

**Cascade Materials Handling  
(Aust.) Pty. Ltd.  
(Incorporated in N.S.W.)**  
121 Long Street  
Smithfield, N.S.W. 2164  
Australia  
Tel: 02-604-6222  
Te/Ac: 790-24302  
Cable: Cascaus  
FAX: 011-61-2-609-2742

**Cascade N.V.  
Benelux Sales and Service**  
P.O. Box 170  
1110 AD Diemen  
Weesperstraat 110  
1112 AP Diemen  
The Netherlands  
Tel: 020-906411  
Telex: 14495 casc nl

**Cascade Japan Ltd.**  
4-1,1-Chome,  
Shinsenri Higashimachi  
Toyonaka, Osaka 565  
Japan  
Tel: 06-835-2900  
Te/Ac: 781-5287115 Cascade J  
Cable: Cascadecfe, Osaka  
FAX: 011-816-835-2905

**Cascade Scandinavia  
Hydraulik A.B.**  
Muskotgatan 17-(E.8-9)  
252 55 Helsingborg  
Sweden  
Tel: 042-151135  
Telex: 72565 caschbg s

**Cascade Materials Handling  
(Aust.) Pty. Ltd.**  
44E Winterton Road  
Clayton, Victoria 3168  
Australia  
Tel: 03-543-4344  
Cable: Casmel

**Cascade Hispania S.A.**  
Avenida De La Fabregada, 7  
Hospitalet De Llobregat  
Barcelona  
Spain  
Tel: 93-3355158  
Telex: 54018 casc e

**Cascade (Africa) Pty. Ltd.**  
P.O. Box 625, Isando 1600  
60A Steel Road,  
Sparton, Kempton Park  
South Africa  
Tel: 011-974-5611/2/3/4/5  
Telex: 4-29718 S.A.

**Cascade GmbH**  
Klosterhofweg 52  
4050 Monchengladbach 3  
B.R. Deutschland  
Tel: 02166-602091  
Telex: 852812 casc d

