



Parts Manual

Model 40D Bin Dumper

Serial Number 40D-BD-036

cascade[®]

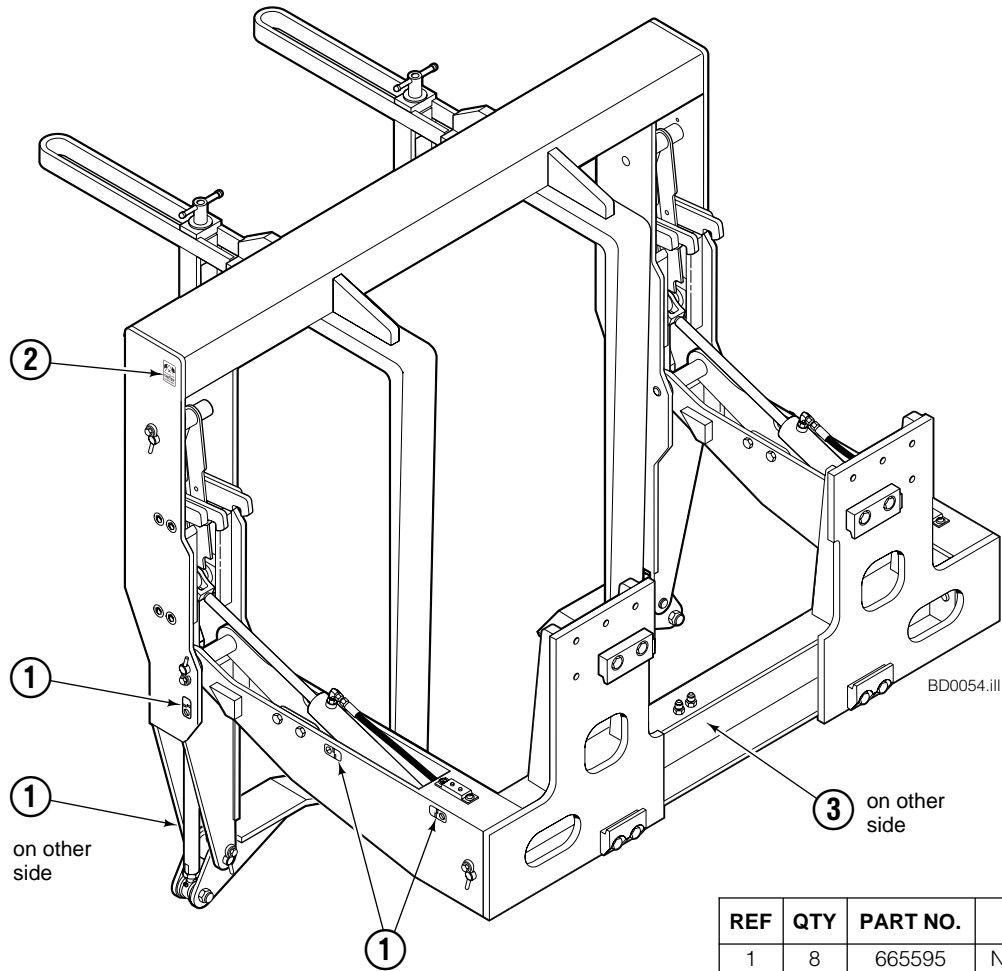
For Technical Assistance call: 800-227-2233, Fax: 888-329-8207

To Order Parts call: 888-227-2233, Fax: 888-329-0234

OR

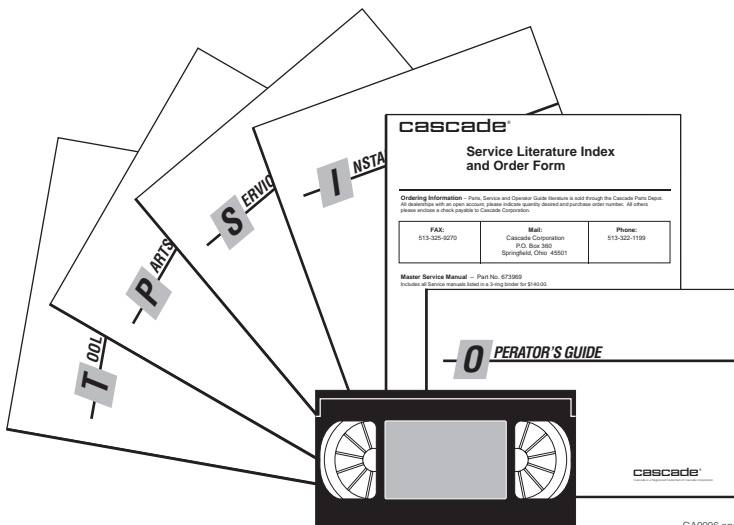
Write: Cascade Corporation, P.O. Box 20187, Portland, OR 97220

Decals



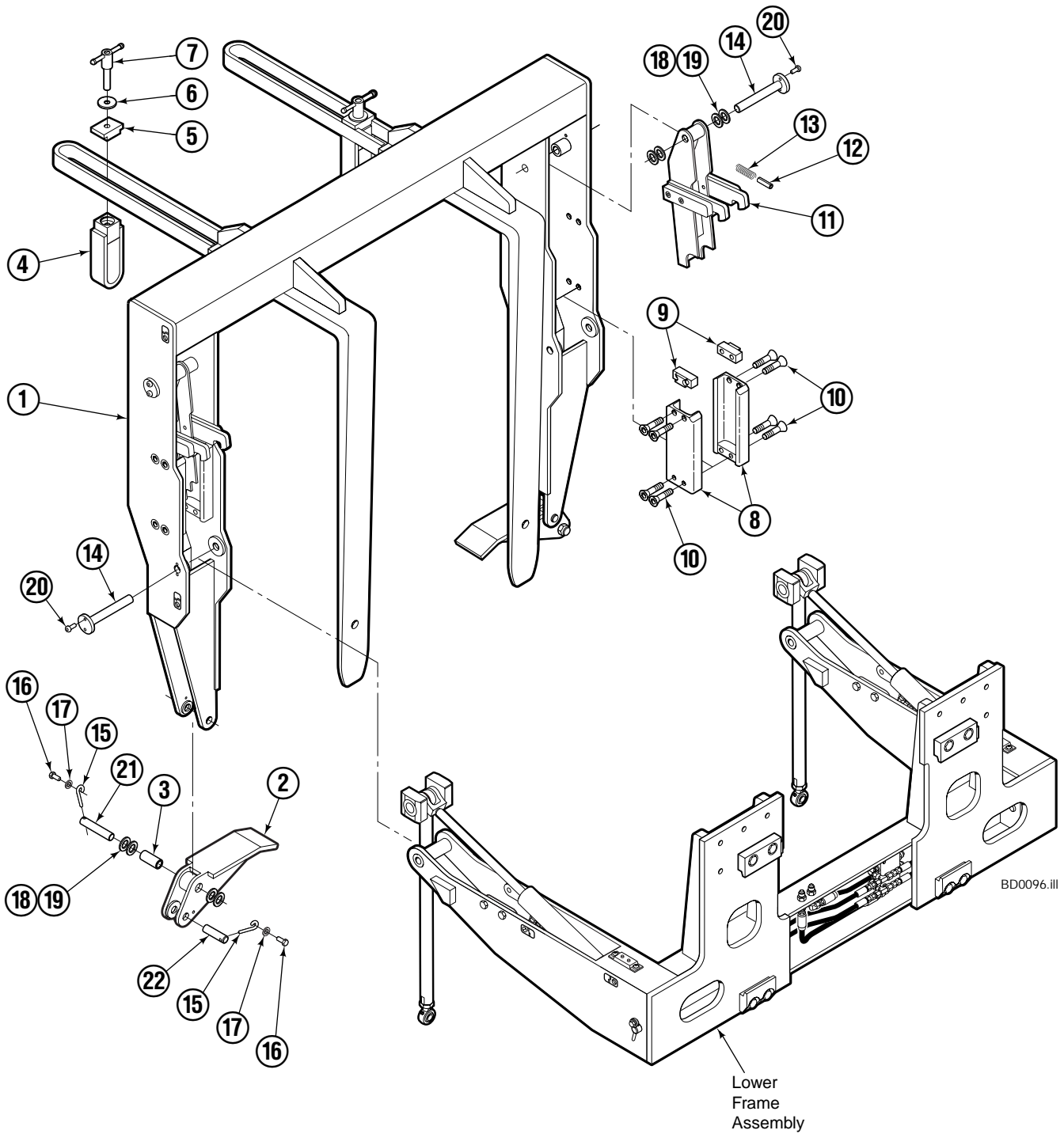
REF	QTY	PART NO.	DESCRIPTION
1	8	665595	No Hand Hold Decal
2	2	656038	Caution Decal
3	1	211274	Eagle – 80 mm

Publications



PART NO.	DESCRIPTION
40D-BD-003	Parts Manual
219472	Service Manual
217562	Operators Guide
217666	Installation Instructions
680664	Servicing Cascade Cylinders-VHS
679929	Tool Catalog
673964	Literature Index Order Form

Upper Frame Assembly



BD0096.iii

Upper Frame Assembly

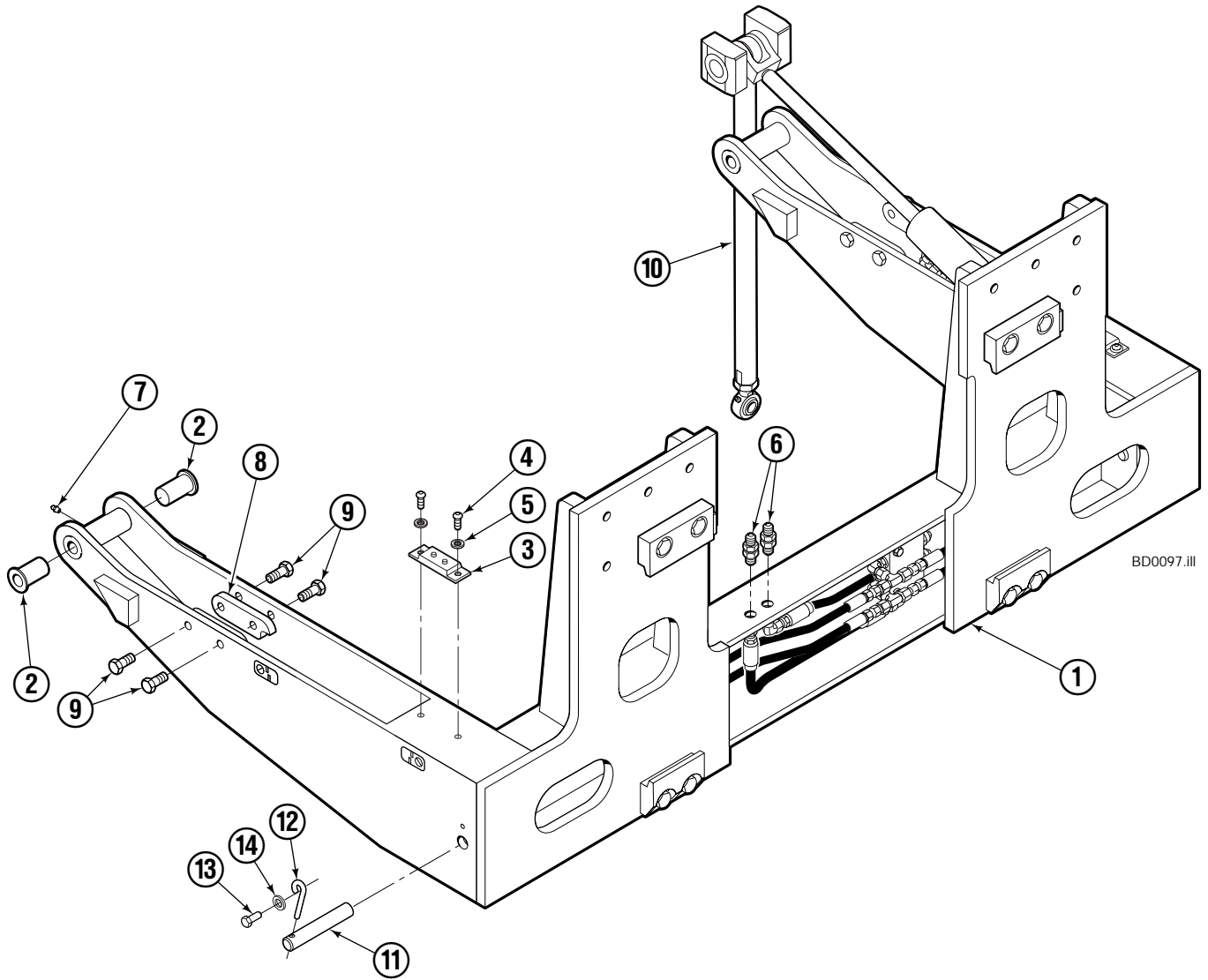
40D			
REF	QTY	PART NO.	DESCRIPTION
		3011650	Upper Frame Assembly
1	1	220439	Upper Frame
2	2	220940	Foot Assembly
3	4	204535	Bushing ▲
4	2	399476	Hold Down Assembly
5	2	399481	Clamp ■
6	2	6236	Washer ■
7	2	399477	Handle ■
8	4	220944	Housing
9	4	224484	Housing Cap
10	16	768712	Capscrew, M16x40-8.8
11	2	224554	Latch Assembly
12	2	7960	Roll Pin
13	2	396995	Spring
14	4	220433	Pin
15	4	689954	Eye Pin
16	4	767961	Capscrew, M8x16-8.8
17	4	6229	Washer, 3/8
18	16	676069	Shim
19	24	676070	Shim
20	8	220436	Capscrew, M6x16-10.9
21	2	399484	Pin
22	2	224509	Pin

▲ Included in Foot Assembly 399470.

■ Included in Hold Down Assembly 399476.

Reference: Common Parts Group 3011715, SK-6290, SK-6288.

Lower Frame Assembly

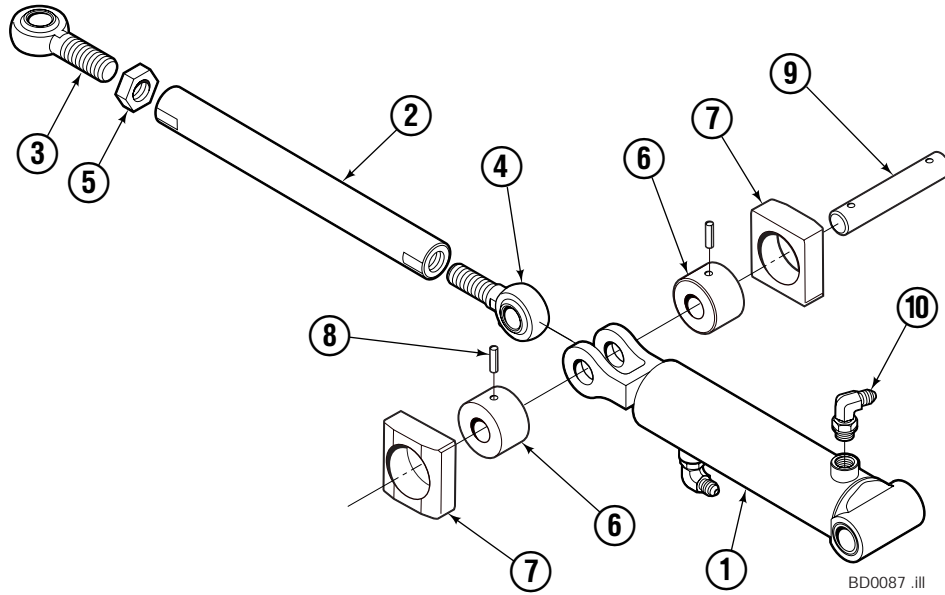


BD0097.III

40D			
REF	QTY	PART NO.	DESCRIPTION
		3011649	Lower Frame Assembly
1	1	10148-1219	Lower Frame
2	4	399116	Bushing
3	2	661785	Cushion
4	4	4869	Capscrew, 3/8 x .50 GR8
5	4	6287	Lockwasher, 3/8
6	2	2375	Fitting, 6-6
7	2	7403	Grease Fitting
8	4	219381	Latch Plate
9	8	763101	Capscrew, M16x25-8.8
10	1	224521	Push Rod Group ▲
11	2	399115	Pin
12	2	689954	Eye Pin
13	2	767961	Capscrew, M8x16
14	2	6229	Washer

▲ See Push Rod Group page for parts breakdown.
Reference: Common Parts Group 220541, SK-6293.

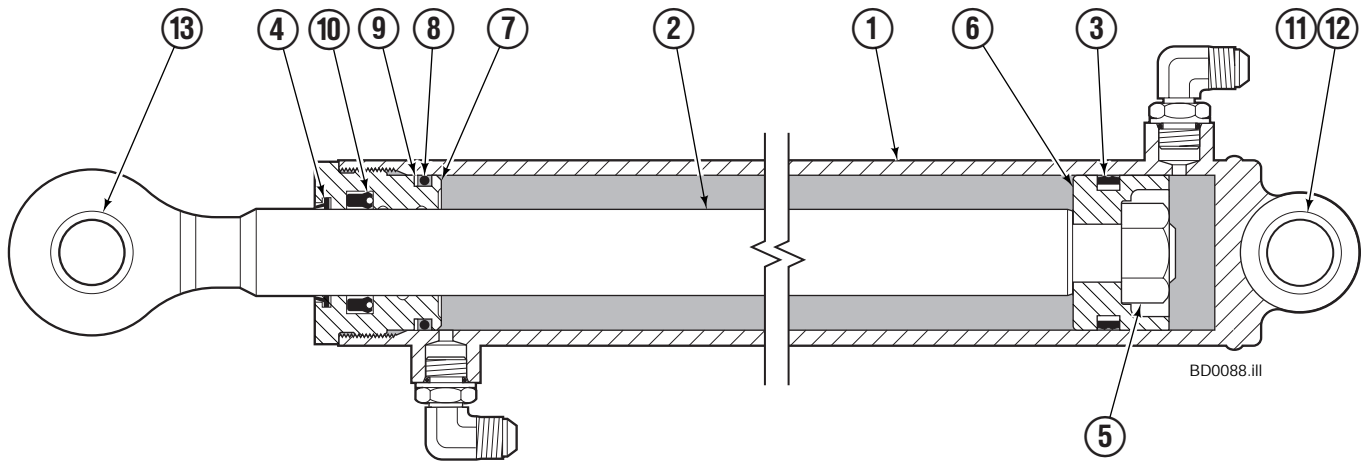
Push Rod Group



40D			
REF	QTY	PART NO.	DESCRIPTION
		224521	Push Rod Group
1	2	3011636	Cylinder ▲
2	2	10638-720	Push Rod
3	2	3010449	Rod End
4	2	3010450	Rod End
5	2	3012691	Jam Nut, M22
6	4	220947	Stub Shaft
7	4	224409	Bearing
8	2	3010451	Pin
9	4	7917	Roll Pin
10	4	666984	Fitting, 6-6

▲ See Cylinder Assembly page for parts breakdown.
Reference: Common Parts Group 224526, SK-6291, SK-6451.

Cylinder Assembly

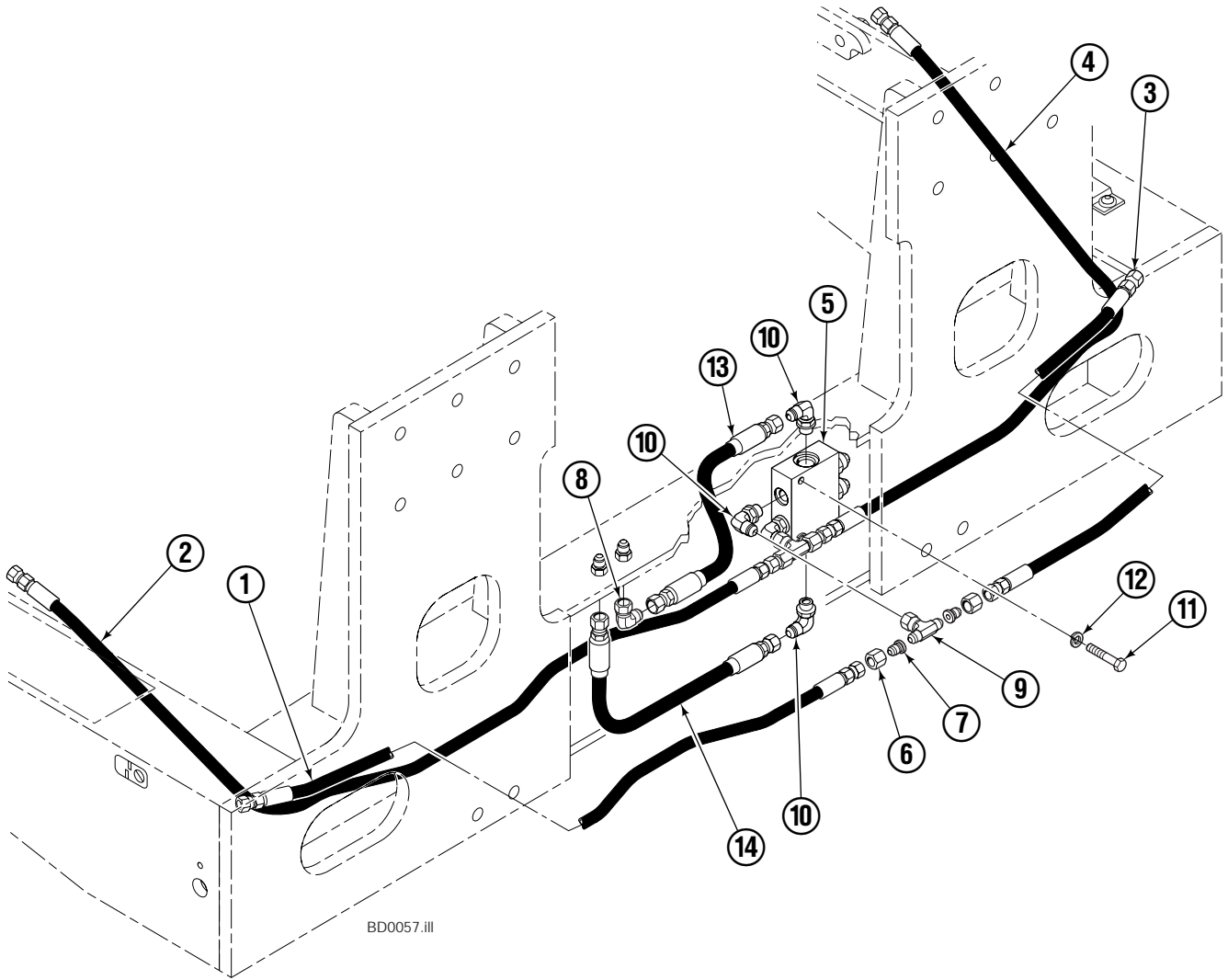


40D			
REF	QTY	PART NO.	DESCRIPTION
		3011636	Cylinder Assembly
1	1	3011637	Shell
2	1	3011638	Rod
3	1	564158	Seal ▲
4	1	636853	Wiper ▲
5	1	678019	Nut
6	1	564160	Piston
7	1	559696	Retainer
8	1	2785	O-Ring ▲
9	1	615128	Back-Up Ring ▲
10	1	662448	Seal ▲
11	2	559697	Bushing
12	1	559698	Spacer
13	2	683153	Bushing
		562338	Service Kit

▲ Included in Service Kit 562338.

Reference: S-10497, S-10494.

Hydraulic Group

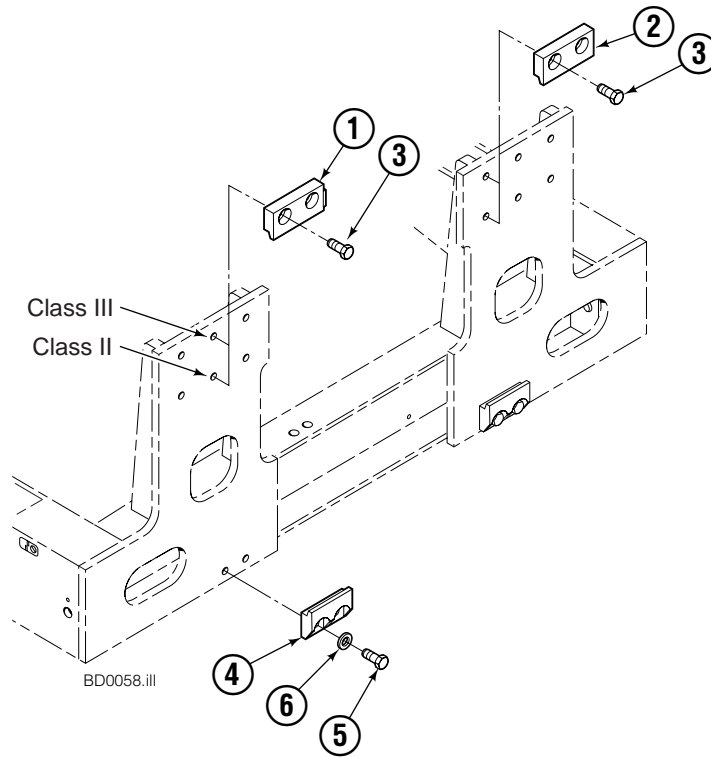


40D							
REF	QTY	Bin Width					DESCRIPTION
		46 in.	48 in.	50 in.	60 in.	72 in.	
		PART NO.	PART NO.	PART NO.	PART NO.	PART NO.	
		222372	220160	220161	220515	220516	Hose Group
1	1	222428	398281	207572	221622	221620	Hose
2	1	222429	386480	383891	221623	221621	Hose
3	1	397035	381597	207284	398281	221622	Hose
4	1	388419	207234	207568	386480	221623	Hose

REF	QTY	PART NO.	DESCRIPTION	REF	QTY	PART NO.	DESCRIPTION
		220159	Hydraulic Group	10	4	601676	Fitting, 6-6
5	1	220156	Valve Assembly	11	2	360785	Capscrew
6	4	2617	Fitting, 6	12	2	6287	Lockwasher
7	4	2669	Fitting, 6-4	13	1	361753	Hose
8	1	2680	Fitting, 6-6	14	1	359124	Hose
9	2	610892	Fitting, 6-6				

Reference: SK-6370.

Bolt-On Mounting – Dual



40D			
REF	QTY	ITA II & ITA III PART NO.	DESCRIPTION
		3004536	Mounting Group
1	1	3005168	Upper Hook – LH
2	1	3005169	Upper Hook – RH
3	4	752903	Capscrew, M16x45-8.8
4	2	▲ 675968	Lower Hook
	2	■ 675969	Lower Hook
5	4	▲ ■ 779009	Capscrew, M16x30-8.8
6	4	▲ ■ 667225	Washer, 5/8

▲ Included in Lower Hook Group 391334.

■ Included in Lower Hook Group 391335.

Reference: SK-6399.

Do you have questions you need answered right now? Call your nearest Cascade Parts Department.

Cascade Corporation
2501 Sheridan Avenue
Springfield, OH 45505
Tel: 888-CASCADE (227-2233)
FAX: 888-329-0234

Cascade Canada Inc.
5570 Timberlea Blvd.
Mississauga, Ontario
Canada L4W-4M6
Tel: 905-629-7777
FAX: 905-629-7785

Cascade GmbH
D-41199 Monchengladbach
Klosterhofweg 52
Germany
Tel: 21-66-602091
FAX: 21-66-680947

Cascade Finland
01370 Vantas
Finland
Tel: 358-0-836-1925
FAX: 358-0-836-1935

**Cascade N.V.
European Headquarters**
P.O. Box 3009
1300 El Almere
Damsluisweg 56
1332 ED Almere
The Netherlands
Tel: 31-36-5492911
FAX: 31-36-5492964

**Cascade N.V.
Benelux Sales and Service**
P.O. Box 3009
1300 El Almere
Damsluisweg 56
1332 ED Almere
The Netherlands
Tel: 31-36-5492950
FAX: 31-36-5492974

Cascade (UK) Ltd.
15, Orgreave Crescent
Dore House Industrial Estate
Handsworth
Sheffield S13 9NQ
England
Tel: 742-697524
FAX: 742-695121

**Cascade Scandinavia
Hydraulik A.B.**
Muskötgatan 19, E8-9
S25466 Helsingborg
Sweden
Tel: 42-151135
FAX: 42-152997

Cascade Norway
Østerliveien 37A
1153 Oslo
Norway
Tel: 47-22-743160
FAX: 47-22-743157

Cascade France S.A.R.L.
11, Rue Jean Charcot
Zone Industrielle Sud or
B.P. 22
91421 Morangis Cedex
France
Tel: 1- 64547501
FAX: 1-9790584

Cascade Hispania S.A.
Avenida De La Fabregada, 7
Hospitalet De Llobregat
Barcelona
Spain
Tel: 3-335-5158
FAX: 3-335-4756

Cascade Japan Ltd.
5-5-41,
Torikai Kami
Settsu, Osaka
Japan, 566
Tel: 81-726-53-3490
FAX: 81-726-53-3497

Cascade Korea
Room 508, Pum Yang Bldg.
750-14, Bang Bac-Dong
Se-Cho Ku, Seoul
Korea
Tel: 2599-7131 ext. 512
FAX: 2533-8089

HYCO-Cascade Pty. Ltd.
1445 Ipswich Road
Rocklea,
Queensland 4107
Australia
Tel: 3-274-2722
FAX: 3-274-3456

HYCO-Cascade (NZ) Ltd.
15 Ra Ora Drive, East Tamaki
P.O. Box 38-440
Howick, Auckland
New Zealand
Tel: 9-273-9136
FAX: 9-273-9137

Cascade (Africa) Pty. Ltd.
P.O. Box 625, Isando 1600
60A Steel Road
Sparton, Kempton Park
South Africa
Tel: 975-9240
FAX: 394-1147

Cascade-Xiamen
Wanshan No. 1 Workshop
Huli Road
Xiamen 361006
Fujian, PRC
Tel: 592-562-4600
FAX: 592-562-4671

**Cascade (Singapore)
Trading Co.**
Four Seasons Park
Autumn Block - Apt. 1802
12 Cascaden Walk
Singapore
Tel: 65-834-1935
FAX: 65-834-1936

