



# Technical Bulletin

## 55F Sideshifter Anchor Plate & Bearing Identification

This sheet describes how to identify the correct upper bearing replacements for Cascade F-Series Sideshifters.

Two different Cylinder/Anchor Plate designs are used, requiring different bearings for each. **IMPORTANT:** The sideshifter anchor plate must be identified before replacement bearings are ordered. Lower sideshifter bearings are not affected.

**Cylinder/Anchor Plate Identification** – The cylinder/anchor plate assembly part number is stamped on the LH back of the anchor plate as shown. The original anchor plate design (Figure 1) has a rear section that is a constant thickness. The revised anchor plate design (Figure 2) has a rear section that is bevelled. Sideshift the unit fully to see the end of the anchor plate for identification.

**WARNING:** Assure that the correct upper bearings are used. Use of the wrong bearings will cause improper sideshifter engagement with the upper carriage bar and may result in premature wear, equipment damage or bodily injury.

**Upper Bearing Identification** – The bearing part number is stamped on the top of the bearing mounting boss as shown below. Figure 1 shows the bearing that must be used with the original anchor plate design. Figure 2 shows the bearing that must be used with the revised anchor plate design. **Bearings are not interchangeable between the two designs.**

Figure 1 – Original

Note constant thickness on rear section of parts.

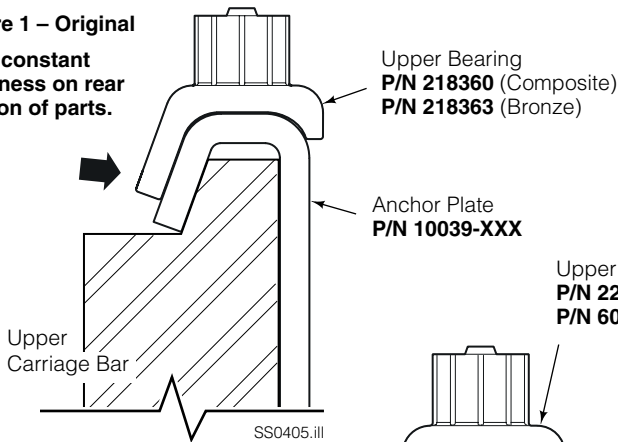
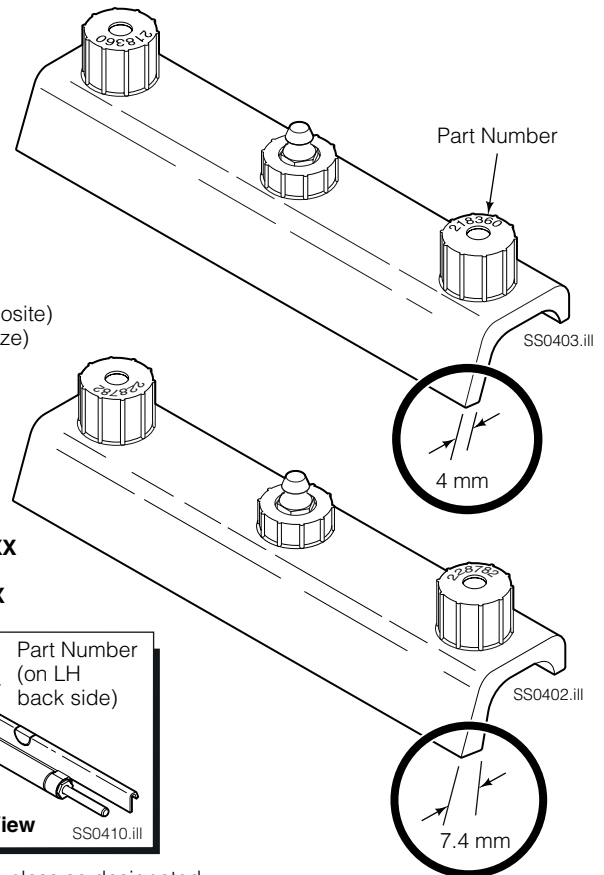
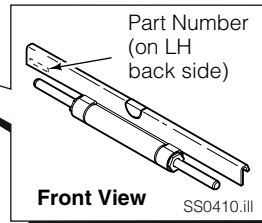
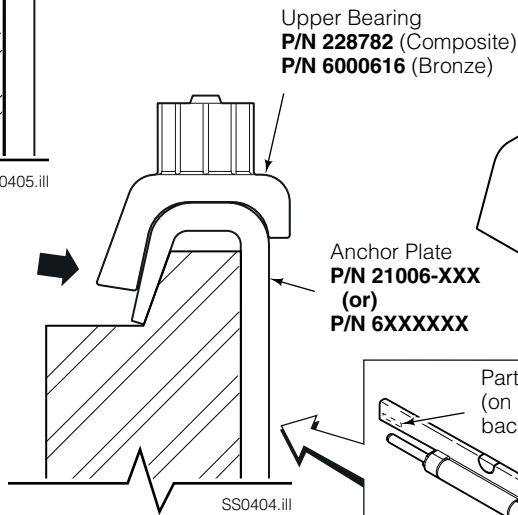


Figure 2 – Revised

Note varying thickness on rear section of parts.



**NOTE:** This information should not be interpreted as the basis for warranty claims unless so designated.



**For Technical Support . . .**

Call: 1-800-227-2233 Fax: 1-888-329-8207  
Internet: www.cascorp.com  
Write: Cascade Corporation, PO Box 20187, Portland, OR 97294

**To Order Parts . . .**

Call: 1-888-227-2233 Fax: 1-888-329-0234  
Internet: www.cascorp.com  
Write: Cascade Corporation, 2501 Sheridan Ave., Springfield, OH 45505