



Technical Bulletin

30C/55C Sideshifter Cylinder Service Kit 559972 and 559974

This sheet provides instructions for 30C/55C Sideshifter Cylinder Service Kit 559972 (includes seals, new retainer and snap ring). Seal Service Kit 559974 contains the seals only.

Cylinder Removal



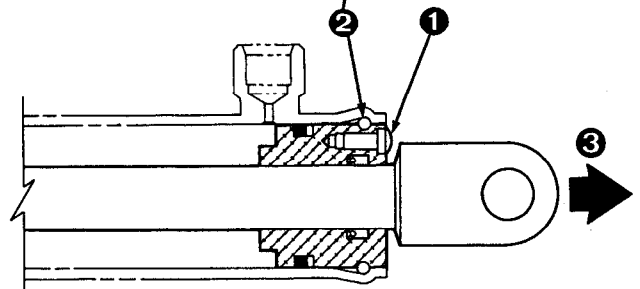
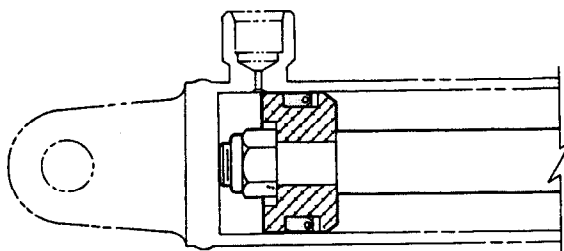
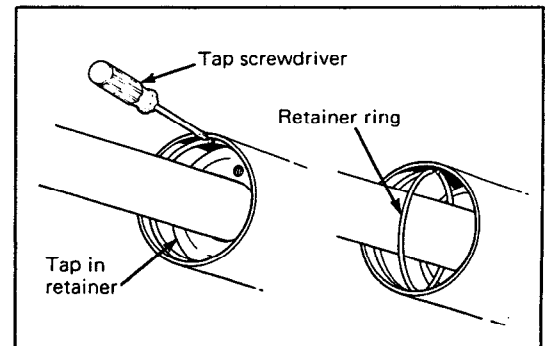
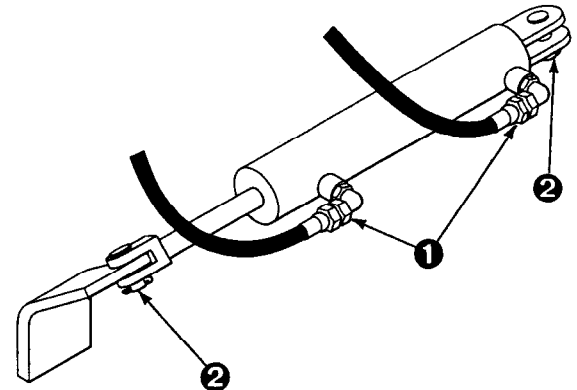
WARNING: Before removing any hoses, relieve pressure in the hydraulic system. Turn the truck off, then open the truck auxiliary control valve(s) several times in both directions.

- 1 Remove, tag and plug the hoses to the cylinder.
- 2 Remove the cotter pins from the anchor pins retaining the cylinder to the anchors.
- 3 Drain oil from cylinder.

Cylinder Service

- 1 Remove the capscrews fastening the washer to the retainer. Pull the rod out about 4 in. and slide the washer away from the retainer.
- 2 Remove the retaining ring by first tapping the retainer into the shell. Place a screwdriver on one side of the ring and tap the screwdriver with a hammer. Take care not to gouge the shell bore with the screwdriver. The retainer ring will compress at the split and turn sideways as shown at right. Remove the retaining ring.
- 3 Pull the rod assembly out of the shell.

(Continued)



NOTE: This information should not be interpreted as the basis for warranty claims unless so designated.
Part No. 559973

cascade®

For Technical Assistance and to Order Parts . . .

Call: 1-800-CASCADE (227-2233) or 503-669-6300

FAX: 503-669-6367

Write: Cascade Corporation, PO Box 20187, Portland, OR 97220

- 4 Remove the nut fastening the piston to the rod.
- 5 Remove the piston and retainer from the rod.
- 6 Remove and replace the piston seals using a blunt screwdriver. Do not gouge the piston or retainer. **Discard the old retainer. Install seals to the new retainer.**
- 7 For reassembly, reverse the above procedures except as follows:
 - Tighten the piston nut to a torque of 40–45 ft.-lbs.
 - Install snap ring to the retainer.

NOTE: Once a new retainer has been installed, the cylinder can be serviced with Seals Service Kit 559974.

