



Parts Manual

Model _____ Fork Positioner

Serial Number _____ 100F-FPS-447

cascade[®]
corporation

For Technical Assistance call: 800-227-2233, Fax: 888-329-8207

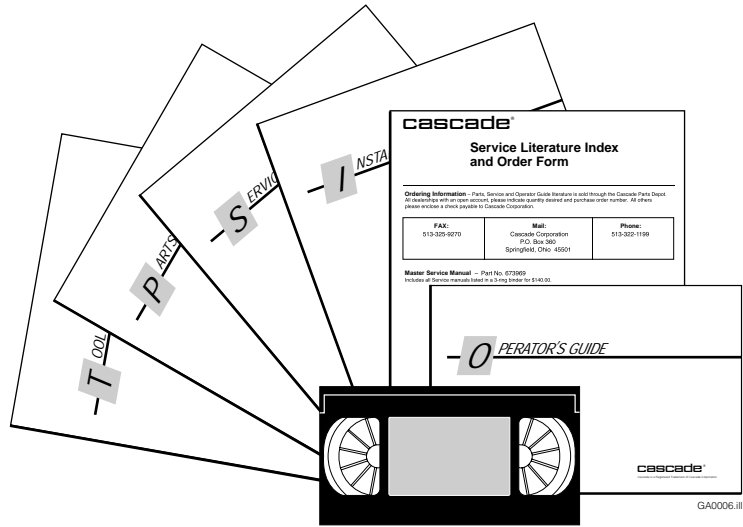
To Order Parts call: 888-227-2233, Fax: 888-329-0234

OR

Write: Cascade Corporation, P.O. Box 20187, Portland, OR 97220

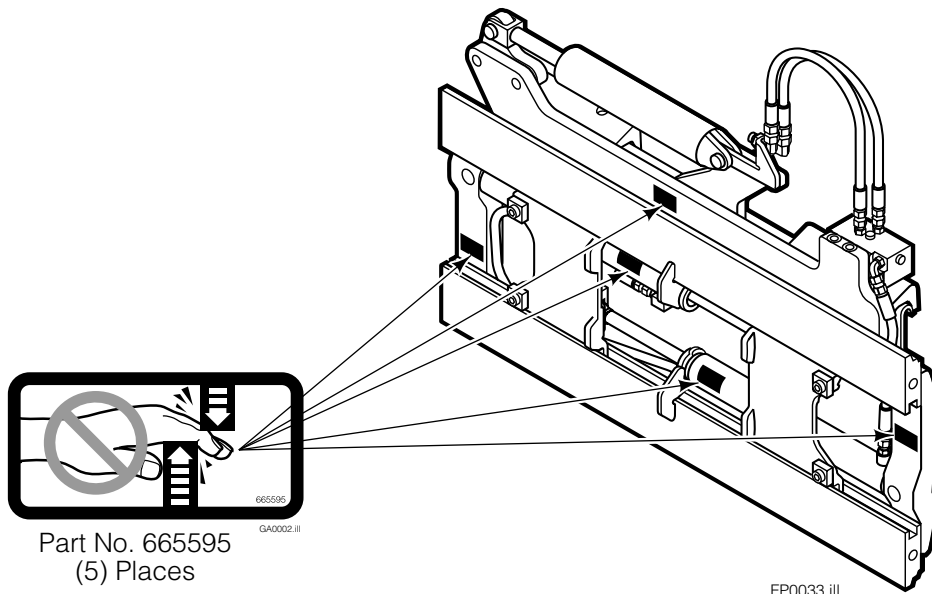
Internet: www.cascorp.com

Publications



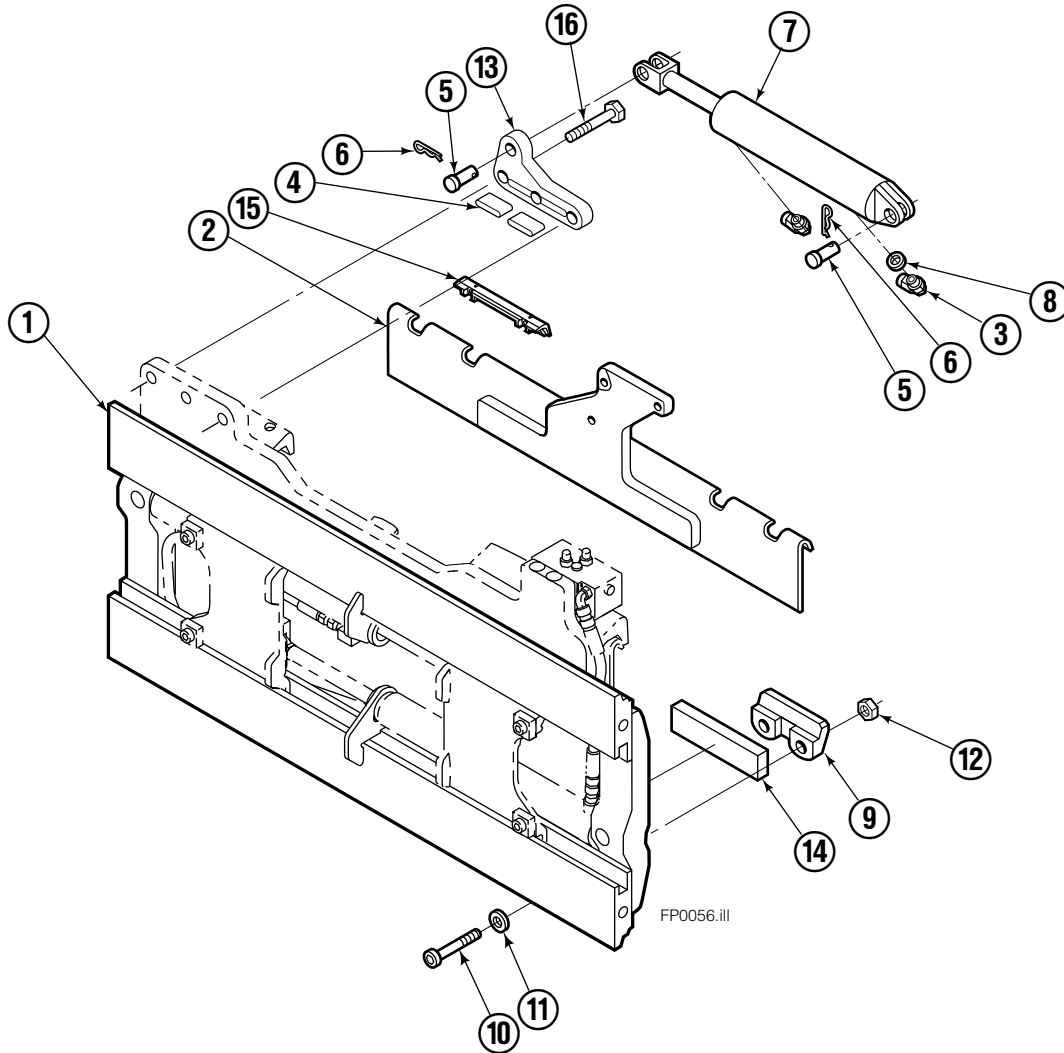
| 100F | |
|----------|---------------------------------|
| PART NO. | DESCRIPTION |
| | Parts Manual |
| 208743 | Service Manual |
| 688261 | Operators Guide |
| 207363 | Installation Instructions |
| 680664 | Servicing Cascade Cylinders-VHS |
| 679929 | Tool Catalog |
| 673964 | Literature Index Order Form |

Safety Decals



Part No. 665595
(5) Places

Mounting Group Sideshifting

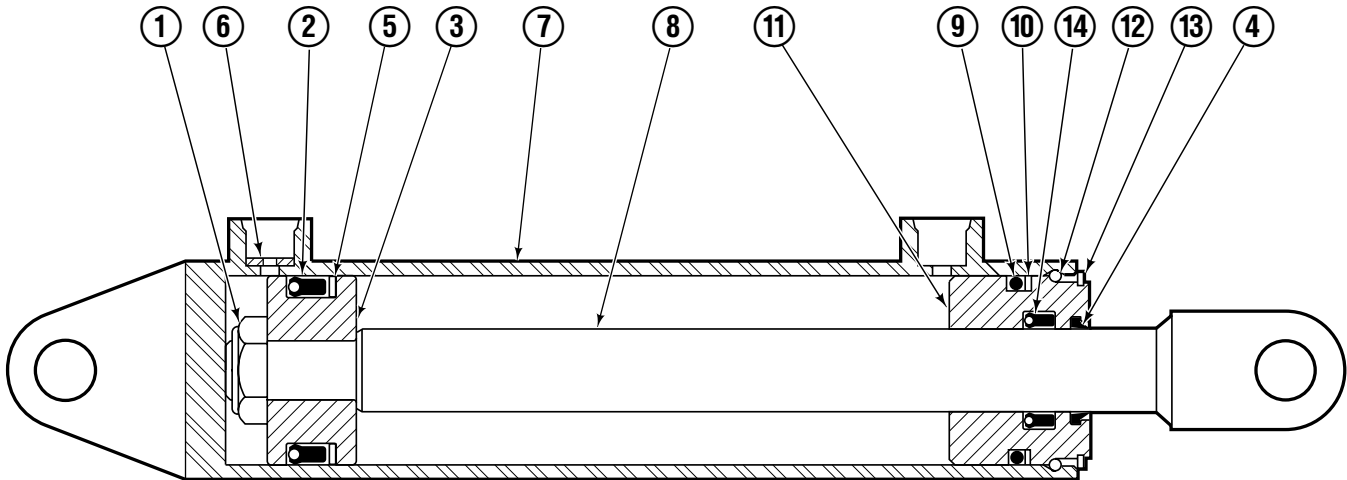


Reference:
BC-106
SK-6042
2S-4096

| 100F | | | | | | | |
|------|-----|----------|-----------------------------|-----|-----|----------|--------------------------|
| REF | QTY | PART NO. | DESCRIPTION | REF | QTY | PART NO. | DESCRIPTION |
| | | 209450● | Sideshifting Mounting-41" ■ | 9 | 2 | 204186 | Lower Hook |
| 1 | 1 | 209384 | Frame-41" ■ | 10 | 4 | 766154 | Capscrew, M16x2,0x40-8.8 |
| 2 | 1 | 209393 | Anchor Bracket-41" ■ | 11 | 4 | 667225 | Washer |
| 3 | 2 | 601676 | Fitting, 6-6 | 12 | 4 | 678990 | Nut |
| 4 | 2 | 209542 | Key, M10x8x63 | 13 | 1 | 209309 | Lug |
| 5 | 2 | 678528 | Clevis Pin | 14 | 2 | 208350 | Lower Bearing |
| 6 | 2 | 672726 | Hairpin Cotter | 15 | 2 | 672018 | Upper Bearing |
| ◆7 | 1 | 676649 | Cylinder Assembly | 16 | 3 | 752907 | Capscrew, M20x50 Lg-8.8 |
| 8 | 1 | 675550 | Washer (orifice .085) | | | | |

- Carriage width.
- Includes items 2 through 16.
- ◆ See Cylinder page for parts breakdown.

Sideshift Cylinder

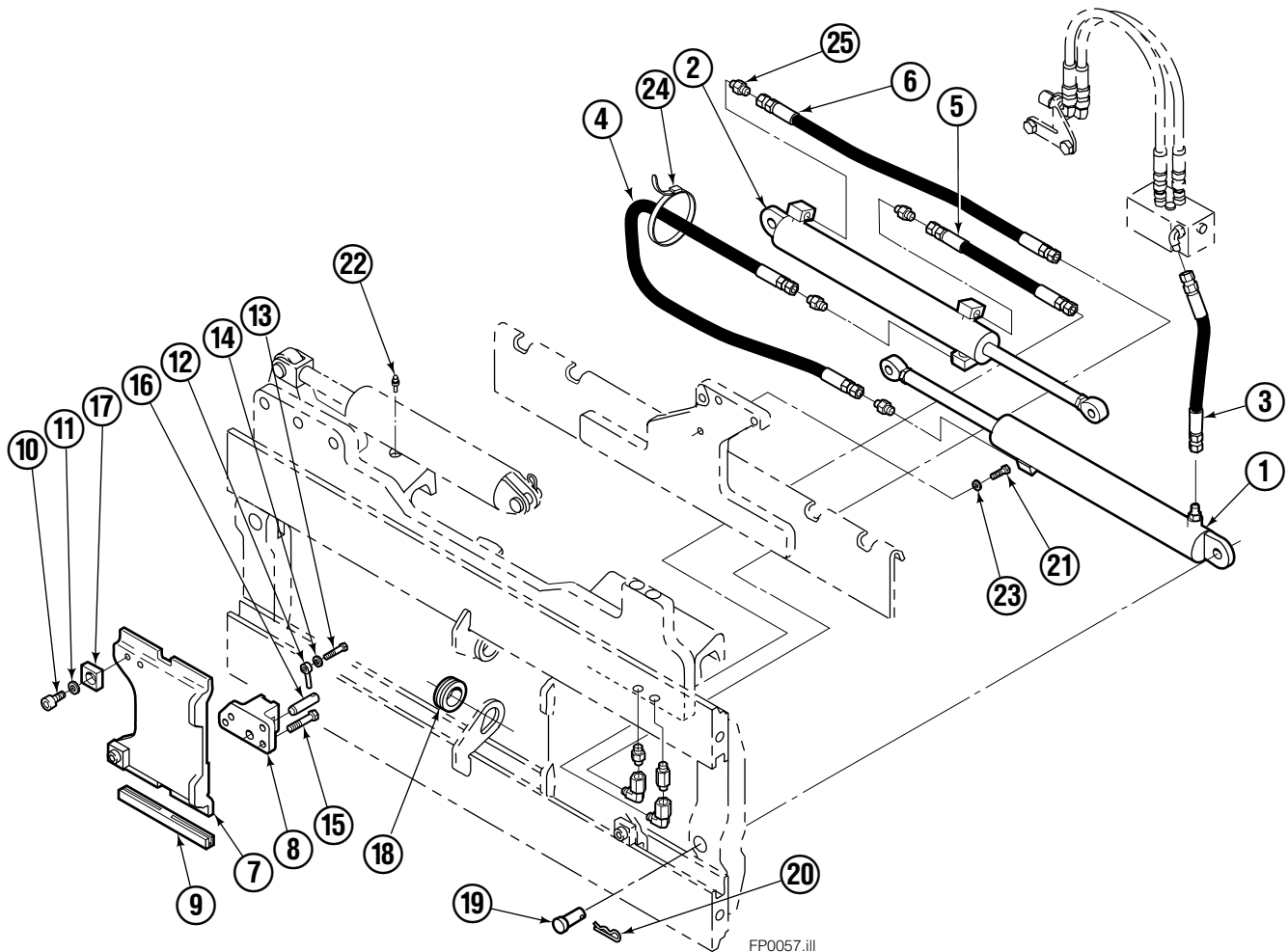


FP0029.ill

| REF | QTY | PART NO. | DESCRIPTION |
|------|-----|----------|-----------------------|
| | | 676649 | Cylinder Assembly |
| 1 | 1 | 553717 | Nut |
| ■ 2 | 1 | 662456 | Seal |
| 3 | 1 | 553527 | Piston |
| ■ 4 | 1 | 636852 | Wiper |
| ■ 5 | 1 | 649817 | Back-up Ring |
| 6 | 1 | 675550 | Washer (orifice .085) |
| 7 | 1 | 676776 | Shell |
| 8 | 1 | 553530 | Rod |
| ■ 9 | 1 | 2789 | O-Ring |
| ■ 10 | 1 | 615132 | Back-up Ring |
| 11 | 1 | 553528 | Retainer |
| 12 | 1 | 553688 | Retaining Ring |
| 13 | 1 | 7211 | Snap Ring |
| ■ 14 | 1 | 662447 | Seal |
| | | 553866 | Service Kit |

■ Included in Service Kit 553866.

Hydraulic/Fork Group



Reference:
BC-106
SK-6042

100F

| REF | QTY | PART NO. | DESCRIPTION | REF | QTY | PART NO. | DESCRIPTION |
|-----|-----|----------|-----------------------------------|-----|-----|----------|----------------|
| | | ●209464 | Hydraulic Group – 41 in. ■ | 13 | 2 | 763169 | Capscrew |
| | | □209502 | Fork Group | 14 | 2 | 680217 | Lockwasher |
| ◆1 | 1 | 209486 | Cylinder Assembly L.H. – 41 in. ■ | 15 | 8 | 681370 | Capscrew |
| ▼2 | 1 | 209493 | Cylinder Assembly R.H. – 41 in. ■ | 16 | 2 | 209308 | Pin |
| 3 | 1 | 209514 | Hose – 41 in. ■ | 17 | 4 | 209306 | Block |
| 4 | 1 | 209521 | Hose – 41 in. ■ | 18 | 2 | 209305 | Grommet |
| 5 | 1 | 209528 | Hose | 19 | 2 | 661675 | Clevis Pin |
| 6 | 1 | 209529 | Hose – 41 in. ■ | 20 | 2 | 672726 | Hairpin Cotter |
| 7 | 2 | 209391 | Fork Carrier | 21 | 1 | 763022 | Capscrew |
| 8 | 2 | 209280 | Lug | 22 | 2 | 7403 | Grease Fitting |
| 9 | 4 | 209303 | Bearing | 23 | 1 | 681238 | Lockwasher |
| 10 | 4 | 768838 | Capscrew | 24 | 1 | 200008 | Cable Tie |
| 11 | 4 | 678992 | Lockwasher | 25 | 5 | 604511 | Fitting, 6-6 |
| 12 | 2 | 206923 | Eyebolt | | | | |

■ Carriage width.

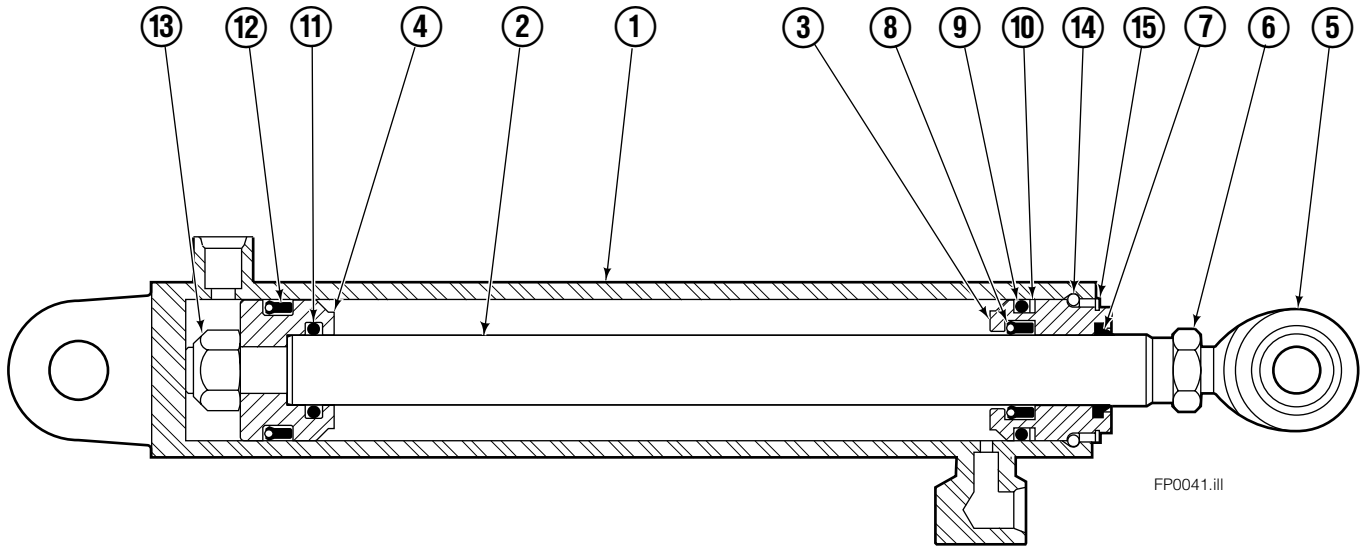
◆ See L.H. Cylinder page for parts breakdown.

▼ See R.H. Cylinder for parts breakdown.

● Includes items 1 through 6.

□ Includes items 7 through 25.

Left Hand Cylinder



FP0041.iii

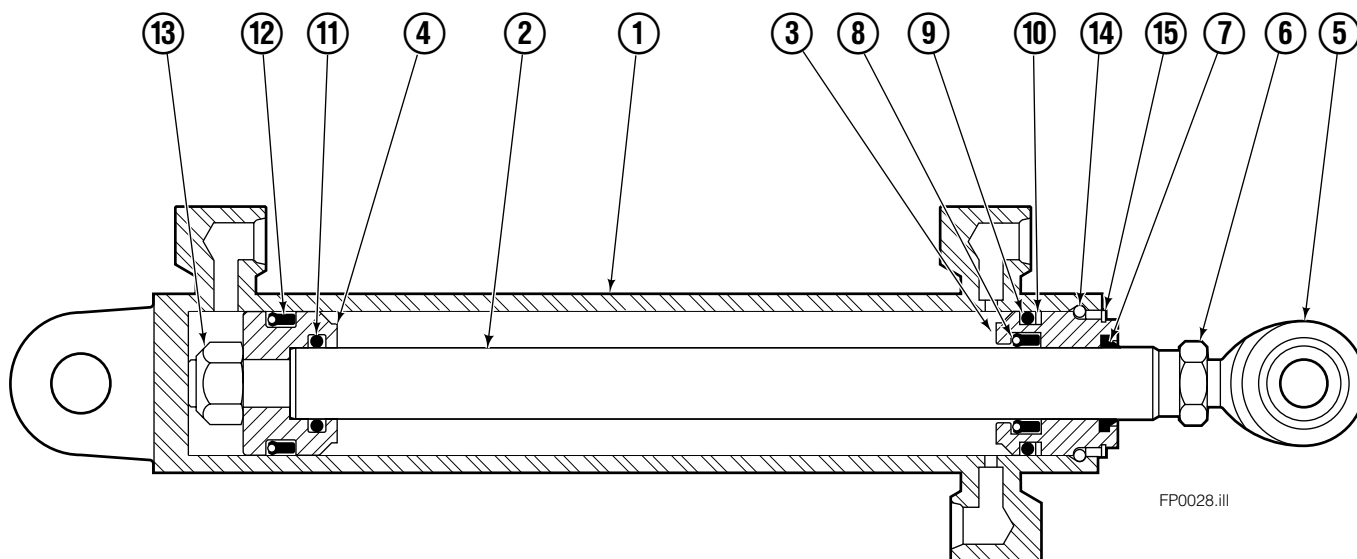
100F

| REF | QTY | PART NO. | DESCRIPTION |
|-----|-----|----------|------------------------------|
| | | 209486 | Cylinder Assembly – 41 in. ■ |
| 1 | 1 | 564486 | Shell – 41 in. ■ |
| 2 | 1 | 564493 | Rod – 41 in. ■ |
| 3 | 1 | 564451 | Retainer |
| 4 | 1 | 562056 | Piston |
| 5 | 1 | 564452 | Rod End |
| 6 | 1 | 5721 | Nut |
| 7 | 1 | 564408 | ● Rod Wiper |
| 8 | 1 | 564406 | ● Rod Seal |
| 9 | 1 | 562127 | ● O-Ring |
| 10 | 1 | 563388 | ● Back-up Ring |
| 11 | 1 | 563278 | ● O-Ring |
| 12 | 1 | 564141 | ● Piston Seal |
| 13 | 1 | 678019 | Piston Nut |
| 14 | 1 | 562942 | Retaining Ring |
| 15 | 1 | 562951 | Snap Ring |
| | | 564453 | Service Kit |

■ Carriage width.

● Included in Service Kit 564453.

Right Hand Cylinder



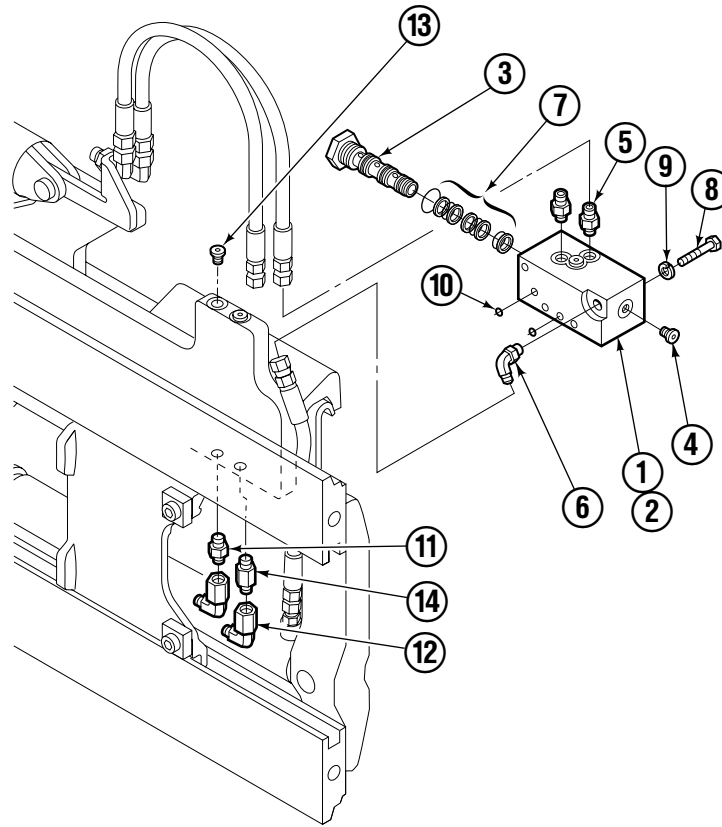
100F

| REF | QTY | PART NO. | DESCRIPTION |
|-----|-----|----------|------------------------------|
| | | 209493 | Cylinder Assembly – 41 in. ■ |
| 1 | 1 | 564500 | Shell – 41 in. ■ |
| 2 | 1 | 564493 | Rod – 41 in. ■ |
| 3 | 1 | 564451 | Retainer |
| 4 | 1 | 562056 | Piston |
| 5 | 1 | 564452 | Rod End |
| 6 | 1 | 5721 | Nut |
| 7 | 1 | 564408 | ● Rod Wiper |
| 8 | 1 | 564406 | ● Rod Seal |
| 9 | 1 | 562127 | ● O-Ring |
| 10 | 1 | 563388 | ● Back-up Ring |
| 11 | 1 | 563278 | ● O-Ring |
| 12 | 1 | 564141 | ● Piston Seal |
| 13 | 1 | 678019 | Piston Nut |
| 14 | 1 | 562942 | Retaining Ring |
| 15 | 1 | 562951 | Snap Ring |
| | | 564453 | Service Kit |

■ Carriage width.

● Included in Service Kit 564453.

Flow Divider Group

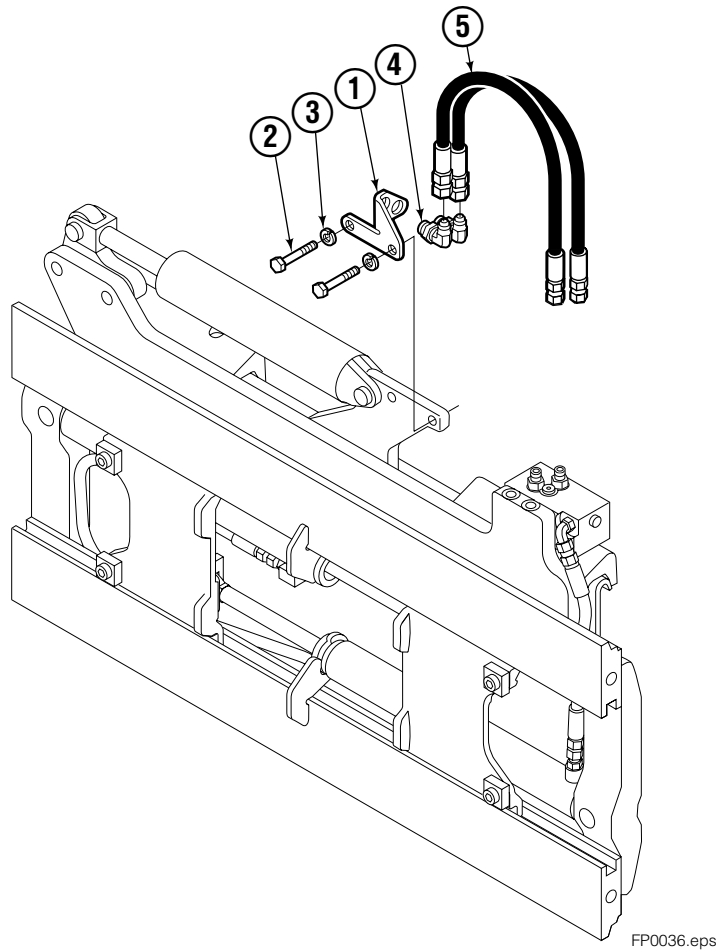


FP0035.iii

| 100F | | | |
|-------------|-----|----------|--------------------|
| REF | QTY | PART NO. | DESCRIPTION |
| | | 209504 | Flow Divider Group |
| 1 | 1 | 209310 | Valve ■ |
| 2 | 1 | 209311 | Valve Body |
| 3 | 1 | 201527 | Cartridge-Combiner |
| 4 | 2 | 663694 | Fitting, 3 |
| 5 | 2 | 604511 | Fitting, 6-6 |
| 6 | 1 | 601676 | Fitting, 6-6 |
| 7 | 1 | 679992 | Service Kit |
| 8 | 3 | 685105 | Capscrew |
| 9 | 3 | 678993 | Lockwasher |
| 10 | 2 | 207300 | O-Ring |
| 11 | 1 | 604511 | Fitting, 6-6 |
| 12 | 2 | 2680 | Fitting, 6-6 |
| 13 | 2 | 604510 | Fitting, 6 |
| 14 | 1 | 605743 | Fitting, 6-6 |

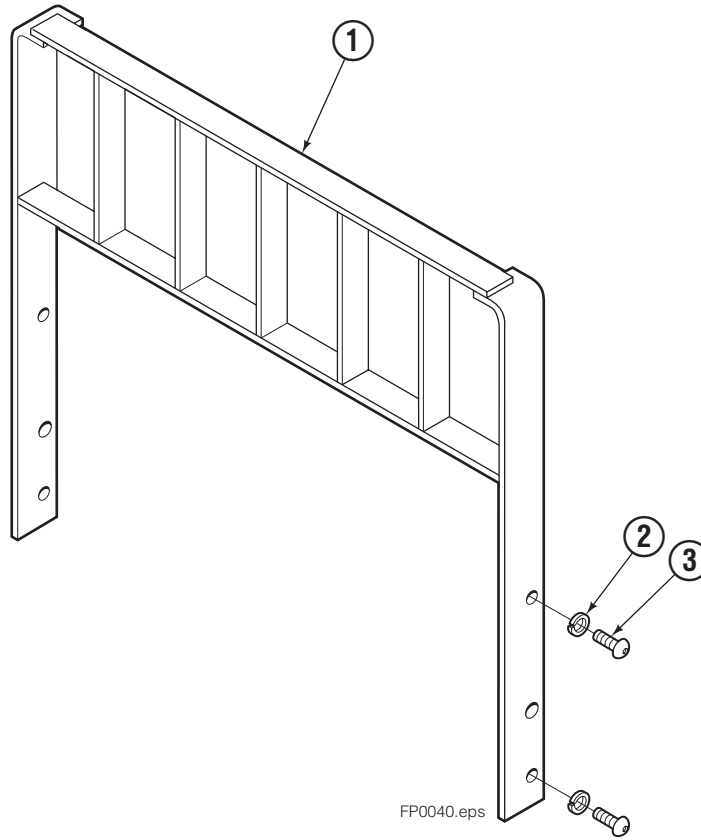
■ Includes items 1 through 7.

Standard Installation Group



| 100F | | | |
|-------------|-----|----------|-----------------------|
| REF | QTY | PART NO. | DESCRIPTION |
| | | 209506 | Installation Group |
| 1 | 1 | 207314 | Bracket |
| 2 | 2 | 762899 | Cap screw, M10X20-8.8 |
| 3 | 2 | 681238 | Lockwasher |
| 4 | 2 | 2453 | Fitting, 8-8 |
| 5 | 2 | 207425 | Hose |

Backrests



| 100F | | | |
|-------------|-----|---------------|--------------------------------------|
| REF | QTY | PART NO. | DESCRIPTION |
| 1 | 1 | 209471 | Backrest-41"x36" in. (1041x915 mm) ■ |
| 1 | 1 | 209472 | Backrest-41"x48" in. (1041x1219 mm)■ |
| 1 | 1 | 209473 | Backrest-41"x60" in. (1041x1524 mm)■ |
| 1 | 1 | 209474 | Backrest-49"x36" in. (1245x915 mm) ■ |
| 1 | 1 | 209475 | Backrest-49"x48" in. (1245x1219 mm)■ |
| 1 | 1 | 209476 | Backrest-49"x60" in. (1245x1524 mm)■ |
| 1 | 1 | 209477 | Backrest-61"x36" in. (1550x915 mm) ■ |
| 1 | 1 | 209478 | Backrest-61"x48" in. (1550x1219 mm)■ |
| 1 | 1 | 209479 | Backrest-61"x60" in. (1550x1524 mm)■ |
| 2 | 4 | 684586 | Lockwasher |
| 3 | 4 | 200173 | Capscrew |

■ Width by Height.

Do you have questions you need answered right now? Call your nearest Cascade Parts Department.

Cascade Corporation

2501 Sheridan Avenue
Springfield, OH 45505
Tel: 888-CASCADE (227-2233)
FAX: 888-329-0234
www.cascorp.com

Cascade Canada Inc.

5570 Timberlea Blvd.
Mississauga, Ontario
Canada L4W-4M6
Tel: 905-629-7777
FAX: 905-629-7785

Cascade GmbH

D-41199 Monchengladbach
Klosterhofweg 52
Germany
Tel: 49-216-668230
FAX: 49-216-6682323

Cascade Finland

Albert Petreliuksenkatu 3
01370 Vantaa
Finland
Tel: 358-9-836-1925
FAX: 358-9-836-1935

**Cascade N.V.
European Headquarters**

P.O. Box 3009
1300 El Almere
Damsluisweg 56
1332 ED Almere
The Netherlands
Tel: 31-36-5492911
FAX: 31-36-5492964

**Cascade N.V.
Benelux Sales and Service**

P.O. Box 3009
1300 El Almere
Damsluisweg 56
1332 ED Almere
The Netherlands
Tel: 31-36-5492950
FAX: 31-36-5492974

Cascade (UK) Ltd.

15, Orgreave Crescent
Dore House Industrial Estate
Handsworth
Sheffield S13 9NQ
England
Tel: 742-697524
FAX: 742-695121

Cascade Scandinavia AB

Box 124
Hammarvägen 10
567 23 Vaggeryd
Sweden
Tel: 42-0-393-36950
FAX: 46-0-393-36959

Cascade Norway

Østerliveien 37A
1153 Oslo
Norway
Tel: 47-22-743160
FAX: 47-22-743157

Cascade France S.A.R.L.

1D Rue De Charaintru
BP 18, 91360 Epinay-Sur-Orge
Morangis Cedex, France
Tel: 33-1- 64547500
FAX: 33-1-64547501

Cascade Hispania S.A.

Carrer 5 Sector C
Zona Franca Duanera
Poligono de la Zon Franca
08040 Barcelona, Spain
Office No. 256
Tel: 93-264-07-30
FAX: 93-264-07-31

Cascade Japan Ltd.

5-5-41,
Torikai Kami
Settsu, Osaka
Japan, 566
Tel: 81-726-53-3490
FAX: 81-726-53-3497

Cascade Korea

108B, Namdong Ind Complex
658-3 Gojan-Dong
Namdong-Gu
Inchon, 405-310 Korea
Tel: 82-32-821-2051
FAX: 82-32-821-2055

Cascade Australia

1445 Ipswich Road
Rocklea, QLD 4106
Australia
Tel: 1-800227-223
FAX: (07) 3373-7333

Cascade New Zealand

15 Ra Ora Drive
East Tamaki, Auckland
New Zealand
Tel: 9-273-9136
FAX: 9-273-9137

Cascade (Africa) Pty. Ltd.

P.O. Box 625, Isando 1600
60A Steel Road
Sparton, Kempton Park
South Africa
Tel: 27-11-975-9240
FAX: 27-11-394-1147

Cascade-Xiamen

No. 668 Yangguang Rd.
Xinyang Industrial Zone
Haicang, Xiamen City
Fujian Province
P.R. China 361026
Tel: 86-592-651-2500
FAX: 86-592-651-2571

**Cascade (Singapore)
Trading Co.**

Four Seasons Park
Autumn Block - Apt. 1802
12 Cuscaden Walk
Singapore
Tel: 65-834-1935
FAX: 65-834-1936

