



# Parts Manual

---

Model \_\_\_\_\_ Carton Clamp

Catalog Number \_\_\_\_\_ 15D-CCS-296

---

**cascade**®  
**corporation**

**For Technical Assistance call:** 800-227-2233, Fax: 888-329-8207

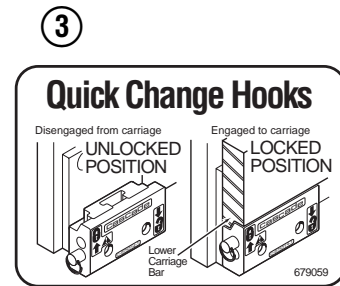
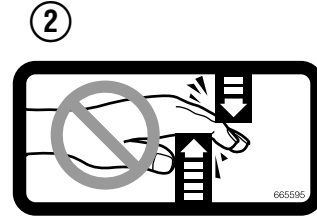
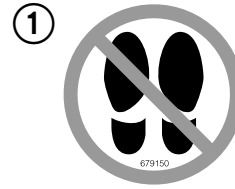
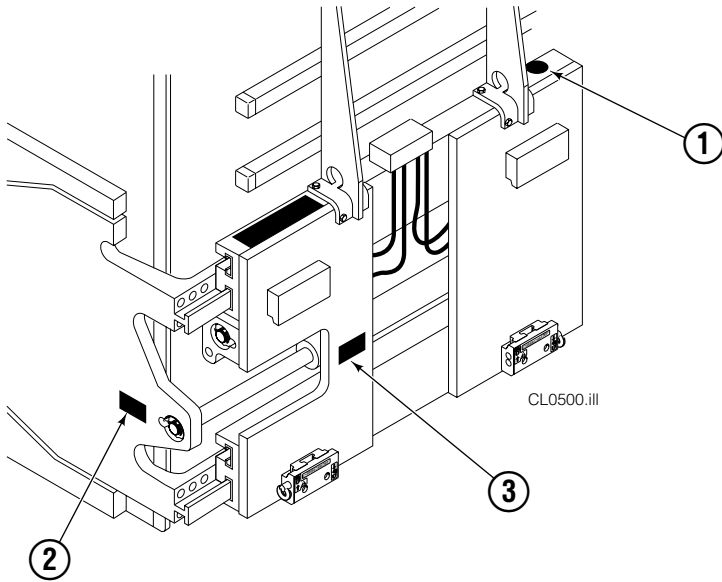
**To Order Parts call:** 888-227-2233, Fax: 888-329-0234

**OR**

**Write:** Cascade Corporation, P.O. Box 20187, Portland, OR 97220

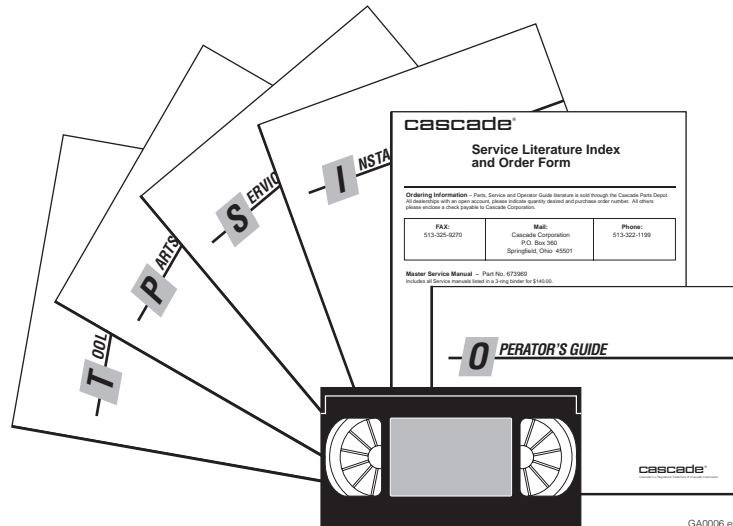
**Internet:** [www.cascorp.com](http://www.cascorp.com)

# Safety Decals



REF	QTY	PART NO.	DESCRIPTION
1	1	679150	No Step Decal
2	2	665595	No Hand Hold Decal
3	1	679059	Quick Change Hook Decal

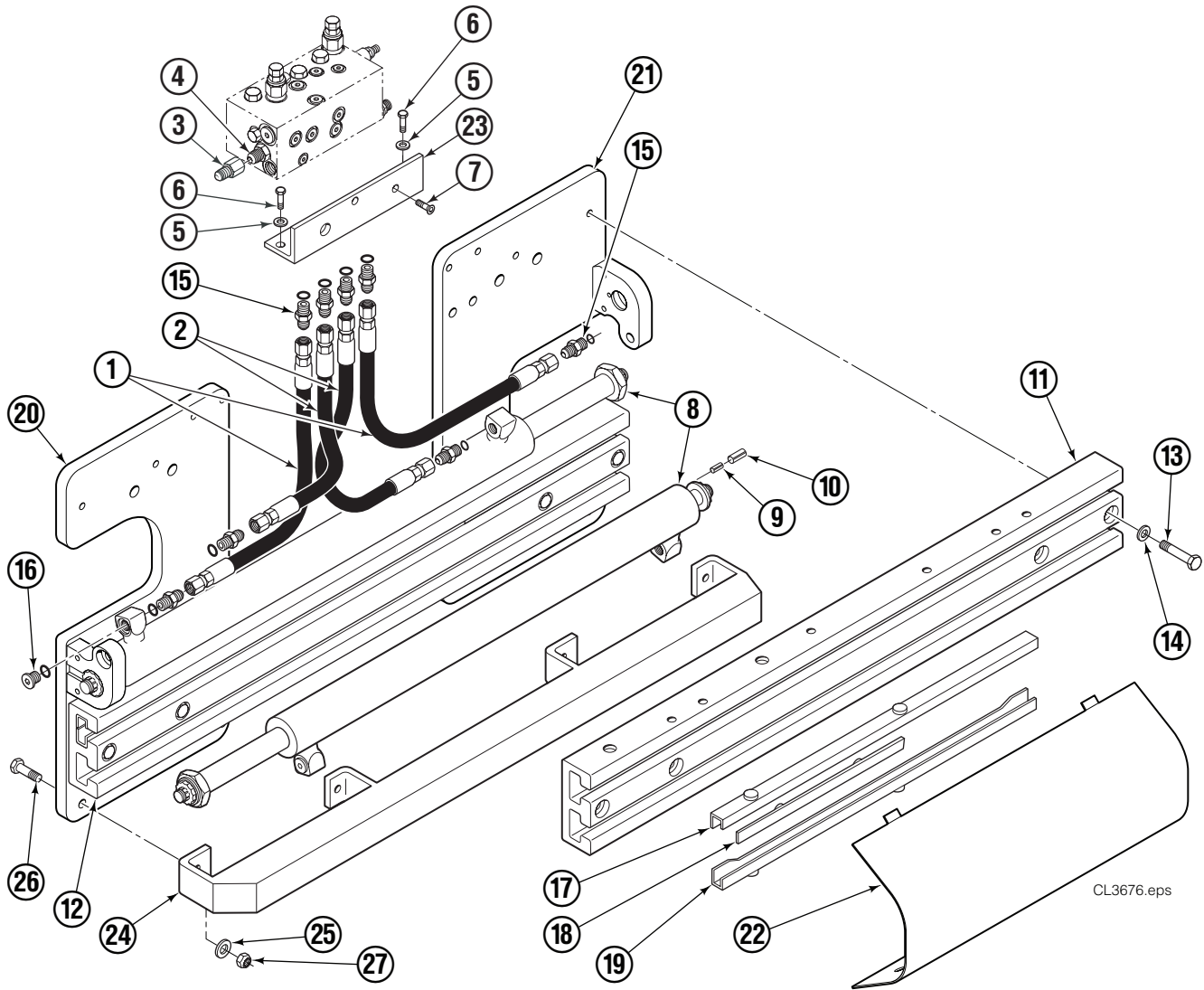
# Publications



GA0006.eps

PART NO.	DESCRIPTION
670487	Service Manual
670834	Operators Guide
670488	Installation Instructions
680664	Servicing Cascade Cylinders-VHS
679929	Tool Catalog
673964	Literature Index Order Form

# Base Unit Group



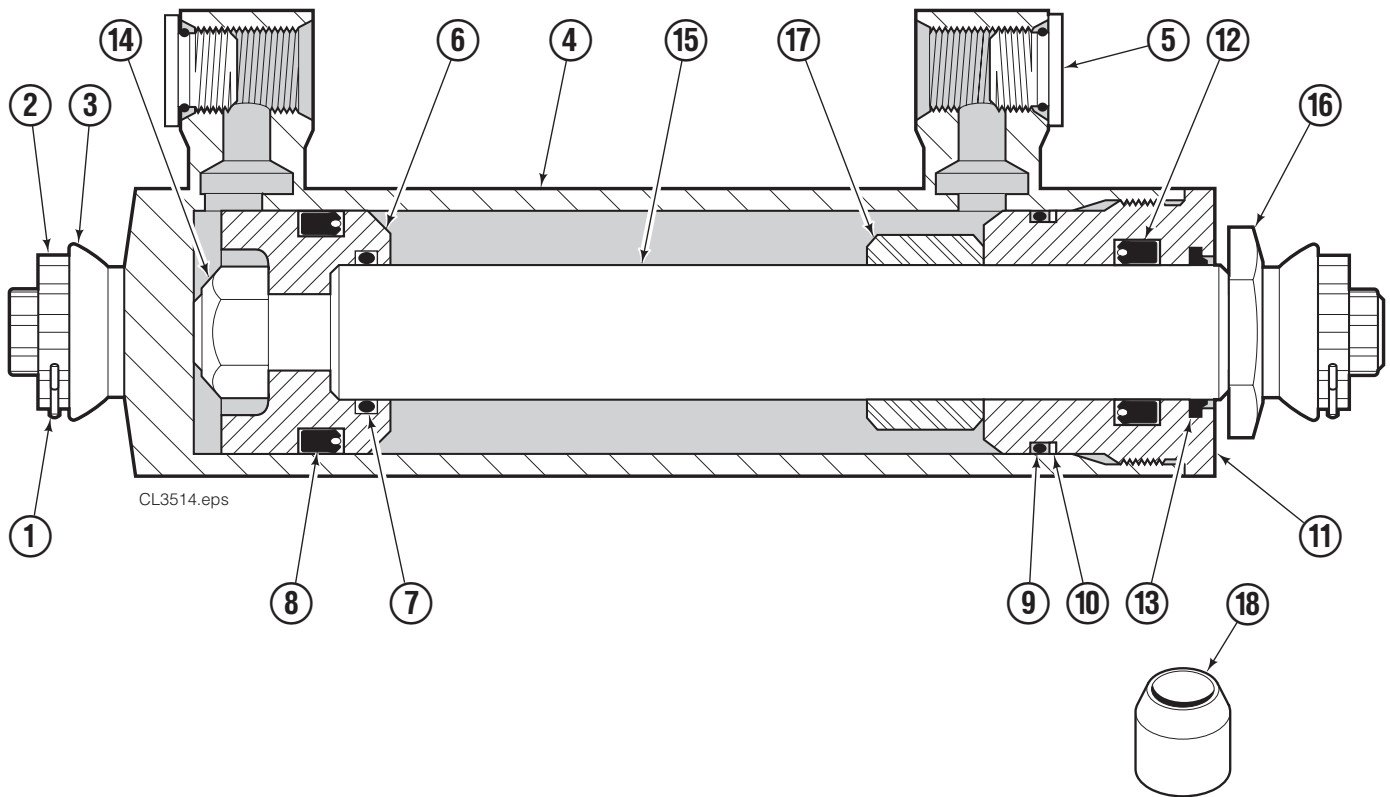
15D							
REF	QTY	PART NO.	DESCRIPTION	REF	QTY	PART NO.	DESCRIPTION
		6063929	Base Unit	15	10	611288	Fitting, 6-8
1	2	207425	Hose, 24.00 in.	16	2	602580	Fitting, 8
2	2	675055	Hose, 17.50 in.	17	4	208858	Bearing
3	2	6019053	Fitting, 8-6	18	4	667663	Bearing
4	1	601377	Fitting, 8-8	19	4	208857	Bearing
5	2	209021	Washer, M10	20	1	6056535	Mounting Plate – RH
6	2	684594	Capscrew, M10 x 20	21	1	6056533	Mounting Plate – LH
7	2	766646	Capscrew, M10 x 20	22	1	6055842	Bumper
8	2	204200	Cylinder ◆	23	1	669957	Adaptor Plate
9	2	768953	Roll Pin – Inner	24	1	671545	Bumper – Lower
10	2	769009	Roll Pin – Outer	25	4	6205	Washer
11	1	6056594	Frame – Upper	26	4	768556	Capscrew, M12 x 45
12	1	6056651	Frame – Lower	27	4	773842	Nut, M12
13	8	6405045	Capscrew, M12 x 70		1	6044017	Valve Assembly ●
14	8	667910	Washer				

◆ See Cylinder page for parts breakdown.

● See Valve Assembly page for parts breakdown.

Reference: SK-8753.

# Cylinder Assembly



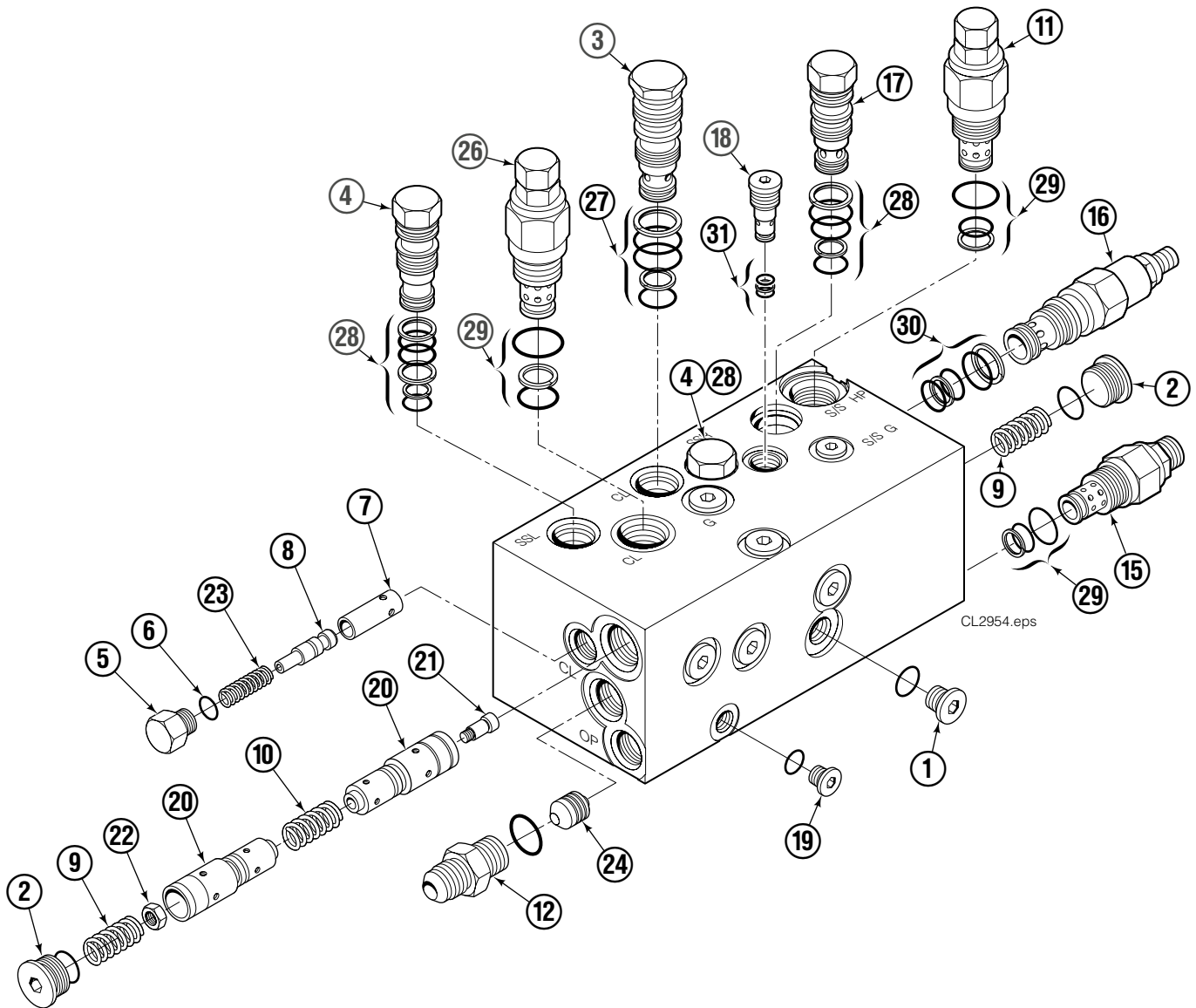
REF	QTY	PART NO.	DESCRIPTION
		204200	Cylinder Assembly
1	2	6510	■ Cotter Pin
2	2	667624	■ Nut Retainer
3	2	667625	■ Nut
4	1	559662	Shell
5	2	602580	Fitting
6	1	559702	Piston
7	1	2716	▲ O-Ring
8	1	662450	▲ Seal
9	1	2722	▲ O-Ring
10	1	615126	▲ Back-Up Ring
11	1	413799	Retainer
12	1	662448	▲ Seal
13	1	636853	▲ Wiper
14	1	667623	Nut
15	1	416991	Rod
16	1	667626	Washer
17	1	-	Spacer
18	1	671051	▲ Seal Loader, Retainer
		560729	Service Kit

■ Included in Nut Service Kit 668926.

▲ Included in Service Kit 560729.

Reference: ST-0283, ST-0284.

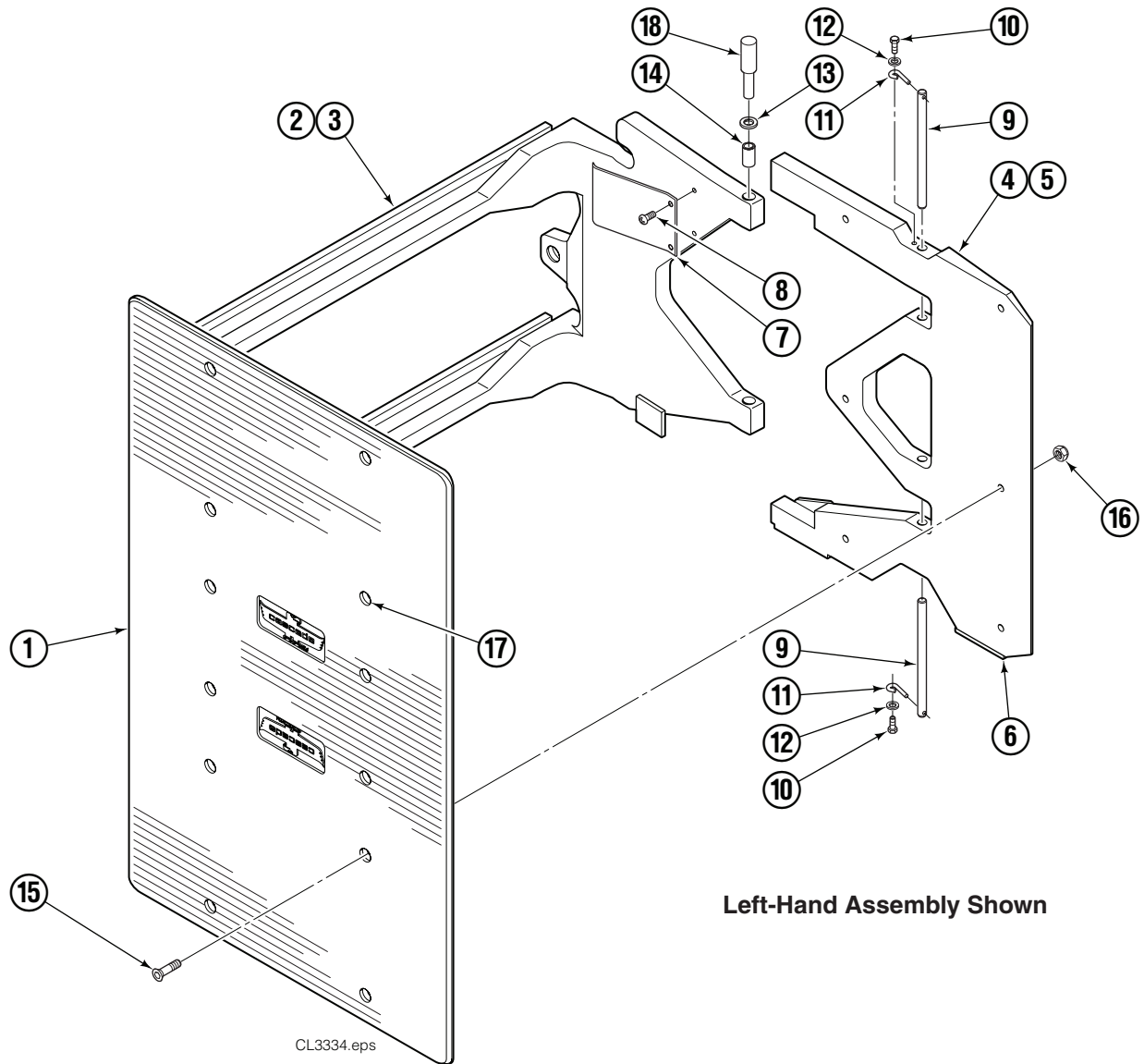
# Valve Assembly



REF	QTY	PART NO.	DESCRIPTION	REF	QTY	PART NO.	DESCRIPTION
		6044017	Valve Assembly	17	1	6002071	Check Valve
1	6	604510	Plug	18	1	220869	Check Valve
2	2	609453	Plug	19	1	663694	Plug, 3
3	1	678270	Check Valve	20	2	673064	Spool
4	2	6038929	Check Valve - PO	21	1	673063	Shoulder Screw
5	2	667494	Fitting	22	1	6095	Nut
6	2	2840	O-Ring ●	23	2	673098	Spring
7	2	667491	Sleeve	24	1	667471	Spool
8	2	667492	Poppet	25	1	609234	Plug
9	2	667487	Spring	26	1	214405	Crossover Relief Valve
10	1	667488	Spring	27	1	661347	Service Kit ●
11	1	215876	Crossover Relief Valve	28	2	667516	Service Kit
12	1	601377	Fitting, 8	29	3	682170	Service Kit
13	1	673271	Plug	30	1	667510	Service Kit
14	1	6043943	Valve Body	31	1	6025595	Service Kit
15	1	6018082	Relief Valve			667513	Service Kit
16	1	6035551	Relief Valve				

● Included in Service Kit 667513.

# Arms and Pads



Left-Hand Assembly Shown

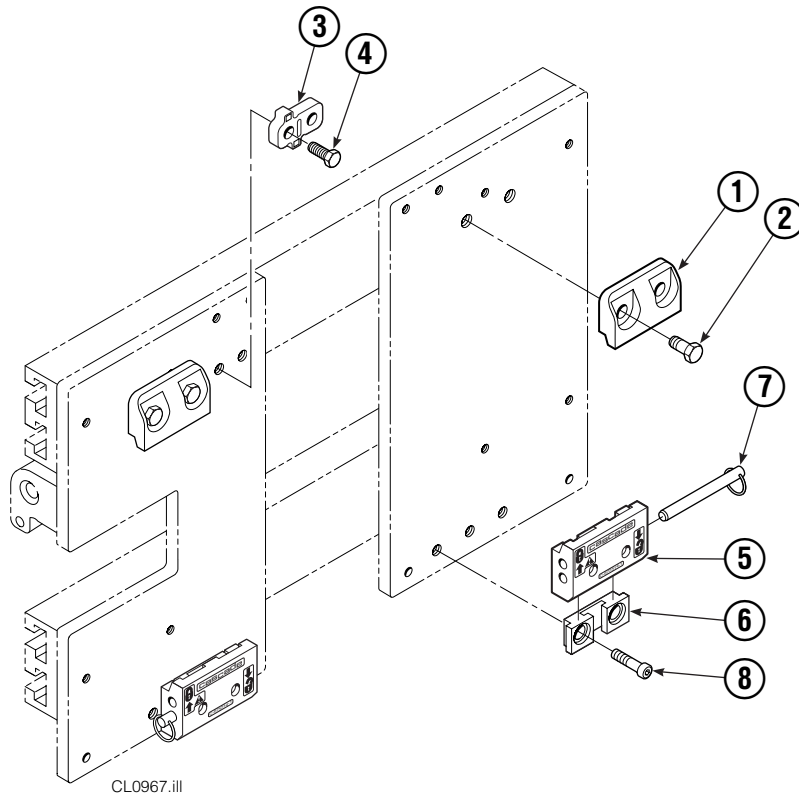
CL3334.eps

15D/25D							
REF	QTY	PART NO.	DESCRIPTION	REF	QTY	PART NO.	DESCRIPTION
		6057610	Stabilizer Group ♦	9	4	6057546	Pin
		6057713	Common Parts ●	10	4	787372	Capscrew, M8 x 20
1	2	6057565	Contact Pad	11	4	6020429	Eye Pin
2	1	6057582	Arm – LH	12	4	787398	Washer, M8
3	1	6057581	Arm – RH	13	10	675620	Washer, M10
4	1	6057418	Stabilizer – LH	14	8	200590	Bushing
5	1	6057417	Stabilizer – RH	15	12	768706	Capscrew, M12 x 35
6	2	208860	Stabilizer Wear Tile	16	12	773842	Nut, M12
7	2	210154	Spring	17	■	676841	Contact Pad Repair Kit
8	4	203405	Capscrew, M10 x 16	18	1	675626	Tool – Bushing Driver

- ♦ Includes items 4-6.
- Includes items 7-16.

- Repairs one hole.
- Reference: SK-8753.

# Quick-Change Mounting Group



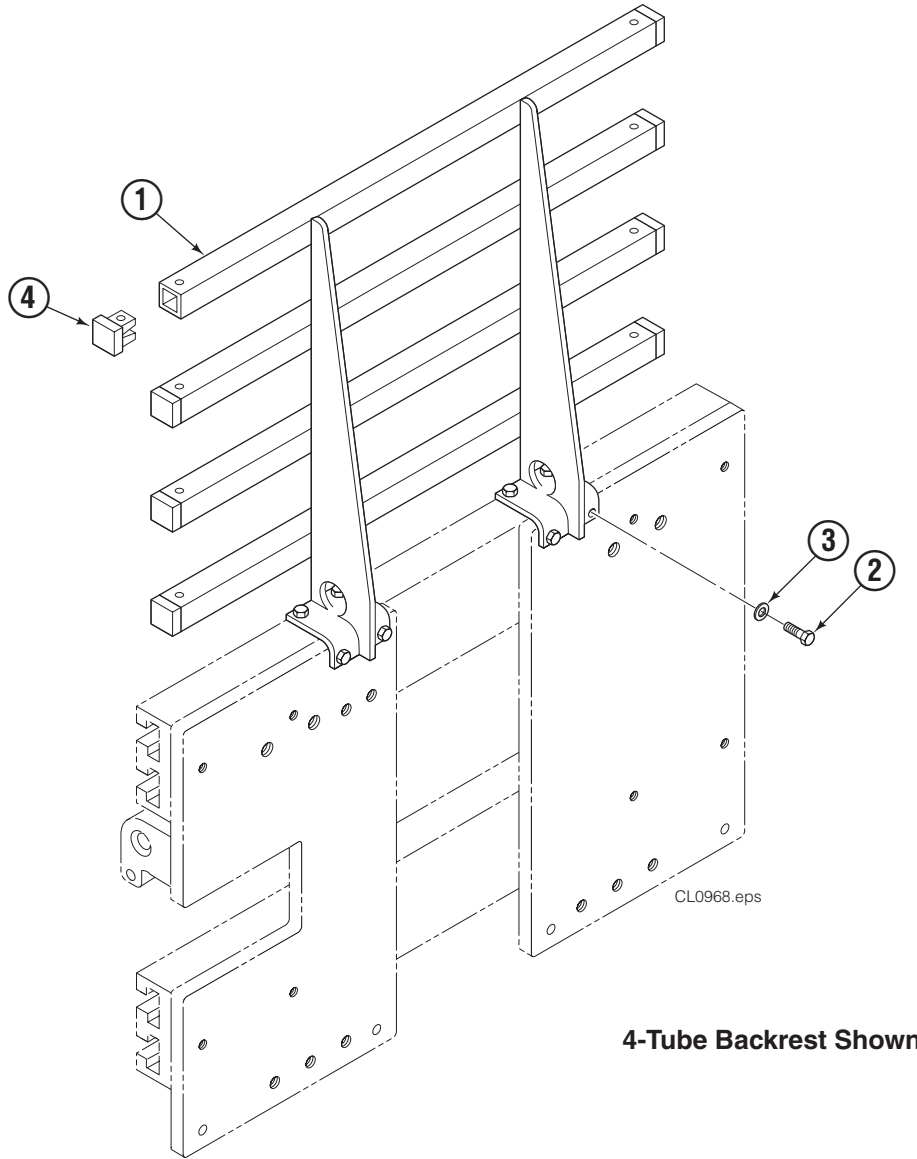
REF	QTY	ITA II	DESCRIPTION
		PART NO.	
		211162	Upper Mounting Group ▲
		211174	Lower Mounting Group ●
1	2	210491	Upper Hook
2	4	768577	Capscrew, M20 x 35
3	1	212999	Center Key
4	2	211129	Capscrew, M16 x 35
5	2	675514	Lower Hook
6	2	675515	Guide
7	2	678832	Pin
8	4	211180	Capscrew, M16 x 30

▲ Includes items 1–4.

● Includes items 5–8.

Reference: SK-6390.

# Backrest Group



15D			
REF	QTY	PART NO.	DESCRIPTION
		6056676	Backrest Group
1	1	6056588	Backrest
2	8	767810	Capscrew, M12 x 25
3	8	667910	Washer
4	8	674356	Tube End



**Do you have questions you need answered right now?** Call your nearest Cascade Parts Department. Visit us online at [www.cascorp.com](http://www.cascorp.com)

**Cascade Corporation  
U.S. Headquarters**  
2201 NE 201st  
Fairview, OR 97024-9718  
Tel: 800-CASCADE (227-2233)  
FAX: 888-329-8207

**Cascade Canada Inc.**  
5570 Timberlea Blvd.  
Mississauga, Ontario  
Canada L4W-4M6  
Tel: 905-629-7777  
FAX: 905-629-7785

**Cascade GmbH**  
Niederwippekühl 1  
58579 Schalksmühle  
Germany  
Tel: 02355-50900  
FAX: 02355-509020

**Cascade Finland**  
A. Petreliuksenkatu 3  
01370 Vantaa  
Finland  
Tel: 09-8361925  
FAX: 09-8361935

**Cascade N.V.  
Benelux Sales and Service**  
Damsluisweg 56  
PO Box 3009  
1300 El Almere  
The Netherlands  
Tel: 036-5492950  
FAX: 036-5492974

**Cascade Kenhar Ltd.**  
3 Kelbrook Road  
Parkhouse Ind. Estate  
Openshaw,  
Manchester M11 2DD  
England  
Tel: 0800-243015  
FAX: 0161-4384055

**Sales Scotland  
Macade Systems Ltd.**  
18 Melford Road  
Righead Ind. Estate  
Bellshill ML4 3LR  
Scotland  
Tel: 01698-845777  
FAX: 01698-845888

**Cascade (Africa) Pty. Ltd.**  
PO Box 625, Isando 1600  
60A Steel Road  
Sparton, Kempton Park  
South Africa  
Tel: 27-11-975-9240  
FAX: 27-11-394-1147

**Cascade Scandinavia AB**  
Hammarvägen 10  
PO Box 124  
S-56723 Vaggeryd  
Sweden  
Tel: 039-336950  
FAX: 039-336959

**Cascade France  
S.A.R.L. MHP**  
1D Rue De Charaintru BP 18,  
91360 Epinay-Sur-Orge  
France  
Tel: 01-6454-7500  
FAX: 01-6454-7501

**Cascade Hispania S.A.**  
Carrer 5, Sector C  
Zona Franca Duanera  
Poligono de la Zona Franca  
08040 Barcelona, Spain  
Tel: 93-264-07-30  
FAX: 93-264-07-31

**Cascade Italia S.R.L.**  
Via Dell'Artigianato 1  
37050 Vago di Lavagno (VR)  
Italy  
Tel: 39-045-8989111  
FAX: 39-045-8989160

**Movimenta Lda.**  
Parque Industrial  
Vale do Alecrim, Lote 108  
2950-403 Palmela  
Portugal  
Tel: 351-212387340  
FAX: 351-212387349

**Sales Switzerland  
Fahrzeugbedarf**  
8810, Horgen  
Switzerland  
Tel: 01-7279797  
FAX: 01-7279798

**Sales Poland**  
Targowa 35/61  
03-728 Warszawa  
Tel: 022-619 00 49  
FAX: 022-619 00 49  
Mobile Tel: 0501-27 29 55

**Sales Russia**  
EMCG Material Handling  
Equipment  
Moscow  
Tel: 095-795-2400  
FAX: 095-795-2475  
Email: [emcg@emcg.ru](mailto:emcg@emcg.ru)

**Cascade Japan Ltd.**  
5-5-41,  
Torikai Kami  
Settsu, Osaka  
Japan, 566  
Tel: 81-726-53-3490  
FAX: 81-726-53-3497

**Cascade Korea**  
121B 9L Namdong Ind.  
Complex, 691-8 Gojan-Dong  
Namdong-Ku  
Inchon, 405-310 Korea  
Tel: 82-32-821-2051  
FAX: 82-32-821-2055

**Cascade Australia**  
1445 Ipswich Road  
Rocklea, QLD 4107  
Australia  
Tel: 1-800-227-223  
FAX: 617-3373-7333

**Cascade New Zealand**  
15 Ra Ora Drive  
East Tamaki, Auckland  
New Zealand  
Tel: 64-9-273-9136  
FAX: 64-9-273-9137

**Cascade-Xiamen**  
No. 668 Yangguang Rd.  
Xinyang Industrial Zone  
Haicang, Xiamen City  
Fujian Province  
P.R. China 361026  
Tel: 86-592-651-2500  
FAX: 86-592-651-2571

**Sunstream Industries  
Pte Ltd.**  
No. 3 Tuas Link 1  
2263  
Singapore  
Tel: 65-6863-3488  
FAX: 65-6863-1368

**Cascade do Brasil  
Distribuidora de Garras  
e Garfos LTDA**  
Rua João Guerra, 134  
Macuco, Santos - SP  
Brasil 11015-130  
Tel: 55-13-2105-8800  
Fax: 55-13-2105-8899

