

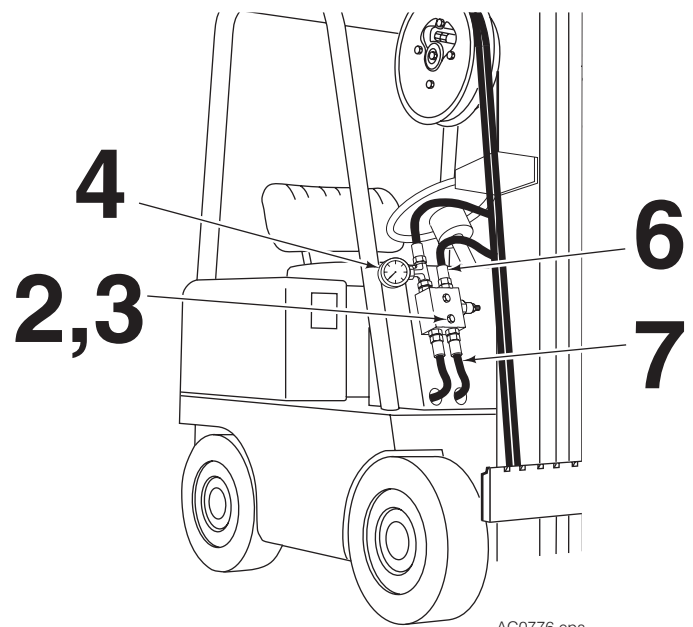
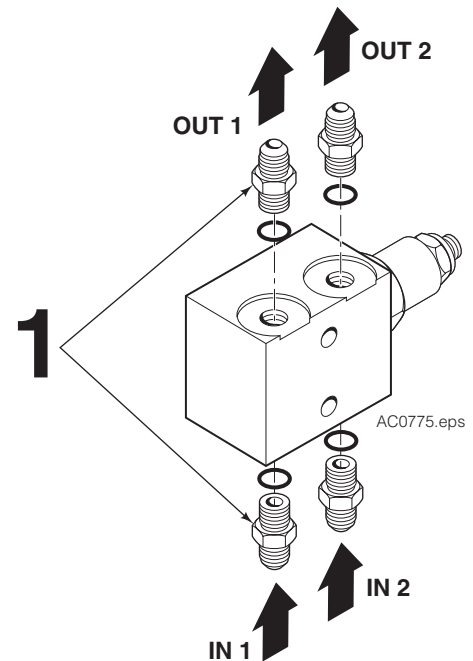


Installation Instruction

Relief Valve Assembly 677379

This sheet provides installation instructions and replacement parts list for Cascade Relief Valve Assembly 677379. The valve relieves supply pressure to the attachment in both directions of flow. The valve must be adjusted once installed for your specific flow and pressure requirements.

- 1 Install four 37° JIC/O-ring fittings in the relief valve body ports. The fittings used will be determined by the size of the truck supply hoses. The relief valve body has No. 8 O-rings ports.
 - 2 Determine a valve body mounting location on the truck cowl. Valve must clear the mast when fully tilted back. Use the shortest hose route possible from the relief valve fittings to the truck valve fittings.
 - 3 Mount the relief valve on the cowl using 3/8 in. capscrews (user supplied).
 - 4 Install a pressure gauge and tee fitting to one of the valve top ports.
 - 5 Make two hose assemblies (size determined by truck supply hoses) to run from the relief valve bottom fittings to the truck valve fittings. Install the hoses.
 - 6 Connect the supply group hoses to the relief valve top output fitting and tee fitting.
 - 7 Start the truck and actuate the truck control to determine the current pressure relief setting of the valve. Adjust the relief pressure to the required setting using a 5 mm hex allen wrench and 18 mm open end wrench. Tighten the locking nut in place.
- NOTE:** The pressure gauge can remain installed or be removed after adjustment.
- 8 Before returning the truck/attachment to service operation, test all functions to assure they perform correctly.



Part No. 677574 R-2

cascade®
corporation

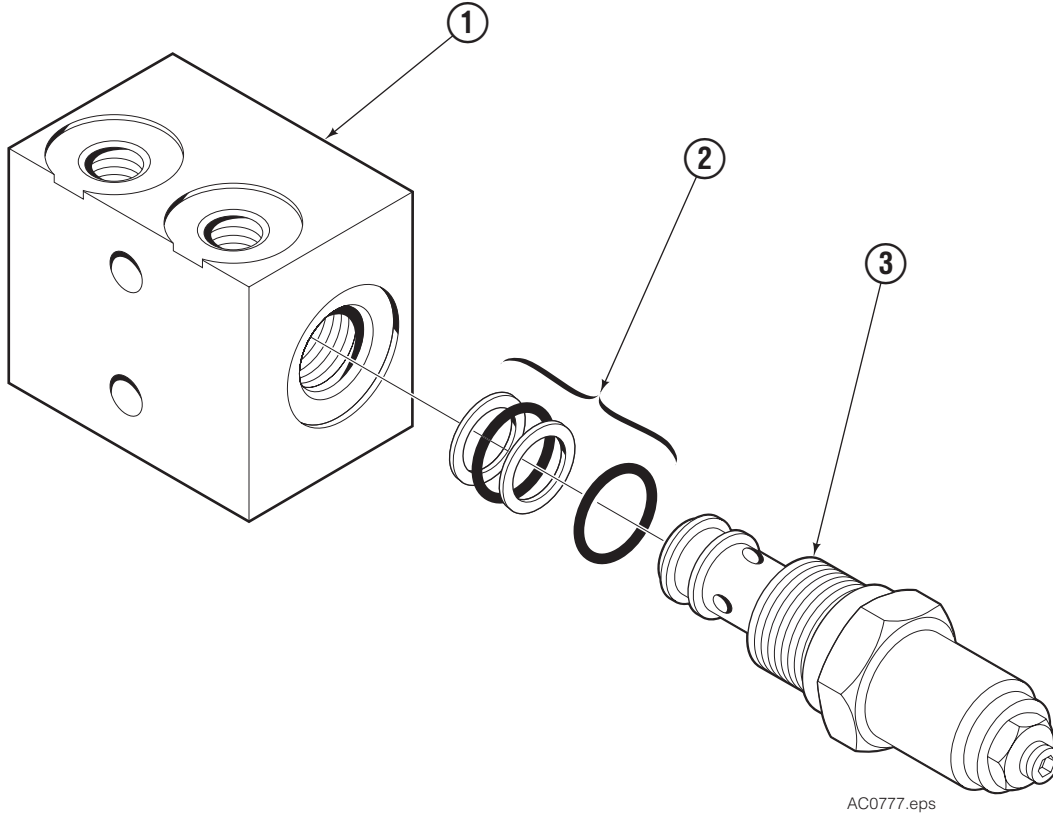
For Technical Support . . .

Call: 1-800-227-2233 Fax: 1-888-329-8207
Internet: www.cascorp.com
Write: Cascade Corporation, PO Box 20187, Portland, OR 97294

To Order Parts . . .

Call: 1-888-227-2233 Fax: 1-888-329-0234
Internet: www.cascorp.com
Write: Cascade Corporation, 2501 Sheridan Ave., Springfield, OH 45505

Parts List



REF	QTY	PART NO.	DESCRIPTION
		677379	Relief Valve Assembly
1	1	677378	Valve Body
2	1	684625	Service Kit
3	1	677400	Relief Cartridge