



Parts Manual

Model Fork Positioner

Serial Number 150H-FPS-115

cascade[®]
corporation

For Technical Assistance call: 800-227-2233, Fax: 888-329-8207

To Order Parts call: 888-227-2233, Fax: 888-329-0234

OR

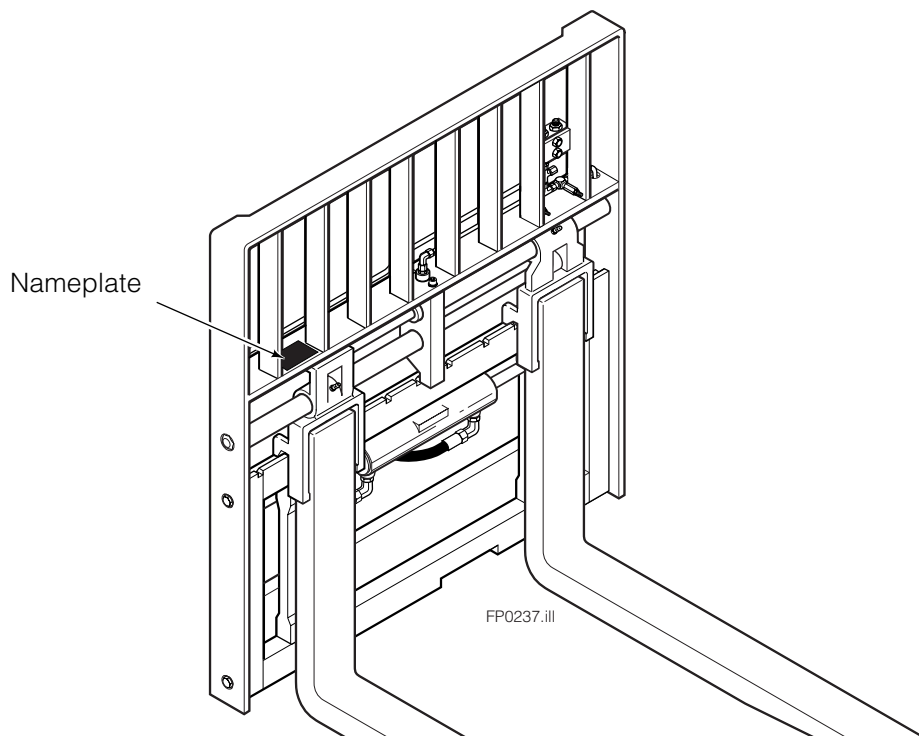
Write: Cascade Corporation, P.O. Box 20187, Portland, OR 97220

Internet: www.cascorp.com

About This Manual

Introduction

This Manual shows the parts breakdown for the 150H Fork Positioner. Locate the nameplate on the left side of the backrest. If the nameplate is missing all necessary information is stamped into the backrest at the same location. The serial number must be supplied when ordering replacement parts for this product.



Ordering Parts

Customers – Cascade parts and service literature is available through authorized lift truck dealers. To place an order, contact the lift truck dealer of your choice.

Lift Truck Dealers – To order parts and service literature contact:

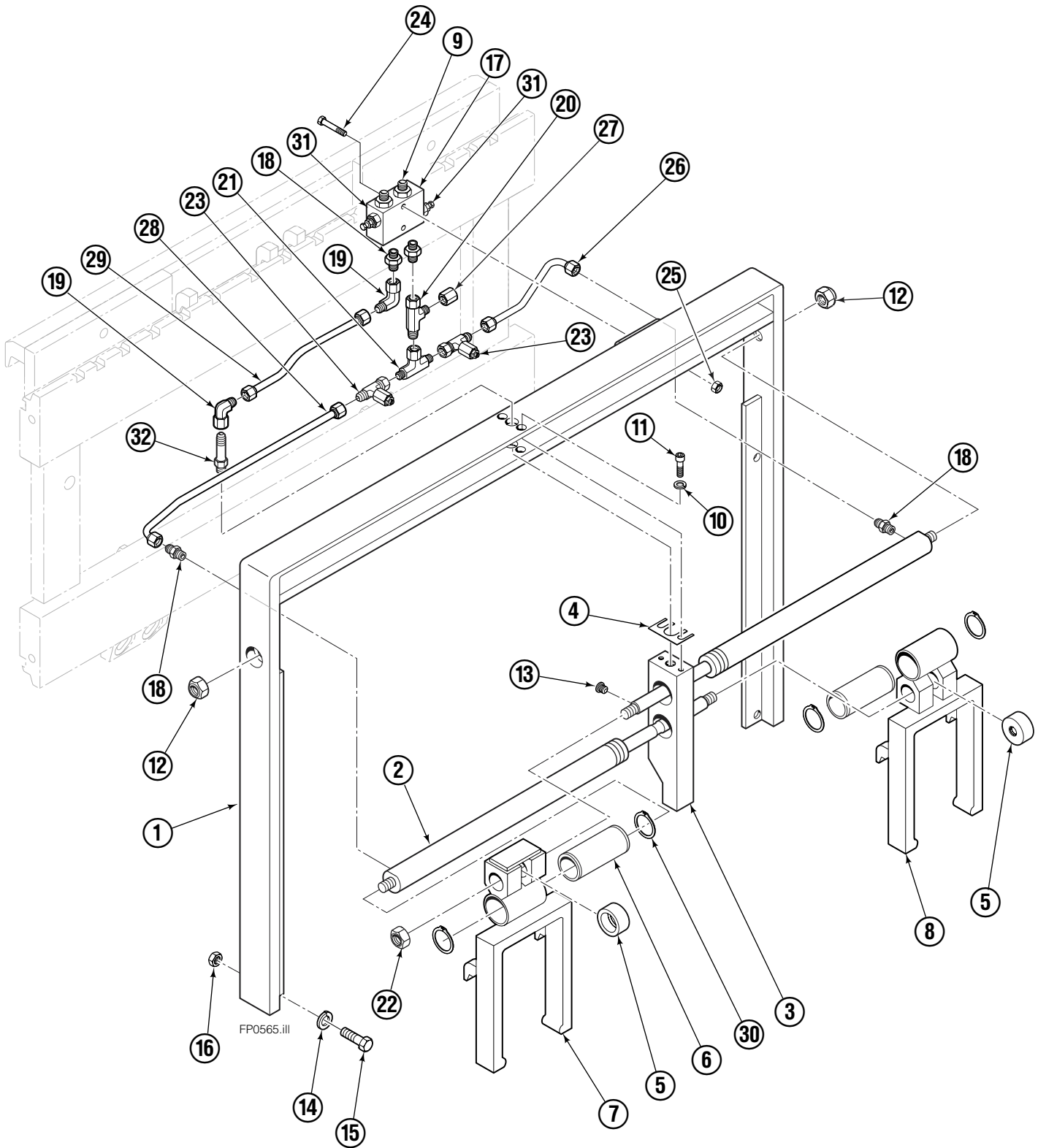
Cascade Parts Sales

2501 Sheridan Avenue
Springfield, OH 45505
Tel: 888-CAS-CADE (227-2233)
FAX: 888-329-0234



WARNING: For the safety of yourself and others, DO NOT install the parts shown in this Manual unless you have thoroughly reviewed the appropriate Service Manual.

Fork Positioner Assembly



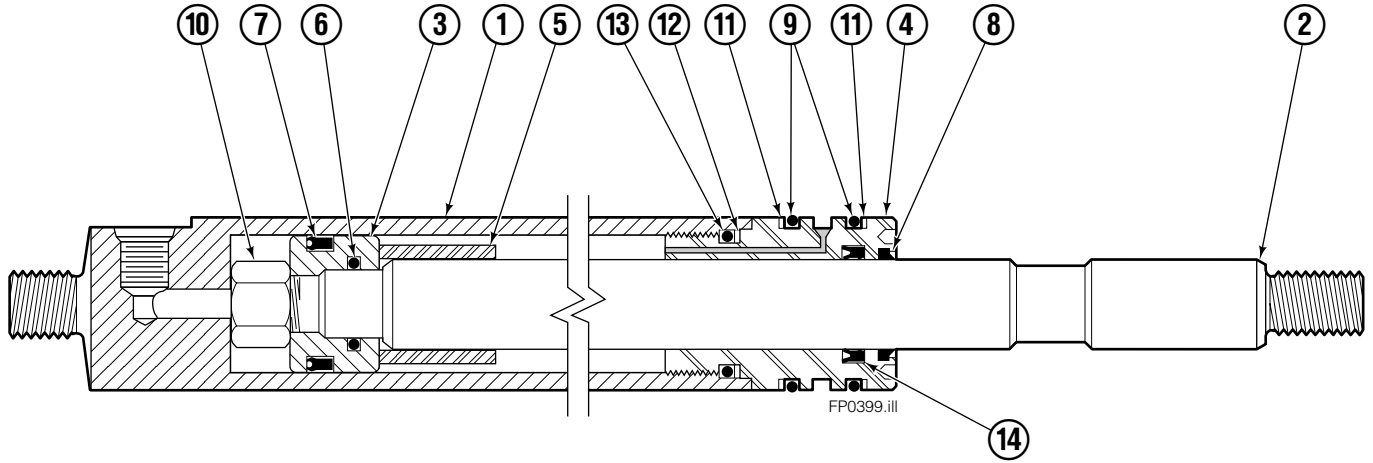
Fork Positioner Assembly

| 150H | | | |
|------|-----|----------|--------------------------|
| REF | QTY | PART NO. | DESCRIPTION |
| | | 6101712 | Fork Positioner Assembly |
| 1 | 1 | 6101717 | Frame |
| 2 | 2 | 6007221 | Cylinder ♦ |
| 3 | 1 | 6101808 | Center Plate |
| 4 | 1 | 6007060 | Shim |
| 5 | 2 | 6006682 | Lug |
| 6 | 2 | 6006759 | Bushing |
| 7 | 1 | 6006894 | Fork Carrier – RH |
| 8 | 1 | 6006879 | Fork Carrier – LH |
| 9 | 3 | 604511 | Fitting, 6-6 |
| 10 | 2 | 680030 | Lockwasher, M10 |
| 11 | 2 | 217933 | Capscrew, M10 x 45 |
| 12 | 2 | 200244 | Nut |
| 13 | 1 | 2659 | Plug, 6 |
| 14 | 4 | 683822 | Lockwasher, M12 |
| 15 | 4 | 202407 | Capscrew, M12 x 60 |
| 16 | 4 | 763025 | Nut, M12 |
| 17 | 1 | 215919 | Valve Body |
| 18 | 4 | 611288 | Fitting, 6-8 |
| 19 | 2 | 2680 | Fitting, 6-6 |
| 20 | 1 | 6009381 | Fitting, 6-6 |
| 21 | 1 | 610892 | Fitting, 6-6 |
| 22 | 2 | 200006 | Nut |
| 23 | 2 | 6009677 | Restrictor Fitting |
| 24 | 2 | 768528 | Capscrew, M8 x 55 |
| 25 | 2 | 786881 | Nut, M8 |
| 26 | 1 | 6101833 | Tube, 6 |
| 27 | 1 | 2645 | Nut, 6 |
| 28 | 1 | 6101823 | Tube |
| 29 | 1 | 6101826 | Tube |
| 30 | 4 | 3154 | Snap Ring |
| 31 | 2 | 211223 | Sun Valve |
| 32 | 1 | 2453 | Fitting, 8-8 |

♦ See Cylinder page for parts breakdown.

Reference: S-21104, S-21106, S-21127, S-21129.

Cylinder

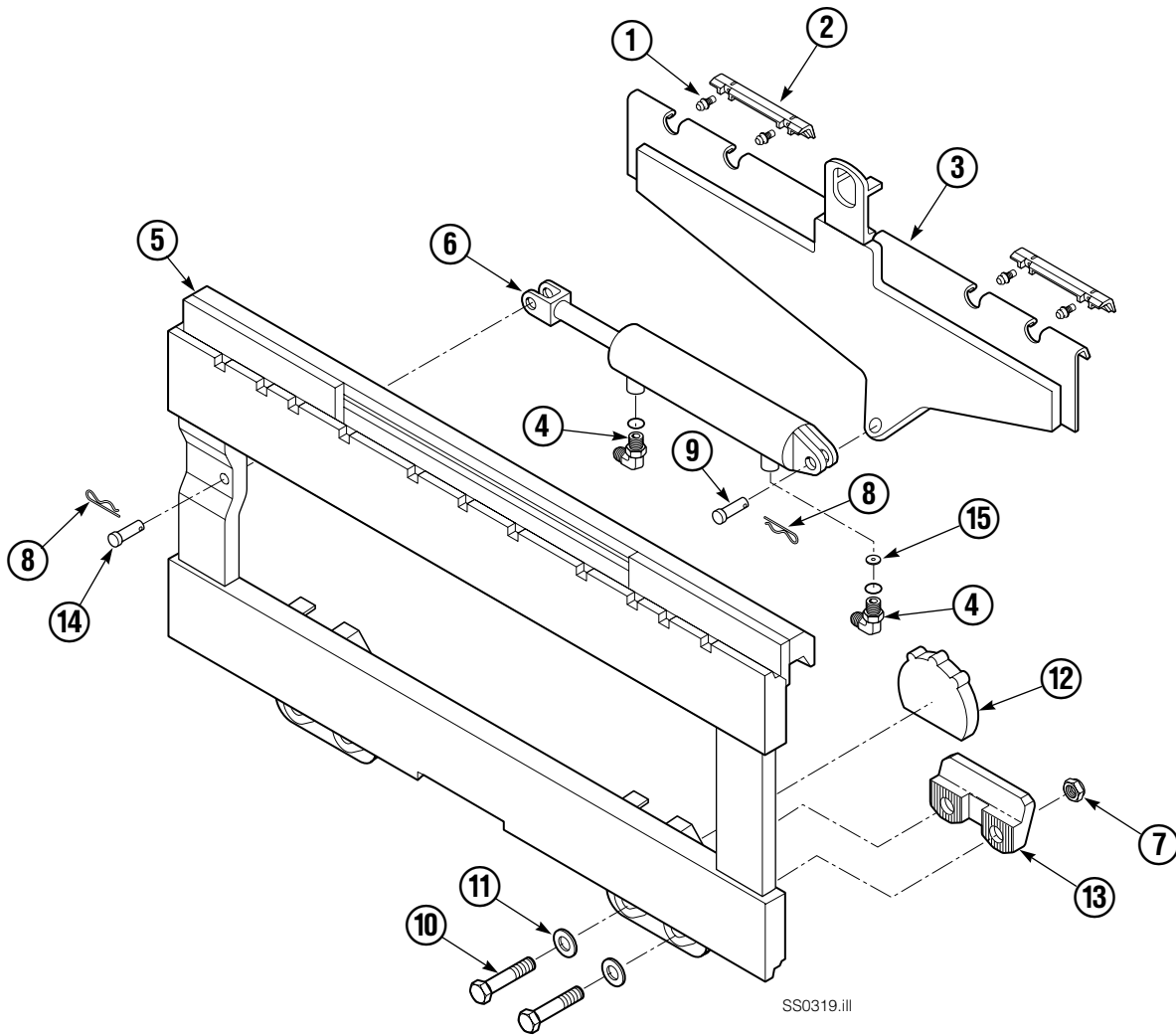


| 150H | | | |
|-------------|-----|----------|-------------------|
| REF | QTY | PART NO. | DESCRIPTION |
| | | 6007221 | Cylinder Assembly |
| 1 | 1 | 6007219 | Shell |
| 2 | 1 | 6007022 | Rod |
| 3 | 1 | 6006925 | Piston |
| 4 | 1 | 6006966 | Retainer |
| 5 | 1 | 6006924 | Spacer |
| 6 | 1 | 2708 | O-Ring ● |
| 7 | 1 | 663728 | Piston Seal ● |
| 8 | 1 | 636851 | Wiper ● |
| 9 | 2 | 2784 | O-Ring ● |
| 10 | 1 | 667623 | Nut, .625 |
| 11 | 2 | 615127 | Back Up Ring ● |
| 12 | 1 | 615125 | Back Up Ring ● |
| 13 | 1 | 2721 | O-Ring ● |
| 14 | 1 | 6010310 | Rod Seal ● |
| | | 6100214 | Service Kit |

● Included in Service Kit 6100214.

Reference: S-21126, S-21132.

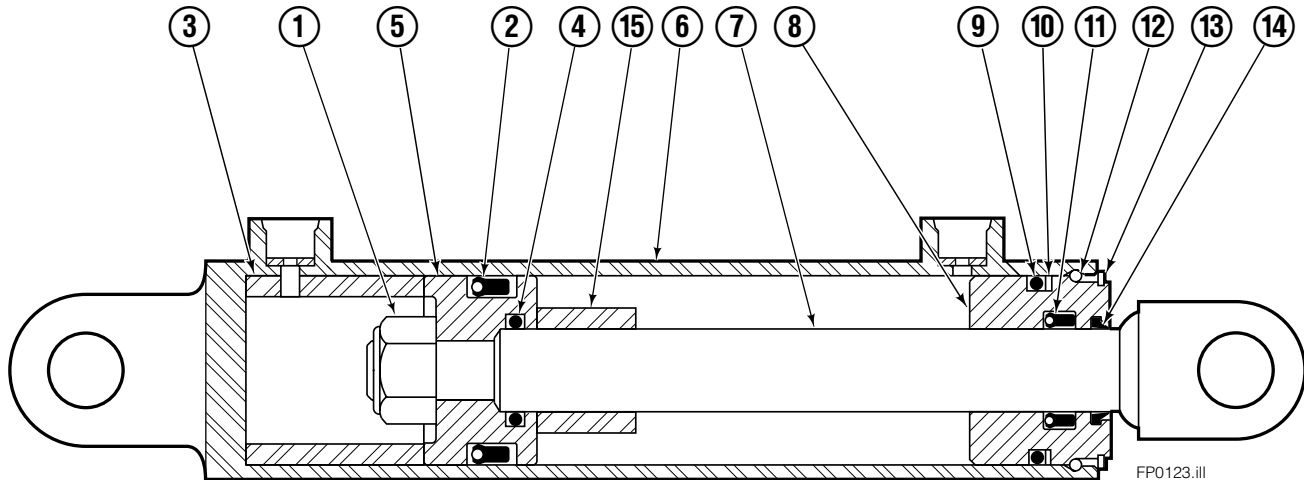
Sideshifter Group



| 150H | | | |
|------|-----|----------|-----------------------------|
| REF | QTY | PART NO. | DESCRIPTION |
| 1 | 4 | 7403 | Grease Fitting |
| 2 | 2 | 672018 | Bearing Segment |
| 3 | 1 | 686238 | Anchor Bracket |
| 4 | 2 | 601676 | Fitting, 6-6 |
| 5 | 1 | 686258 | Faceplate ■ |
| 6 | 1 | 686243 | Cylinder Assembly ▲ |
| 7 | 4 | 553857 | Nut |
| 8 | 2 | 686217 | Cotter Pin |
| 9 | 1 | 686215 | Clevis Pin |
| 10 | 4 | 638601 | Capscrew, 5/8 NC x 2.00 GR5 |
| 11 | 4 | 667225 | Washer |
| 12 | 2 | 676650 | Lower Bearing |
| 13 | 2 | 678034 | Lower Hook |
| 14 | 1 | 686214 | Clevis Pin |
| 15 | 1 | 675550 | Washer |
| | | 672022 | Service Kit – Items 1&2 |
| | | 675856 | Service Kit – Item 12 |

■ If the Faceplate needs replacing, your best value is to order the complete Sideshifter Assembly.
 ▲ See Cylinder page for parts breakdown.
 Reference: S-3420, S/S Assembly 686257.

Sideshift Cylinder

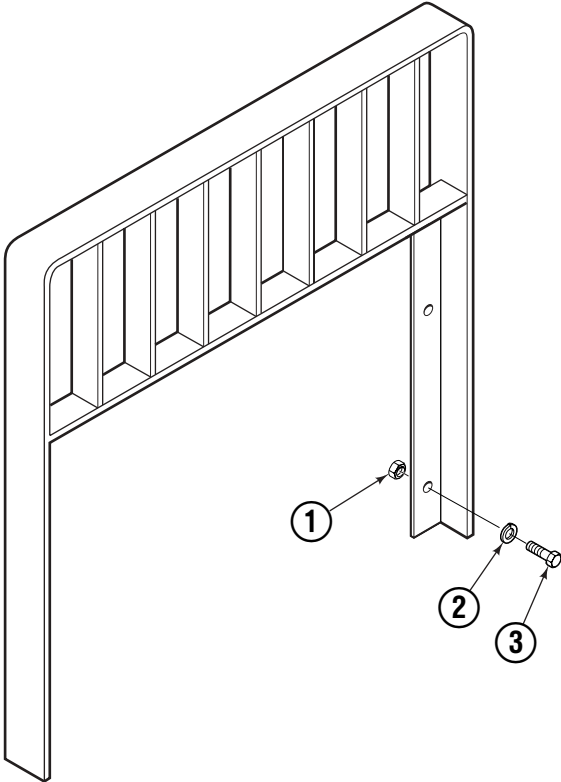


| REF | QTY | PART NO. | DESCRIPTION |
|------|-----|----------|-------------------|
| | | 686243 | Cylinder Assembly |
| 1 | 1 | 561012 | Nut |
| ■ 2 | 1 | 662457 | Seal |
| 3 | 1 | 564562 | Spacer – Head |
| ■ 4 | 1 | 2718 | O-Ring |
| 5 | 1 | 561427 | Piston |
| 6 | 1 | 561419 | Shell |
| 7 | 1 | 561422 | Rod |
| 8 | 1 | 561428 | Retainer |
| ■ 9 | 1 | 2791 | O-Ring |
| ■ 10 | 1 | 615134 | Back-up Ring |
| ■ 11 | 1 | 662449 | Seal |
| 12 | 1 | 561429 | Retaining Ring |
| 13 | 1 | 7215 | Snap Ring |
| ■ 14 | 1 | 626468 | Wiper |
| 15 | 1 | — | Spacer – Rod |
| | | 561430 | Service Kit |

■ Included in Service Kit 561430.

Ref: S-6053, S-6054

Common Parts



FP0500.ill

| REF | QTY | PART NO. | DESCRIPTION |
|-----|-----|----------|--------------|
| | | 219661 | Common Parts |
| | 4 | 5904 | Nut |
| | 4 | 6319 | Lockwasher |
| | 4 | 643542 | Capscrew |

Do you have questions you need answered right now? Call your nearest Cascade Parts Department. Visit us online at www.cascorp.com

Cascade Corporation

2501 Sheridan Avenue
Springfield, OH 45505
Tel: 888-CASCADE (227-2233)
FAX: 888-329-0234

Cascade Canada Inc.

5570 Timberlea Blvd.
Mississauga, Ontario
Canada L4W-4M6
Tel: 905-629-7777
FAX: 905-629-7785

Cascade GmbH

D-41199 Monchengladbach
Klosterhofweg 52
Germany
Tel: 49-216-668230
FAX: 49-216-6682323

Cascade Finland

Albert Petreliuksenkatu 3
01370 Vantaa
Finland
Tel: 358-9-836-1925
FAX: 358-9-836-1935

**Cascade N.V.
European Headquarters**

P.O. Box 3009
1300 El Almere
Damluisweg 56
1332 ED Almere
The Netherlands
Tel: 31-36-5492911
FAX: 31-36-5492964

**Cascade N.V.
Benelux Sales and Service**

P.O. Box 3009
1300 El Almere
Damluisweg 56
1332 ED Almere
The Netherlands
Tel: 31-36-5492950
FAX: 31-36-5492974

Cascade (UK) Ltd.

15, Orgreave Crescent
Dore House Industrial Estate
Handsworth
Sheffield S13 9NQ
England
Tel: 742-697524
FAX: 742-695121

Cascade Scandinavia AB

Box 124
Hammarvägen 10
567 23 Vaggeryd
Sweden
Tel: 42-0-393-36950
FAX: 46-0-393-36959

Cascade Norway

Østerliveien 37A
1153 Oslo
Norway
Tel: 47-22-743160
FAX: 47-22-743157

Cascade France S.A.R.L.

1D Rue De Charaintru
BP 18, 91360 Epinay-Sur-Orge
Morangis Cedex, France
Tel: 33-1- 64547500
FAX: 33-1-64547501

Cascade Hispania S.A.

Carrer 5 Sector C
Zona Franca Duanera
Poligono de la Zon Franca
08040 Barcelona, Spain
Office No. 256
Tel: 93-264-07-30
FAX: 93-264-07-31

Cascade Japan Ltd.

5-5-41,
Torikai Kami
Settsu, Osaka
Japan, 566
Tel: 81-726-53-3490
FAX: 81-726-53-3497

Cascade Korea

108B, Namdong Ind Complex
658-3 Gojan-Dong
Namdong-Gu
Inchon, 405-310 Korea
Tel: 82-32-821-2051
FAX: 82-32-821-2055

Cascade Australia

1445 Ipswich Road
Rocklea, QLD 4106
Australia
Tel: 1-800227-223
FAX: (07) 3373-7333

Cascade New Zealand

15 Ra Ora Drive
East Tamaki, Auckland
New Zealand
Tel: 9-273-9136
FAX: 9-273-9137

Cascade (Africa) Pty. Ltd.

P.O. Box 625, Isando 1600
60A Steel Road
Sparton, Kempton Park
South Africa
Tel: 27-11-975-9240
FAX: 27-11-394-1147

Cascade-Xiamen

No. 668 Yangguang Rd.
Xinyang Industrial Zone
Haicang, Xiamen City
Fujian Province
P.R. China 361026
Tel: 86-592-651-2500
FAX: 86-592-651-2571

**Cascade (Singapore)
Trading Co.**

Four Seasons Park
Autumn Block - Apt. 1802
12 Cuscaden Walk
Singapore
Tel: 65-834-1935
FAX: 65-834-1936

