



Parts Manual

Model Carton Clamp

Serial Number 25D-CCS-130

cascade[®]
corporation

For Technical Assistance call: 800-227-2233, Fax: 888-329-8207

To Order Parts call: 888-227-2233, Fax: 888-329-0234

OR

Write: Cascade Corporation, P.O. Box 20187, Portland, OR 97220

Internet: www.cascorp.com

Safety Decals



| REF | QTY | PART NO. | DESCRIPTION |
|-----|-----|----------|-------------------------|
| 1 | 1 | 679150 | No Step Decal |
| 2 | 2 | 665595 | No Hand Hold Decal |
| 3 | 1 | 679059 | Quick Change Hook Decal |

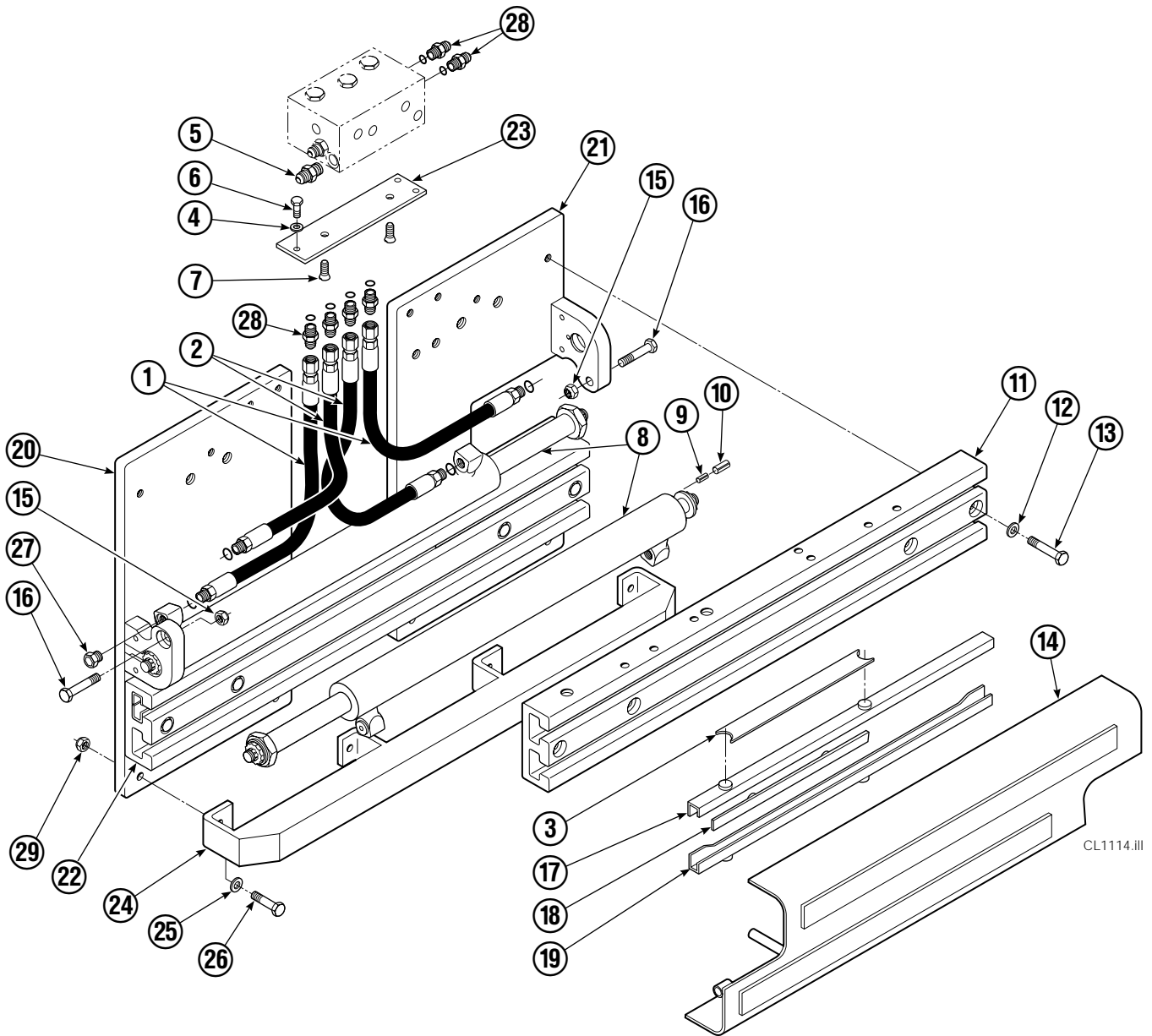
Publications



GA0006.eps

| PART NO. | DESCRIPTION |
|----------|---------------------------------|
| 670487 | Service Manual |
| 670834 | Operators Guide |
| 670488 | Installation Instructions |
| 680664 | Servicing Cascade Cylinders-VHS |
| 679929 | Tool Catalog |
| 673964 | Literature Index Order Form |

Base Unit Group



CL1114.iii

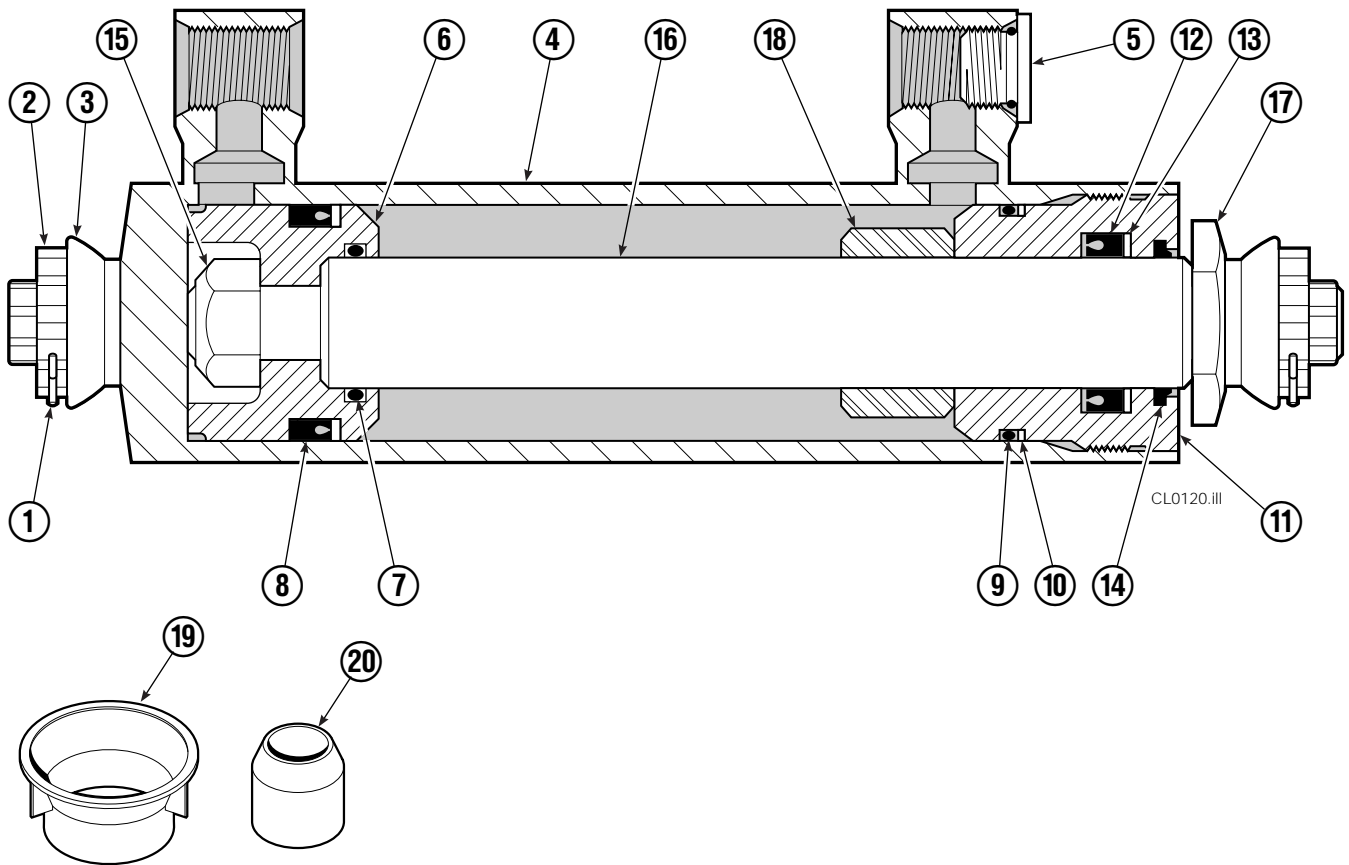
| 25D | | | | | | | |
|-----|-----|----------|------------------|-----|-----|----------|---------------------|
| REF | QTY | PART NO. | DESCRIPTION | REF | QTY | PART NO. | DESCRIPTION |
| | | 3014916 | Base Unit | 15 | 2 | 763025 | Nut, M12 |
| 1 | 2 | 210436 | Hose, 24.75 in. | 16 | 2 | 768414 | Capscrew, M12x65 |
| 2 | 2 | 210449 | Hose, 18.25 in. | 17 | 4 | 208858 | Bearing |
| 3 | 1 | 675326 | Shim Kit ■ | 18 | 4 | 667663 | Bearing |
| 4 | 2 | 209021 | Washer, M10 | 19 | 4 | 208857 | Bearing |
| 5 | 1 | 601377 | Fitting, 8-8 | 20 | 1 | 220996 | Mounting Plate - RH |
| 6 | 2 | 684594 | Capscrew, M10x20 | 21 | 1 | 220997 | Mounting Plate - LH |
| 7 | 2 | 766646 | Capscrew, M10x20 | 22 | 1 | 221417 | Frame - Lower |
| 8 | 2 | 671570 | Cylinder ▲ | 23 | 1 | 669957 | Plate |
| 9 | 2 | 768953 | Roll Pin - Inner | 24 | 1 | 671545 | Bumper - Lower |
| 10 | 2 | 769009 | Roll Pin - Outer | 25 | 4 | 683001 | Washer, M12 |
| 11 | 1 | 221280 | Frame - Upper | 26 | 4 | 768556 | Capscrew, M12x45 |
| 12 | 16 | 202251 | Washer | 27 | 2 | 602580 | Fitting, 8 |
| 13 | 8 | 684659 | Capscrew, M12x75 | 28 | 6 | 611288 | Fitting, 6-8 |
| 14 | 1 | 672331 | Bumper | 29 | 4 | 688387 | Nut, M12 |

■ Includes two .015 Shims, and eight .020 Shims.

Reference: SK-6390.

▲ See Cylinder page or parts breakdown.

Cylinder



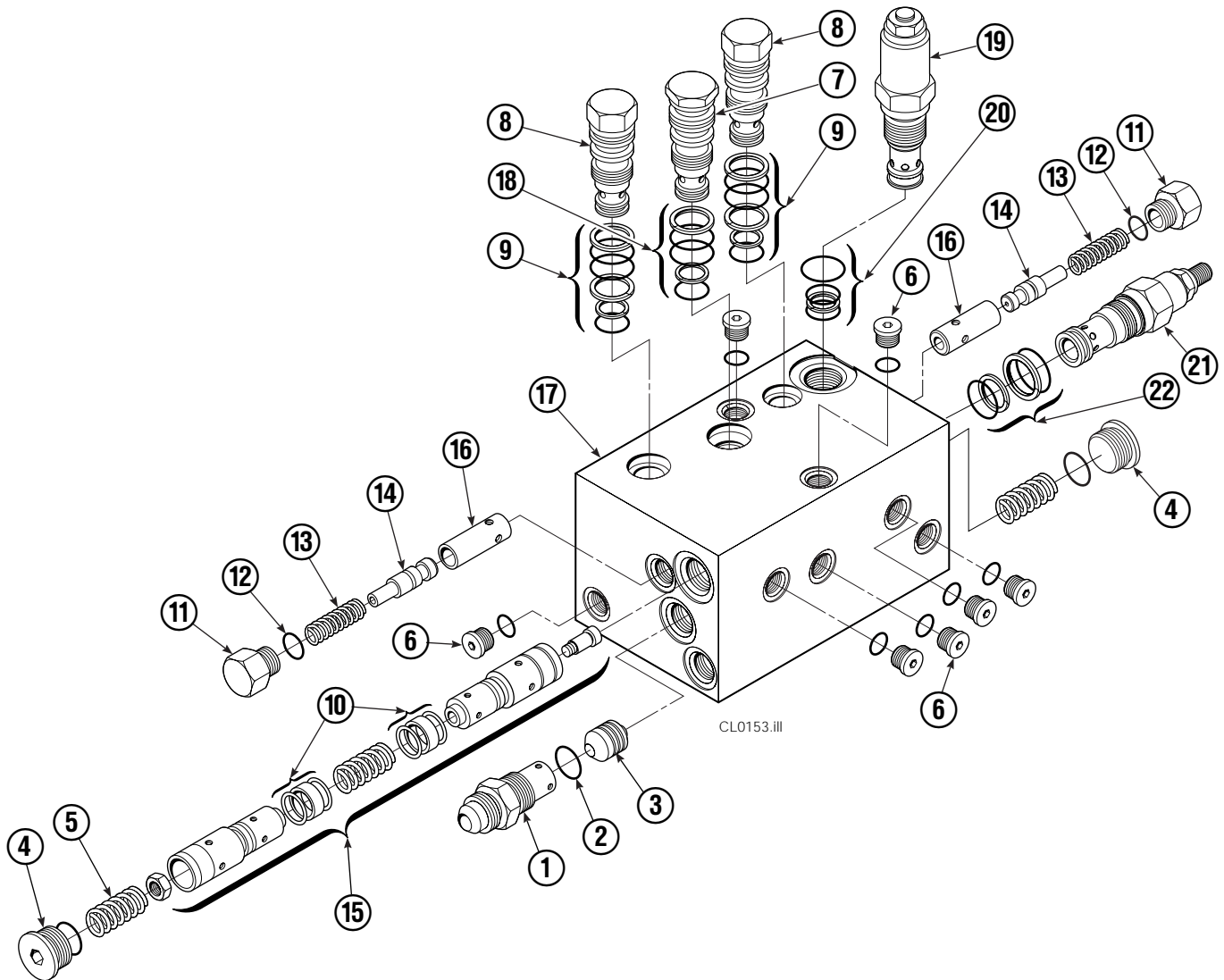
| 25D | | | |
|-----|-----|----------|-------------------------|
| REF | QTY | PART NO. | DESCRIPTION |
| | | 671570 | Cylinder Assembly |
| 1 | 2 | 6510 | Cotter Pin ■ |
| 2 | 2 | 667624 | Nut Retainer ■ |
| 3 | 2 | 667625 | Nut ■ |
| 4 | 1 | 671572 | Shell |
| 5 | 1 | 602580 | Fitting |
| 6 | 1 | 558200 | Piston |
| 7 | 1 | 2716 | O-Ring ▲ |
| 8 | 1 | 662452 | Seal ▲ |
| 9 | 1 | 2785 | O-Ring ▲ |
| 10 | 1 | 615128 | Back-Up Ring ▲ |
| 11 | 1 | 563906 | Retainer |
| 12 | 1 | 662448 | Seal ▲ |
| 13 | 1 | 638243 | Nylon Ring ▲ |
| 14 | 1 | 636853 | Wiper ▲ |
| 15 | 1 | 667623 | Nut |
| 16 | 1 | 667623 | Rod |
| 17 | 1 | 667626 | Washer |
| 18 | 1 | — | Spacer |
| 19 | 1 | 671047 | Seal Loader, Piston ▲ |
| 20 | 1 | 671051 | Seal Loader, Retainer ▲ |
| | | 668021 | Service Kit |

▲ Included in Service Kit 668021.

■ Included in Nut Service Kit 668926.

Reference: S-7605, S-7658

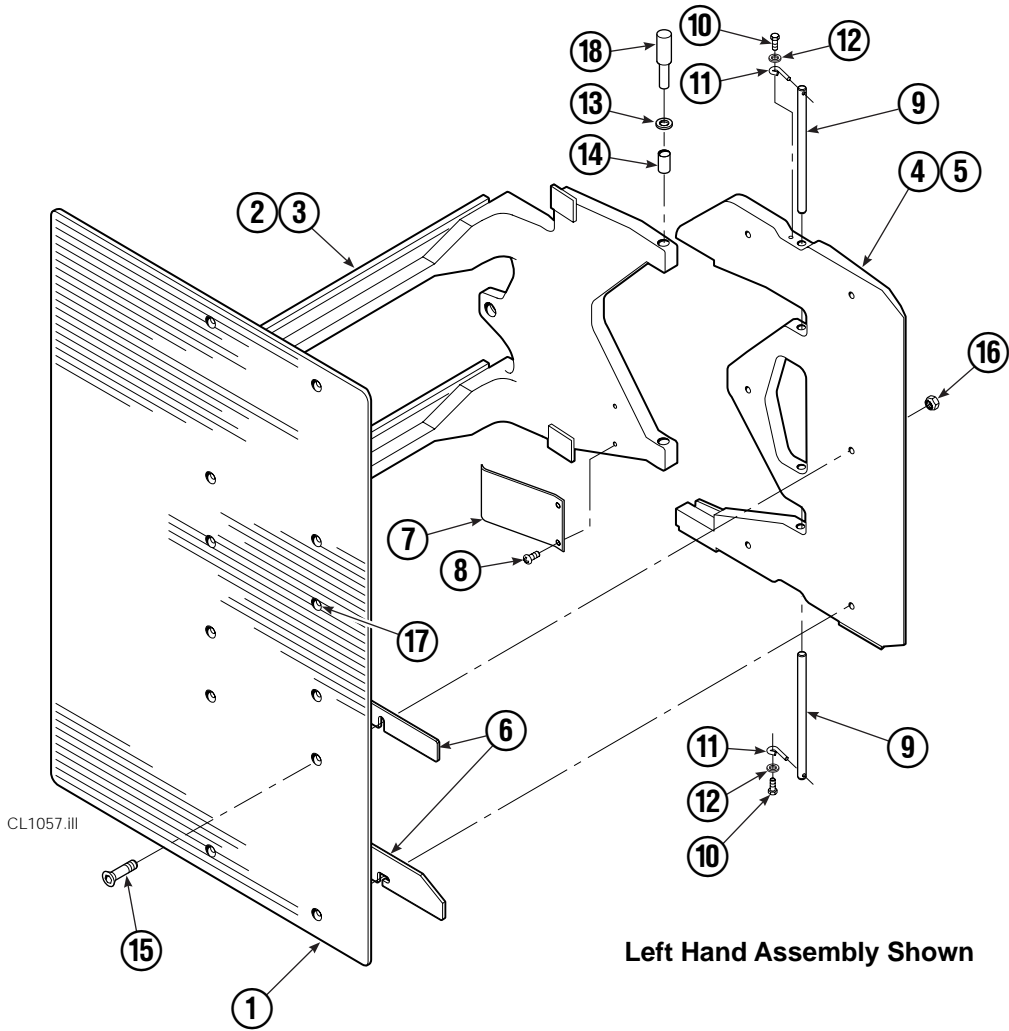
Valve Group



| REF | QTY | PART NO. | DESCRIPTION | REF | QTY | PART NO. | DESCRIPTION |
|-----|-----|----------|--------------------|-----|-----|----------|----------------|
| | | 343684 | Valve Group | 12 | 2 | 2840 | O-Ring ● |
| 1 | 1 | 667490 | Special Fitting | 13 | 2 | 673098 | Spring |
| 2 | 1 | 2841 | O-Ring ● | 14 | 2 | 667492 | Poppet |
| 3 | 1 | 667471 | Spool | 15 | 1 | 673089 | Spool Assembly |
| 4 | 2 | 609453 | Fitting, 10 | 16 | 2 | 667491 | Sleeve |
| 5 | 2 | 667487 | Spring | 17 | 1 | 343685 | Valve Body |
| 6 | 7 | 604510 | Fitting, 6 | 18 | 1 | 661347 | Service Kit ● |
| 7 | 1 | 678270 | Check Valve - VPO | 19 | 1 | 334615 | Relief Valve |
| 8 | 2 | 659058 | Check Valve - PO | 20 | 1 | 684625 | Service Kit |
| 9 | 2 | 667516 | Service Kit ● | 21 | 1 | 343687 | Relief Valve |
| 10 | 1 | 679846 | Low Flow Spool Kit | 22 | 1 | 667510 | Service Kit |
| 11 | 2 | 667494 | Fitting | | | 667513 | Service Kit |

● Included in Service Kit 667513.

Arms and Pads



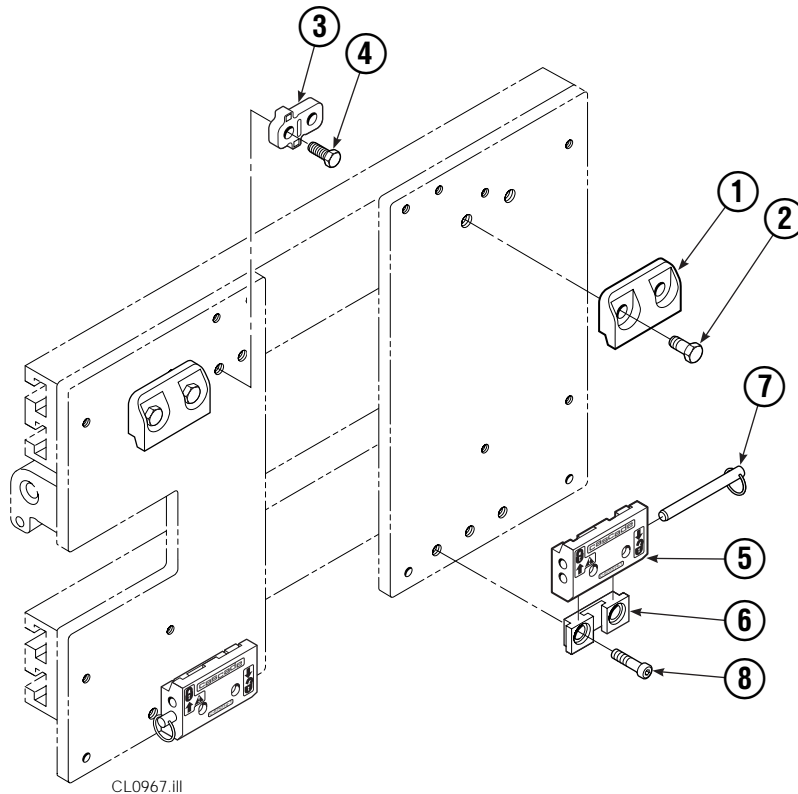
| 15D | | | | | | | |
|-----|-----|----------|---------------------------|-----|-----|----------|------------------------|
| REF | QTY | PART NO. | DESCRIPTION | REF | QTY | PART NO. | DESCRIPTION |
| 1 | 2 | 221510 | Contact Pad – 30x48 in. ■ | 10 | 4 | 787372 | Capscrew, M8 x 20 |
| 2 | 1 | 221534 | Arm – LH | 11 | 4 | 682999 | Eye Pin |
| 3 | 1 | 221489 | Arm – RH | 12 | 4 | 787398 | Washer, M8 |
| 4 | 1 | 221499 | Stabilizer – LH | 13 | 8 | 675620 | Washer, M10 |
| 5 | 1 | 221495 | Stabilizer – RH | 14 | 8 | 200590 | Bushing |
| 6 | 1 | 221501 | Shim Kit | 15 | 12 | 768706 | Capscrew, M12 x 35 |
| 7 | 2 | 210154 | Spring | 16 | 12 | 773842 | Nut, M12 |
| 8 | 4 | 203405 | Capscrew, M10 x 16 | 17 | ▲ | 676841 | Contact Pad Repair Kit |
| 9 | 4 | 210161 | Pin | 18 | 1 | 675626 | Tool – Bushing Driver |

Reference: 221498, 221511, SK-6390.

▲ Repairs one hole.

■ Length x Height.

Quick-Change Mounting Group



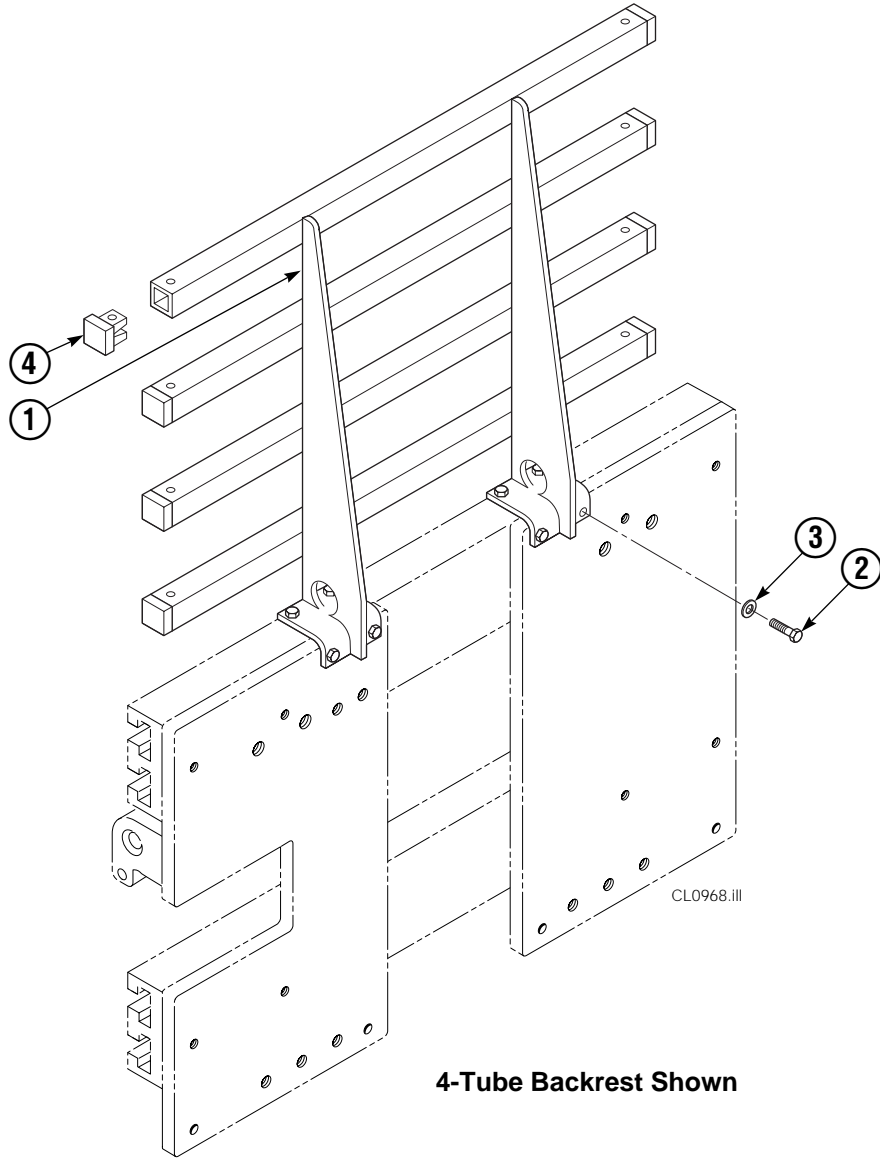
| REF | QTY | ITA II | DESCRIPTION |
|-----|-----|----------|------------------------|
| | | PART NO. | |
| | | 211162 | Upper Mounting Group ▲ |
| | | 211174 | Lower Mounting Group ● |
| 1 | 2 | 210491 | Upper Hook |
| 2 | 4 | 768577 | Capscrew, M20 x 35 |
| 3 | 1 | 212999 | Center Key |
| 4 | 2 | 211129 | Capscrew, M16 x 35 |
| 5 | 2 | 675514 | Lower Hook |
| 6 | 2 | 675515 | Guide |
| 7 | 2 | 678832 | Pin |
| 8 | 4 | 211180 | Capscrew, M16 x 30 |

▲ Includes items 1–4.

● Includes items 5–8.

Reference: SK-6390.

Backrest Group



| 25D | | | |
|-----|-----|----------|------------------|
| REF | QTY | PART NO. | DESCRIPTION |
| | | 221577 | Backrest Group |
| 1 | 1 | 669897 | Backrest |
| 2 | 8 | 768810 | Capscrew, M10x30 |
| 3 | 8 | 667910 | Washer, M10 |
| 4 | 8 | 674356 | Tube End |

Reference: SK-6390.

Do you have questions you need answered right now? Call your nearest Cascade Parts Department. Visit us online at www.cascorp.com

Cascade Corporation
2501 Sheridan Avenue
Springfield, OH 45505
Tel: 888-CASCADE (227-2233)
FAX: 888-329-0234

Cascade Canada Inc.
5570 Timberlea Blvd.
Mississauga, Ontario
Canada L4W-4M6
Tel: 905-629-7777
FAX: 905-629-7785

Cascade GmbH
Dahlener Strasse 570
41239 Mönchengladbach
Germany
Tel: 02166-68230
FAX: 02166-682323

Cascade Finland
A. Petreliuksenkatu 3
01370 Vantaa
Finland
Tel: 09-8361925
FAX: 09-8361935

**Cascade N.V.
Benelux Sales and Service**
Damsluisweg 56
PO Box 3009
1300 El Almere
The Netherlands
Tel: 036-5492950
FAX: 036-5492974

Cascade (UK) Ltd.
Unit 5, Eden Close
Hellaby Lane Ind. Estate
Heellaby,
Rotherham S66 8RW
England
Tel: 01709-704500
FAX: 01709-704501

**Sales Scotland
Macade Systems Ltd.**
18 Melford Road
Righead Ind. Estate
Bellshill ML4 3LR
Scotland
Tel: 01698-845777
FAX: 01698-845888

Cascade (Africa) Pty. Ltd.
PO Box 625, Isando 1600
60A Steel Road
Sparton, Kempton Park
South Africa
Tel: 975-9240
FAX: 394-1147

Cascade Scandinavia AB
Hammarvägen 10
PO Box 124
S-56723 Vaggeryd
Sweden
Tel: 039-336950
FAX: 039-336959

**Cascade France
S.A.R.L. MHP**
1D Rue De Charaintru
BP 18,
91360 Epinay-Sur-Orge
France
Tel: 01-6454-7500
FAX: 01-6454-7501

Cascade Hispania S.A.
Carrer 5, Sector C
Zona Franca Duanera
Poligono de la Zona Franca
08040 Barcelona
Spain
Tel: 93-264-07-30
FAX: 93-264-07-31

Sales Italy
Via Ponzano 11
50047 Prato
Italy
Tel: 0574-571726
FAX: 0574-571726
Mobile Phone: 0337-673029

**Sales Portugal FAG
Santos Lda**
Rua do Mercado
Lte 6, Loja 2-Tires
2785-630
S. Domingos De Rana
Portugal
Tel: 214-448-083
FAX: 214-458-098

**Sales Switzerland
Fahrzeugbedarf**
8810, Horgen
Switzerland
Tel: 01-7279797
FAX: 01-7279798

Sales Poland
Targowa 35/61
03-728 Warszawa
Tel: 022-619 00 49
FAX: 022-619 00 49
Mobile Phone: 0501-27 29 55

Sales Russia
EMCG Material Handling
Equipment
Moscow
Tel: 095-795-2400
FAX: 095-795-2475
Email: emcg@dol.ru

Cascade Japan Ltd.
5-5-41,
Torikai Kami
Settsu, Osaka
Japan, 566
Tel: 81-726-53-3490
FAX: 81-726-53-3497

Cascade Korea
108B Namdong Ind. Complex
658-3 Gojan-Dong
Namdong-Gu
Inchon, 405-310 Korea
Tel: 82-32-821-2051
FAX: 82-32-821-2055

Cascade Australia
1445 Ipswich Road
Rocklea, QLD 4106
Australia
Tel: 1-800227-223
FAX: (07) 3373-7333

Cascade New Zealand
15 Ra Ora Drive
East Tamaki, Auckland
New Zealand
Tel: 9-273-9136
FAX: 9-273-9137

Cascade-Xiamen
No. 668 Yangguang Rd.
Xinyang Industrial Zone
Haicang, Xiamen City
Fujian Province
P.R. China 361026
Tel: 86-592-651-2500
FAX: 86-592-651-2571

**Cascade (Singapore)
Trading Co.**
Four Seasons Park
Autumn Block - Apt. 1802
12 Cuscaden Walk
Singapore
Tel: 65-834-1935
FAX: 65-834-1936

