



Parts Manual

Model 150D Rotator

Serial Number 150D-RRB-20NR0

cascade[®]
corporation

For Technical Assistance call: 800-227-2233, Fax: 888-329-8207

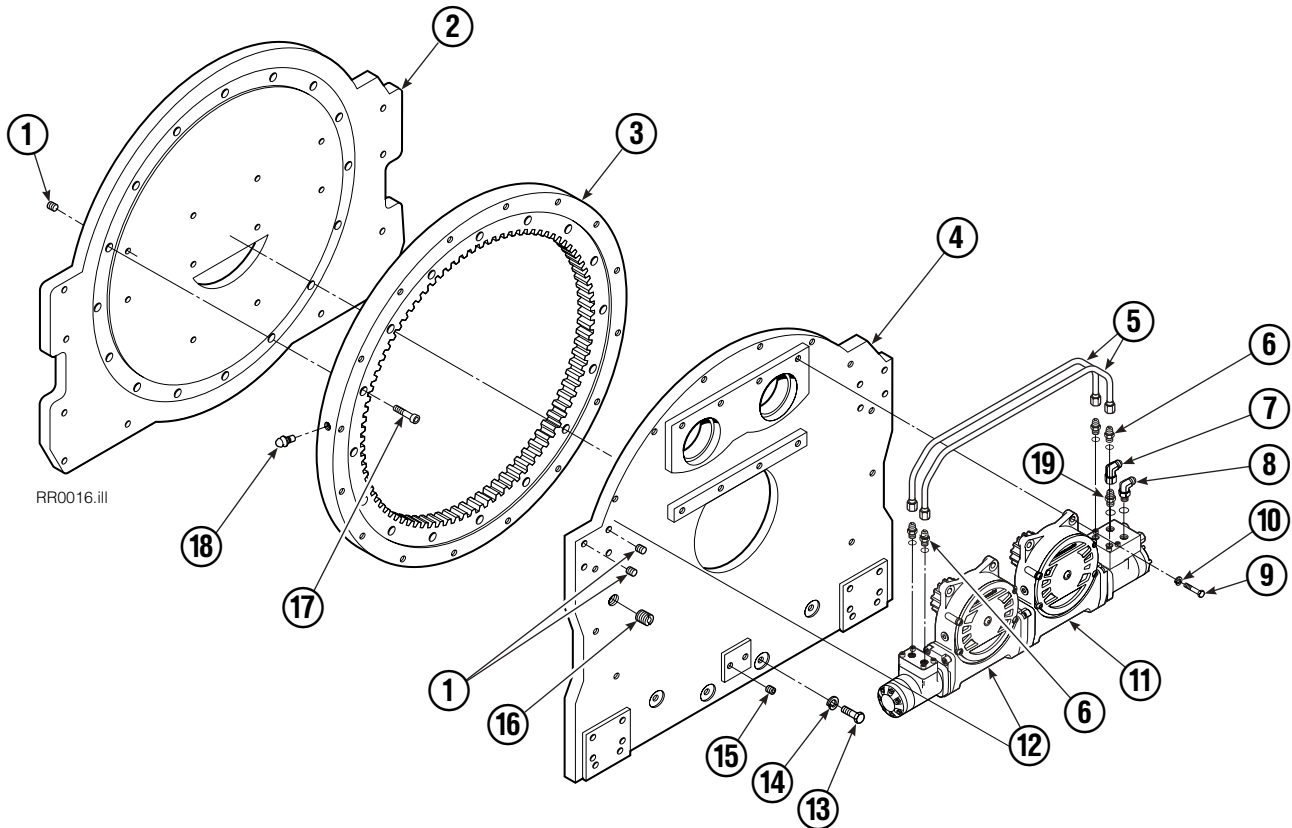
To Order Parts call: 888-227-2233, Fax: 888-329-0234

OR

Write: Cascade Corporation, P.O. Box 20187, Portland, OR 97220

Internet: www.cascorp.com

Frame Group

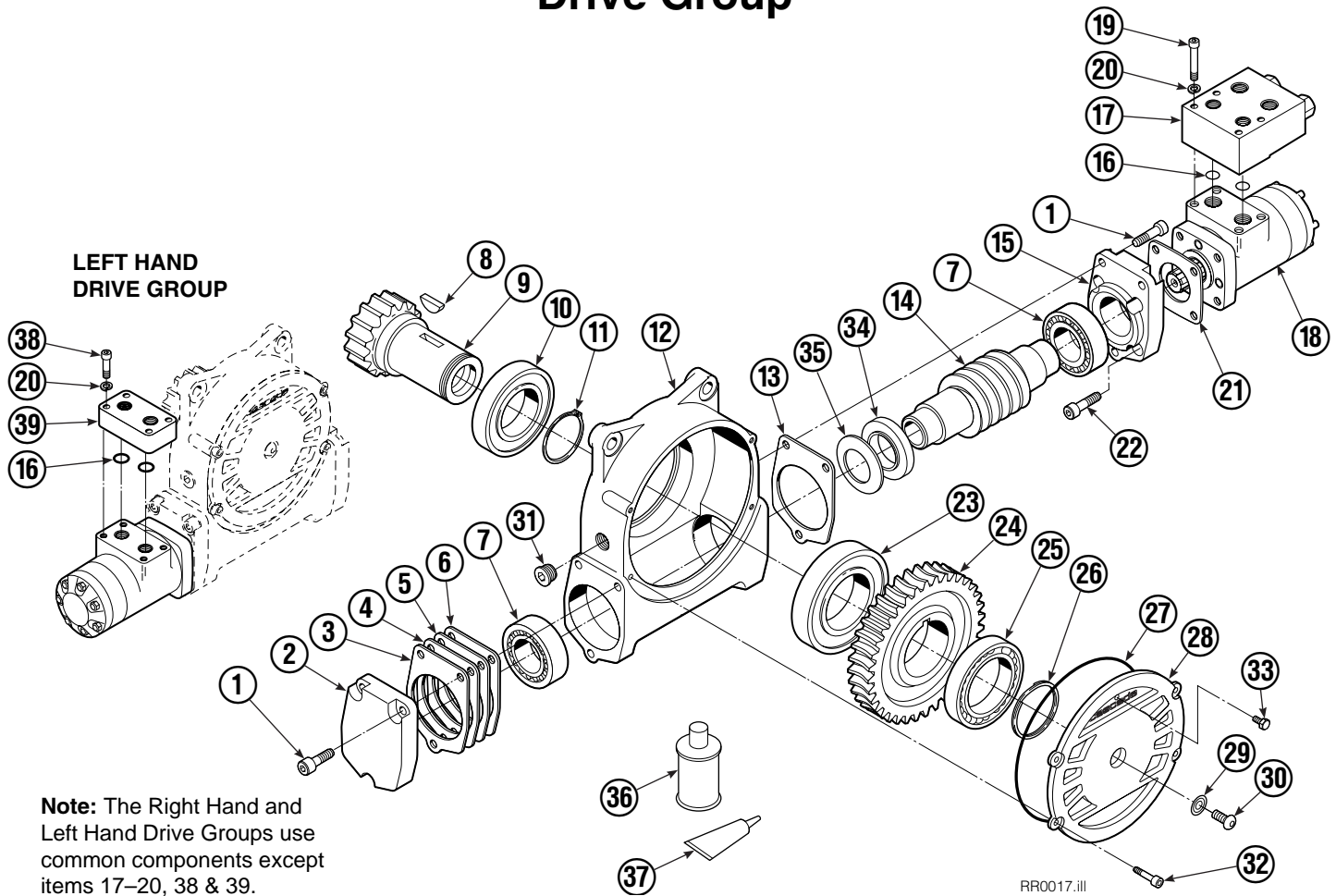


150D			
REF	QTY	PART NO.	DESCRIPTION
		684607	Base Unit Group
1	18	631428	Plug
2	1	670773	Faceplate
3	1	670782	Bearing Assembly
4	1	684611	Baseplate
5	2	670786	Tube Assembly
6	4	662187	Fitting, 8-6
7	1	605761	Fitting, 8-8
8	1	601250	Fitting, 8-8
9	8	661742	Capscrew, 1/2 NC x 1.25 GR5
10	8	6290	Lockwasher
11	1	670558	Drive Group - RH ▲
12	1	670562	Drive Group - LH ▲
13	16	643574	Capscrew, 3/4 NC x 2.25 GR8
14	16	6294	Lockwasher
15	2	631427	Plug
16	1	6612	Plug
17	16	607105	Capscrew, 3/4 NC x 2.00 GR8
18	1	7401	Grease Fitting
19	1	601377	Fitting, 8-8
		672483	Bearing Service Kit

▲ See Drive Group page for parts breakdown.

Reference: Common Parts Group 670781.

Drive Group

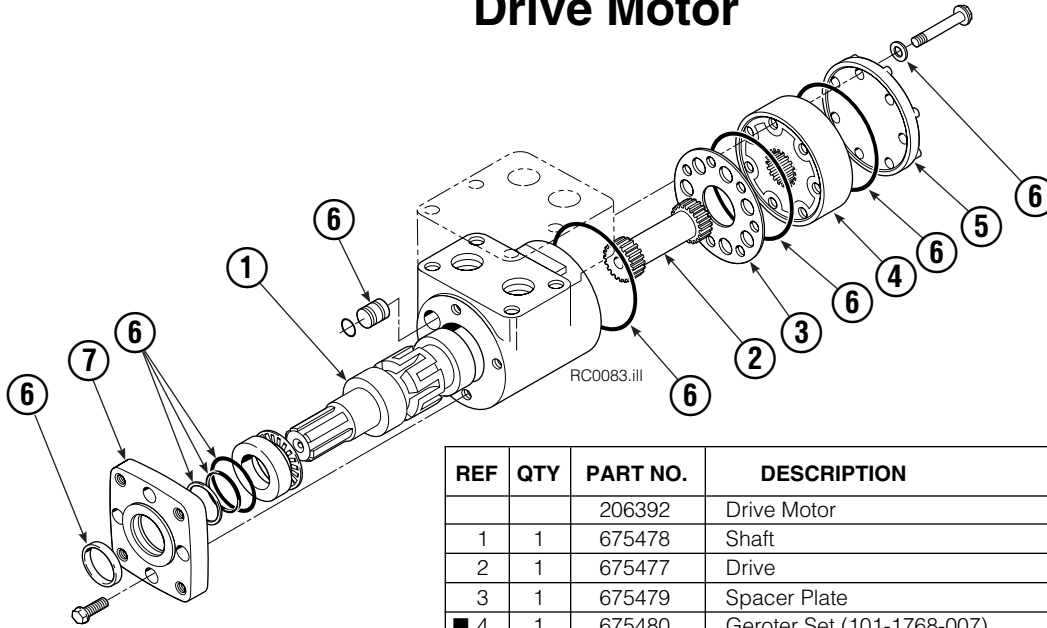


Note: The Right Hand and Left Hand Drive Groups use common components except items 17-20, 38 & 39.

REF	QTY	PART NO.	DESCRIPTION	REF	QTY	PART NO.	DESCRIPTION
		670558	Drive Group - R.H.	21	1	670575	Gasket
		670562	Drive Group - L.H.	22	4	4468	Capscrew, 3/8 NC x .75 GR8
	■	673896	Drive Box Service Kit - R.H.	23	1	670580	Bearing
	■	673867	Drive Box Service Kit - L.H.	24	1	676448	Worm Gear
1	6	607071	Capscrew, 7/16 NC x 1.0 GR8	25	1	670581	Bearing
2	1	676855	Cover	26	1	7214	Snap Ring
3	●	674513	Shim - .005" (blue)	27	1	643423	O-Ring
4	●	670574	Shim - .010" (brown)	28	1	670567	Cover
5	●	671757	Shim - .015" (pink)	29	1	603680	Seal
6	●	671758	Shim - .020" (yellow)	30	1	4874	Capscrew, 3/8 NC x .50 GR8
7	2	670579	Bearing	31	1	6609	Plug
8	1	670582	Key	32	4	671535	Capscrew, 5/16 NC x .75
9	1	670559	Pinion	33	1	644010	Relief Fitting
10	1	670560	Bearing	34	1	672448	Washer
11	1	3160	Snap Ring	35	1	672449	Washer Spring
12	1	670565	Housing	36	1	656300	Gear Box Lube - 48 oz.
13	1	686465	Gasket	37	1	668184	Sealant
14	1	676447	Worm	38	4	607054	Capscrew, 5/16 NC x .75 GR8
15	1	670570	Adapter	39	1	670563	Manifold - L.H. Drive only
16	2	2705	Seal			670578	Shim Service Kit (items 4,5,6 & 37)
◆17	1	670561	Check Valve - R.H. only			671583	Bearing Service Kit (items 23 & 37)
◆18	1	206392	Drive Motor			671584	Bearing Service Kit (items 4-7)
19	4	607060	Capscrew, 5/16 NC x 2.00 GR8			676449	Service Kit, (items 4-6,14,24, & 37)
20	4	6444	Lockwasher			206394	Drive Motor Kit (items 4,16,18,21 & 37)

- Includes all items except 17-20, 38 & 39.
- Quantity as required.
- ◆ See Drive Motor page for parts breakdown.

Drive Motor

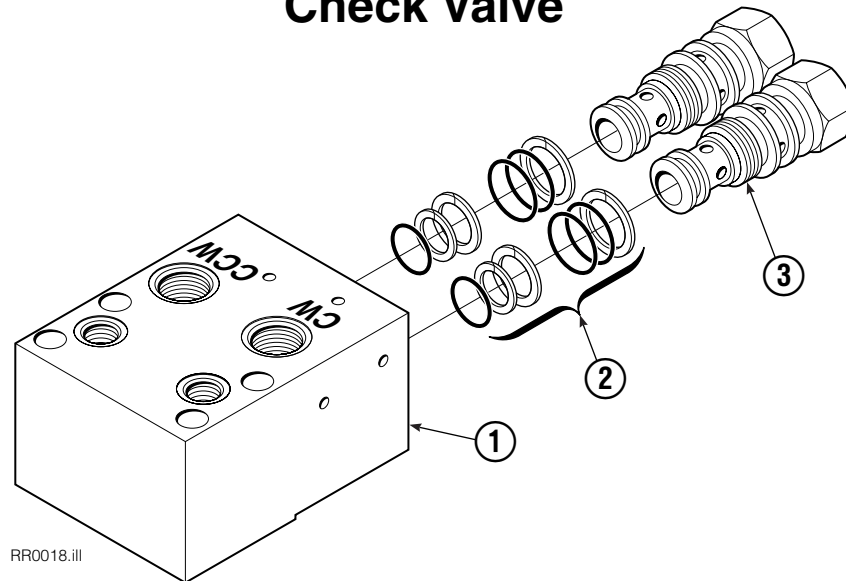


REF	QTY	PART NO.	DESCRIPTION
		206392	Drive Motor
1	1	675478	Shaft
2	1	675477	Drive
3	1	675479	Spacer Plate
■ 4	1	675480	Gerotor Set (101-1768-007)
■ 4	1	685075	Gerotor Set (101-1768-009)
5	1	675482	End Cap
● 6	1	206405	Service Kit
■ 7	1	685089	Flange (101-1768-007)
■ 7	1	685090	Flange (101-1768-009)

Cascade provides service replacement parts for the listed parts only. Due to cost, if others parts need replacement, the complete drive motor should be replaced.

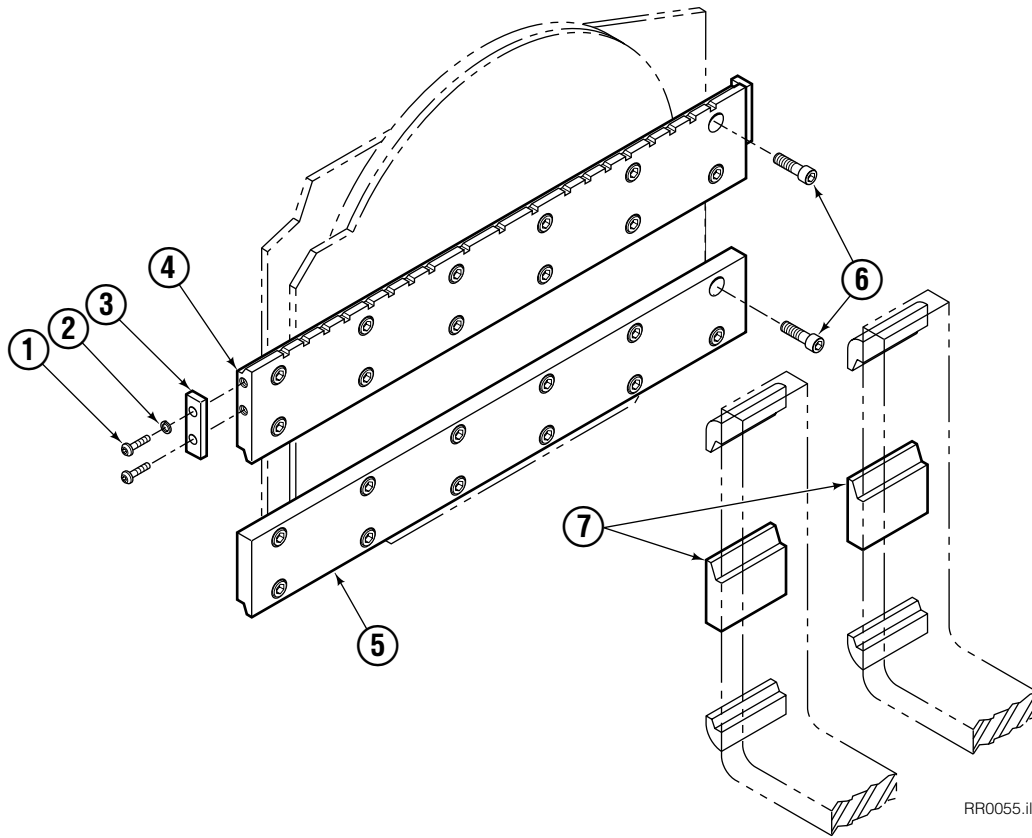
- See Nameplate under valve for correct part number of Gerotor Set and Flange.
- Compatible with water glycol based hydraulic fluids.

Check Valve



REF	QTY	PART NO.	DESCRIPTION
		670561	Check Valve Assembly
1	1	670583	Body
2	2	656223	Seal Kit
3	2	665097	Check Valve

Fork Bar Group



RR0055.ill

150D					
REF	QTY	49 in. PART NO.	61 in. PART NO.	73 in. PART NO.	DESCRIPTION
		681239	681240	681241	Fork Bar Group
1	4	4880	4880	4880	Capscrew, 1/2 NC x 1.0 GR8
2	4	6290	6290	6290	Lockwasher, 3/4 ID
3	2	622148	622148	622148	Keeper
4	1	681242	681243	681244	Upper Bar
5	1	681245	681246	681247	Lower Bar
6	24	681249	681249	681249	Capscrew
7	2	633671	633671	633671	Hook

Do you have questions you need answered right now? Call your nearest Cascade Parts Department. Visit us online at www.cascorp.com

Cascade Corporation
2501 Sheridan Avenue
Springfield, OH 45505
Tel: 888-CASCADE (227-2233)
FAX: 888-329-0234

Cascade Canada Inc.
5570 Timberlea Blvd.
Mississauga, Ontario
Canada L4W-4M6
Tel: 905-629-7777
FAX: 905-629-7785

Cascade GmbH
D-41199 Monchengladbach
Klosterhofweg 52
Germany
Tel: 49-216-668230
FAX: 49-216-6682323

Cascade Finland
Albert Petreliuksenkatu 3
01370 Vantaa
Finland
Tel: 358-9-836-1925
FAX: 358-9-836-1935

**Cascade N.V.
European Headquarters**
P.O. Box 3009
1300 El Almere
Damsluisweg 56
1332 ED Almere
The Netherlands
Tel: 31-36-5492911
FAX: 31-36-5492964

**Cascade N.V.
Benelux Sales and Service**
P.O. Box 3009
1300 El Almere
Damsluisweg 56
1332 ED Almere
The Netherlands
Tel: 31-36-5492950
FAX: 31-36-5492974

Cascade (UK) Ltd.
15, Orgreave Crescent
Dore House Industrial Estate
Handsworth
Sheffield S13 9NQ
England
Tel: 742-697524
FAX: 742-695121

Cascade Scandinavia AB
Box 124
Hammarvägen 10
567 23 Vaggeryd
Sweden
Tel: 42-0-393-36950
FAX: 46-0-393-36959

Cascade Norway
Østerliveien 37A
1153 Oslo
Norway
Tel: 47-22-743160
FAX: 47-22-743157

Cascade France S.A.R.L.
1D Rue De Charaintru
BP 18, 91360 Epinay-Sur-Orge
Morangis Cedex, France
Tel: 33-1- 64547500
FAX: 33-1-64547501

Cascade Hispania S.A.
Carrer 5 Sector C
Zona Franca Duanera
Poligono de la Zon Franca
08040 Barcelona, Spain
Office No. 256
Tel: 93-264-07-30
FAX: 93-264-07-31

Cascade Japan Ltd.
5-5-41,
Torikai Kami
Settsu, Osaka
Japan, 566
Tel: 81-726-53-3490
FAX: 81-726-53-3497

Cascade Korea
108B, Namdong Ind Complex
658-3 Gojan-Dong
Namdong-Gu
Inchon, 405-310 Korea
Tel: 82-32-821-2051
FAX: 82-32-821-2055

Cascade Australia
1445 Ipswich Road
Rocklea, QLD 4106
Australia
Tel: 1-800227-223
FAX: (07) 3373-7333

Cascade New Zealand
15 Ra Ora Drive
East Tamaki, Auckland
New Zealand
Tel: 9-273-9136
FAX: 9-273-9137

Cascade (Africa) Pty. Ltd.
P.O. Box 625, Isando 1600
60A Steel Road
Sparton, Kempton Park
South Africa
Tel: 27-11-975-9240
FAX: 27-11-394-1147

Cascade-Xiamen
No. 668 Yangguang Rd.
Xinyang Industrial Zone
Haicang, Xiamen City
Fujian Province
P.R. China 361026
Tel: 86-592-651-2500
FAX: 86-592-651-2571

**Cascade (Singapore)
Trading Co.**
Four Seasons Park
Autumn Block - Apt. 1802
12 Cuscaden Walk
Singapore
Tel: 65-834-1935
FAX: 65-834-1936

