



Parts Manual

Model Integral Fork Positioner

Serial Number 150J-IFS-F272R0

cascade[®]
corporation

For Technical Assistance call: 800-227-2233, Fax: 888-329-8207

To Order Parts call: 888-227-2233, Fax: 888-329-0234

OR

Write: Cascade Corporation, P.O. Box 20187, Portland, OR 97220

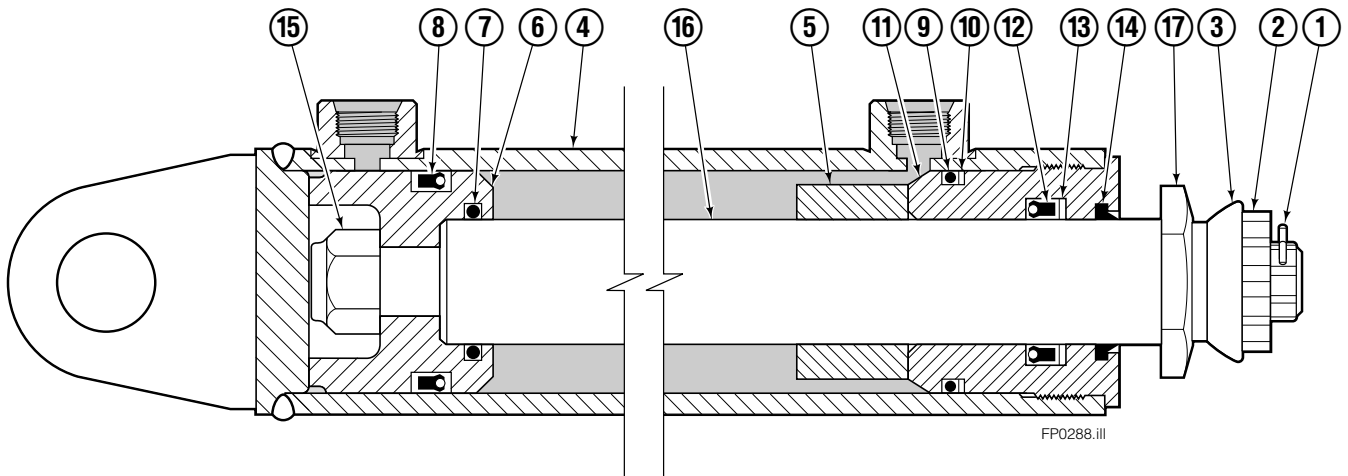
Internet: www.cascorp.com

Carriage Assembly

150J			
REF	QTY	PART NO.	DESCRIPTION
		6102722	Carriage Assembly
1	1	6101676	Carriage
2	7	3012106	Upper Bearing
3	2	3013187	Lower Bearing
4	8	766646	Capscrew, M10 x 20
5	2	6012723	▲ Lower Retainer
6	4	769575	▲ Capscrew, M16 x 40
7	1	6100611	Frame
8	2	6011888	Shaft
9	2	3014343	Cylinder Clamp
10	1	3014344	Clamp Support
11	3	684800	Capscrew, M12 x 100
12	2	3012749	Retainer
13	4	768706	Capscrew, M12 x 35
14	2	6011545	Cylinder ◆
15	2	678528	Clevis Pin
16	2	672726	Cotter Pin
17	2	686215	Clevis Pin
18	2	686217	Cotter Pin
19	1	6011934	Fork Carrier – LH
20	1	6011900	Fork Carrier – RH
21	1	6003547	Cylinder ◆
22	1	6104570	● Cross-Over Relief Valve
23	2	768798	● Capscrew, M8 x 45
24	2	626505	● Fitting, 6-6
25	2	611329	● Fitting, 6-6
26	1	6101270	Hydraulic Group ■
27	1	6101653	Component Group ■
28	2	6100855	Fork Weldment ■

- ◆ See Cylinder page for parts breakdown.
- ▲ Included in Frame Retainer Assembly 6012727.
- Included in Valve Group 6104569.
- See specific page for parts breakdown.

Cylinder

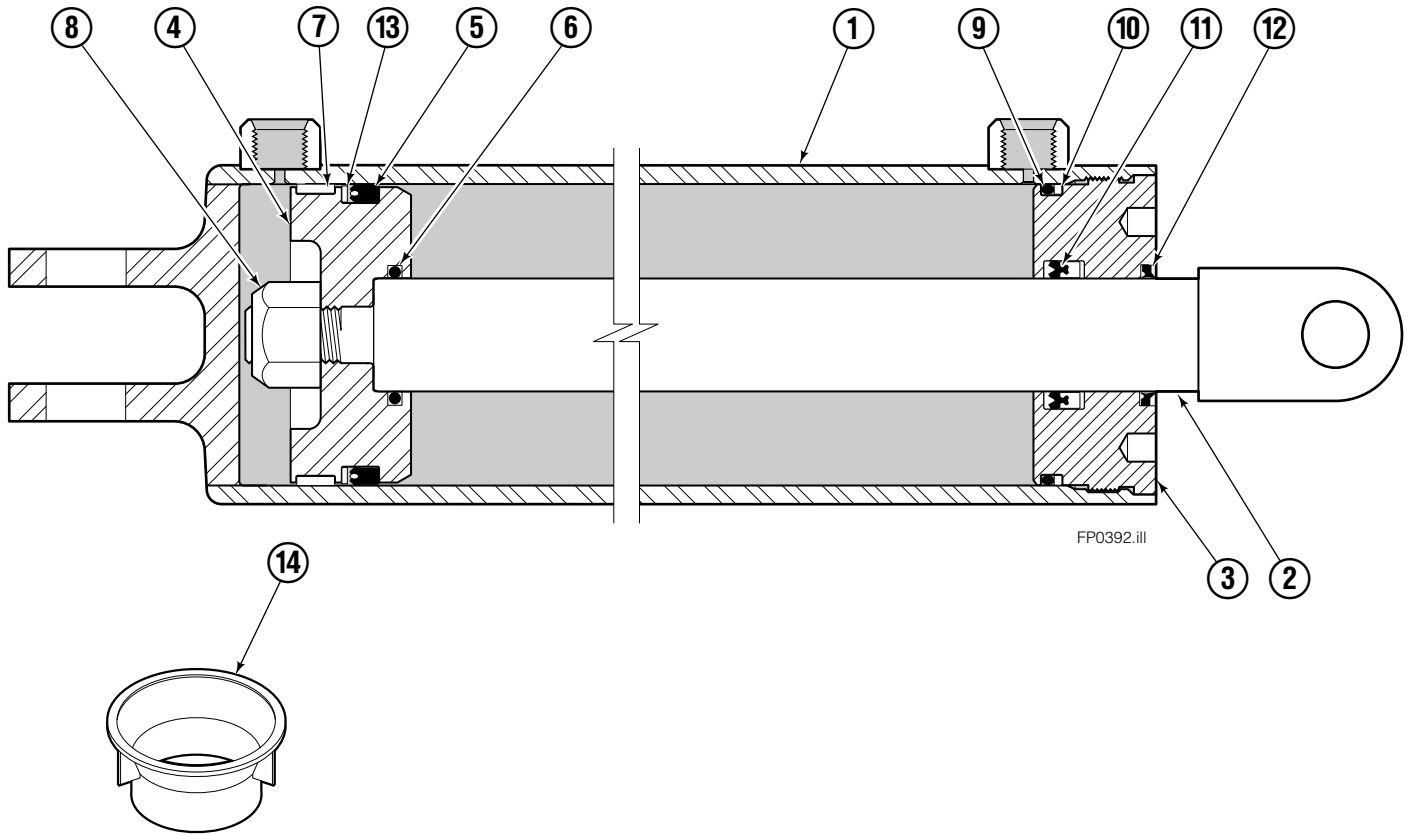


150J			
REF	QTY	PART NO.	DESCRIPTION
		6011545	Cylinder Assembly
1	2	6510	Cotter Pin
2	2	667624	Nut Retainer
3	2	667625	Nut
4	1	6011548	Shell
5	1	6011552	Spacer
6	1	558200	Piston
7	1	2716	▲ O-Ring
8	1	662452	▲ Seal
9	1	2785	▲ O-Ring
10	1	615128	▲ Back-Up Ring
11	1	563906	Retainer
12	1	662448	▲ Seal
13	1	638243	▲ Nylon Ring
14	1	636853	▲ Wiper
15	1	667623	Nut
16	1	6011549	Rod
17	1	667626	Washer
	1	671047	▲ Seal Loader, Piston
	1	671051	▲ Seal Loader, Retainer
		668021	Service Kit

▲ Included in Service Kit 668021.

Reference: S-20040, S-20101.

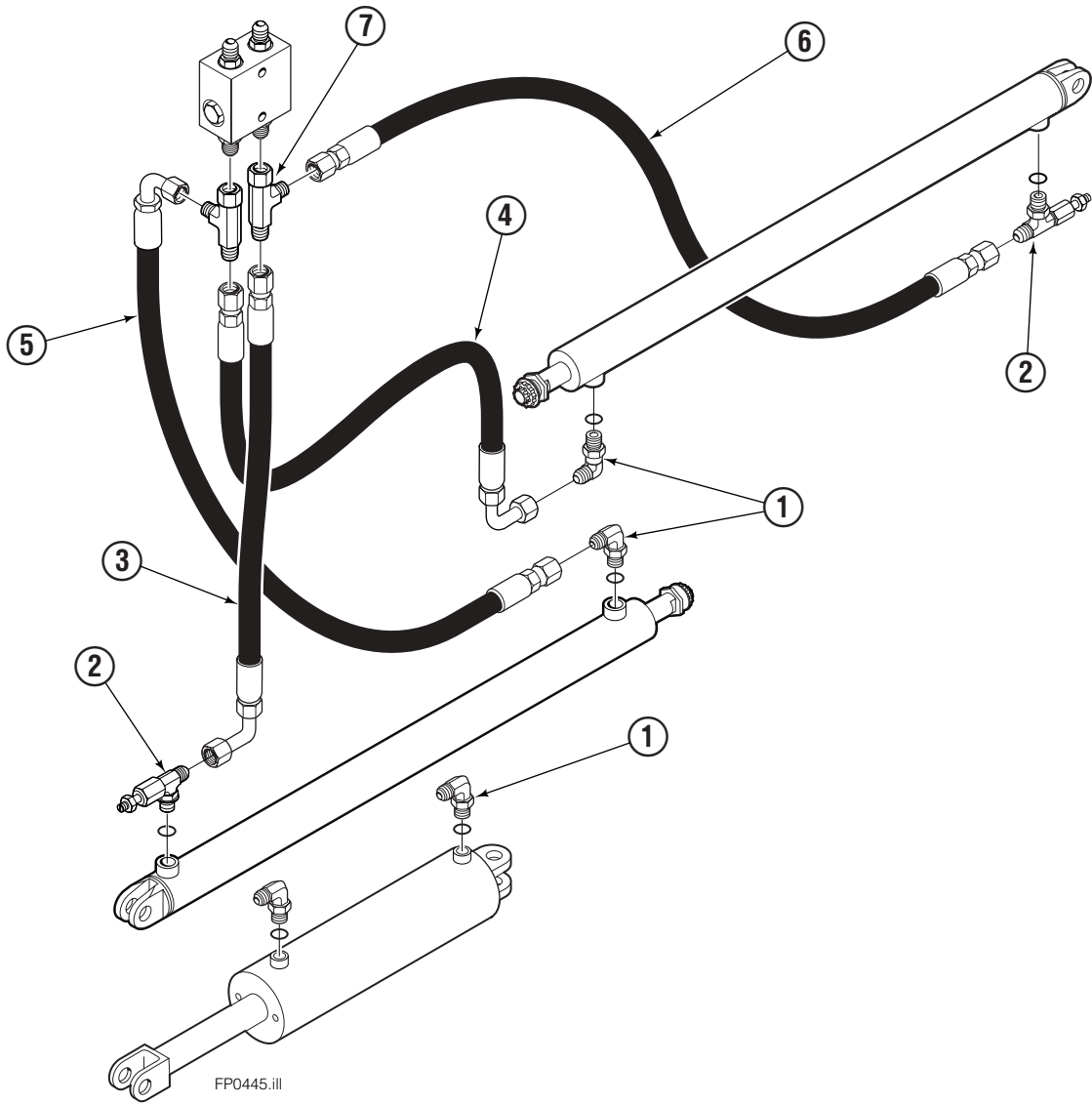
Sideshift Cylinder



REF	QTY	PART NO.	DESCRIPTION
		6003547	Cylinder Assembly
1	1	6003548	Shell
2	1	6003549	Rod
3	1	555207	Retainer
4	1	555226	Piston
5	1	662460	◆ Seal
6	1	2722	◆ O-Ring
7	1	660767	◆ Bearing
8	1	560997	Nut
9	1	2797	◆ O-Ring
10	1	615140	◆ Back-Up Ring
11	1	554598	◆ Seal
12	1	564930	◆ Wiper
13	2	638293	◆ Back-Up Ring
14	1	672909	Seal Loader
		555227	Service Kit

◆ Included in Service Kit 555227.

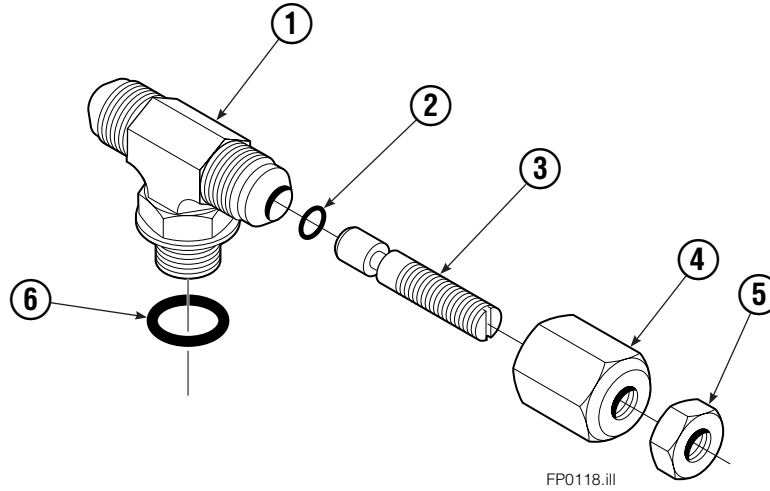
Hydraulic Group



150J			
REF	QTY	PART NO.	DESCRIPTION
		6101270	Hydraulic Group
1	4	601676	Fitting, 6-6
2	2	617487	Restrictor Fitting ◆
3	1	6101233	Hose, 13.25 in.
4	1	6010447	Hose, 43 in.
5	1	6012258	Hose, 47 in.
6	1	3009235	Hose, 66 in.
7	2	611329	Fitting, 6-6

◆ See Restrictor Fitting page for parts breakdown.

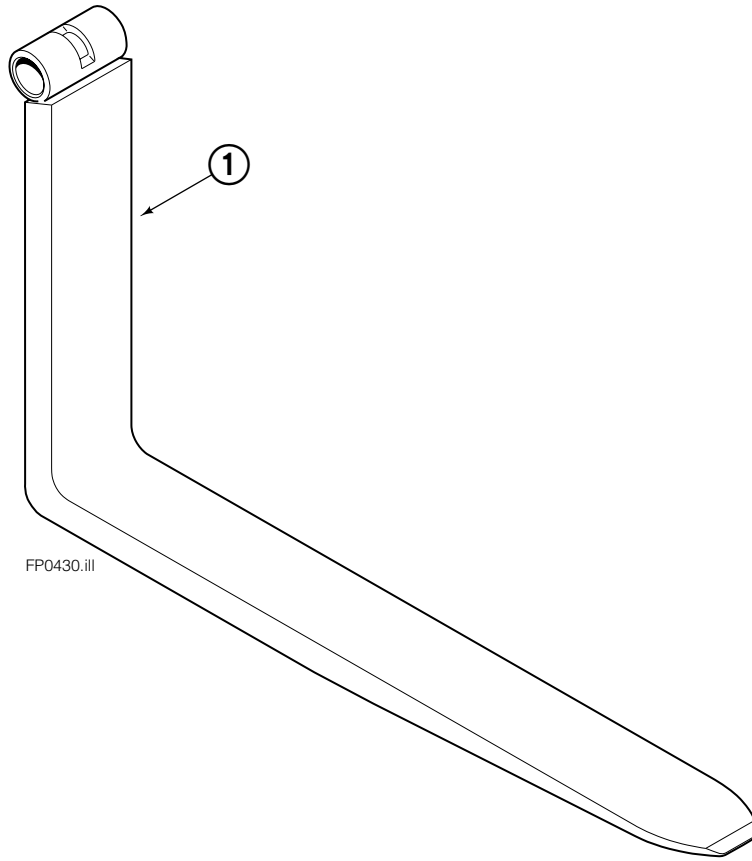
Restrictor Fitting



FP0118.ill

REF	QTY	PART NO.	DESCRIPTION
		617487	Restrictor Assembly
1	1	617486	Tee
2	1	2698	O-Ring
3	1	11100	Setscrew
4	1	11099	Cap
5	1	5715	Jam Nut
6	1	2840	O-Ring

Fork Weldment



REF	QTY	PART NO.	DESCRIPTION
	2	6100855	Fork Weldment

IMF : -		6101653		R-0	
HYSTER L346942: P/N QTY DESCRIPTION 1333648 6 LOAD ROLLER 126765 AR SHIM 187489 6 SNAP RING - EXT 1331992 2 CHAIN ANCHOR 1307395 2 PIN - CHAIN ANCHOR 15222 2 HCE-561 PIN .125 X .750 IN 343946 2 WASHER SET - SPHERICAL 293723 4 HCE-1017 NUT M24x3 366116 2 SPACER					
ASSEMBLY NOTE: LOCATE 366116 SPACER BETWEEN 187489 SNAP RING AND 1333648 LOAD ROLLER TOP 2 ROLLERS ONLY					
ECN: 1420568		MATERIAL OPTIONS:		DRFTR: JWALLIS	
A RELEASED		LISTED		DATE:1999/07/22	
		-		PE: JWALLIS	
		-		WELD APPR	
		-		-	
		SEE CASCADE ENG STANDARDS FOR DRAFTING CONVENTIONS CMC = CASCADE MATL. CODE CPS = CASCADE PROCESS STD. CWS = CASCADE WELD SPEC.		CASCADE CORPORATION THIS DRAWING IS THE PROPERTY OF CASCADE AND CONTAINS CONFIDENTIAL INFORMATION. DO NOT REPRODUCE OR USE WITHOUT WRITTEN APPROVAL	
		DISTRIBUTION		WELD DATE	
				-	
				WT: - -	
				HYST 1318162/1313806	
				COMPONENT GROUP	
				GEN-AAT	
				SHT 1 / -	
				6101653	
				R-0	

METRIC

Do you have questions you need answered right now? Call your nearest Cascade Parts Department. Visit us online at www.cascorp.com

Cascade Corporation
2501 Sheridan Avenue
Springfield, OH 45505
Tel: 888-CASCADE (227-2233)
FAX: 888-329-0234

Cascade Canada Inc.
5570 Timberlea Blvd.
Mississauga, Ontario
Canada L4W-4M6
Tel: 905-629-7777
FAX: 905-629-7785

Cascade GmbH
D-41199 Monchengladbach
Klosterhofweg 52
Germany
Tel: 49-216-668230
FAX: 49-216-6682323

Cascade Finland
Albert Petreliuksenkatu 3
01370 Vantaa
Finland
Tel: 358-9-836-1925
FAX: 358-9-836-1935

**Cascade N.V.
European Headquarters**
P.O. Box 3009
1300 El Almere
Damsluisweg 56
1332 ED Almere
The Netherlands
Tel: 31-36-5492911
FAX: 31-36-5492964

**Cascade N.V.
Benelux Sales and Service**
P.O. Box 3009
1300 El Almere
Damsluisweg 56
1332 ED Almere
The Netherlands
Tel: 31-36-5492950
FAX: 31-36-5492974

Cascade (UK) Ltd.
15, Orgreave Crescent
Dore House Industrial Estate
Handsworth
Sheffield S13 9NQ
England
Tel: 742-697524
FAX: 742-695121

Cascade Scandinavia AB
Box 124
Hammarvägen 10
567 23 Vaggeryd
Sweden
Tel: 42-0-393-36950
FAX: 46-0-393-36959

Cascade Norway
Østerliveien 37A
1153 Oslo
Norway
Tel: 47-22-743160
FAX: 47-22-743157

Cascade France S.A.R.L.
1D Rue De Charaintru
BP 18, 91360 Epinay-Sur-Orge
Morangis Cedex, France
Tel: 33-1- 64547500
FAX: 33-1-64547501

Cascade Hispania S.A.
Carrer 5 Sector C
Zona Franca Duanera
Poligono de la Zon Franca
08040 Barcelona, Spain
Office No. 256
Tel: 93-264-07-30
FAX: 93-264-07-31

Cascade Japan Ltd.
5-5-41,
Torikai Kami
Settsu, Osaka
Japan, 566
Tel: 81-726-53-3490
FAX: 81-726-53-3497

Cascade Korea
108B, Namdong Ind Complex
658-3 Gojan-Dong
Namdong-Gu
Inchon, 405-310 Korea
Tel: 82-32-821-2051
FAX: 82-32-821-2055

Cascade Australia
1445 Ipswich Road
Rocklea, QLD 4106
Australia
Tel: 1-800227-223
FAX: (07) 3373-7333

Cascade New Zealand
15 Ra Ora Drive
East Tamaki, Auckland
New Zealand
Tel: 9-273-9136
FAX: 9-273-9137

Cascade (Africa) Pty. Ltd.
P.O. Box 625, Isando 1600
60A Steel Road
Sparton, Kempton Park
South Africa
Tel: 27-11-975-9240
FAX: 27-11-394-1147

Cascade-Xiamen
No. 668 Yangguang Rd.
Xinyang Industrial Zone
Haicang, Xiamen City
Fujian Province
P.R. China 361026
Tel: 86-592-651-2500
FAX: 86-592-651-2571

**Cascade (Singapore)
Trading Co.**
Four Seasons Park
Autumn Block - Apt. 1802
12 Cuscaden Walk
Singapore
Tel: 65-834-1935
FAX: 65-834-1936

