



Parts Manual

Model 25D Carton Clamp

Serial Number 25D-CCD-132

cascade[®]
corporation

For Technical Assistance call: 800-227-2233, Fax: 888-329-8207

To Order Parts call: 888-227-2233, Fax: 888-329-0234

OR

Write: Cascade Corporation, P.O. Box 20187, Portland, OR 97220

Internet: www.cascorp.com

Safety Decals



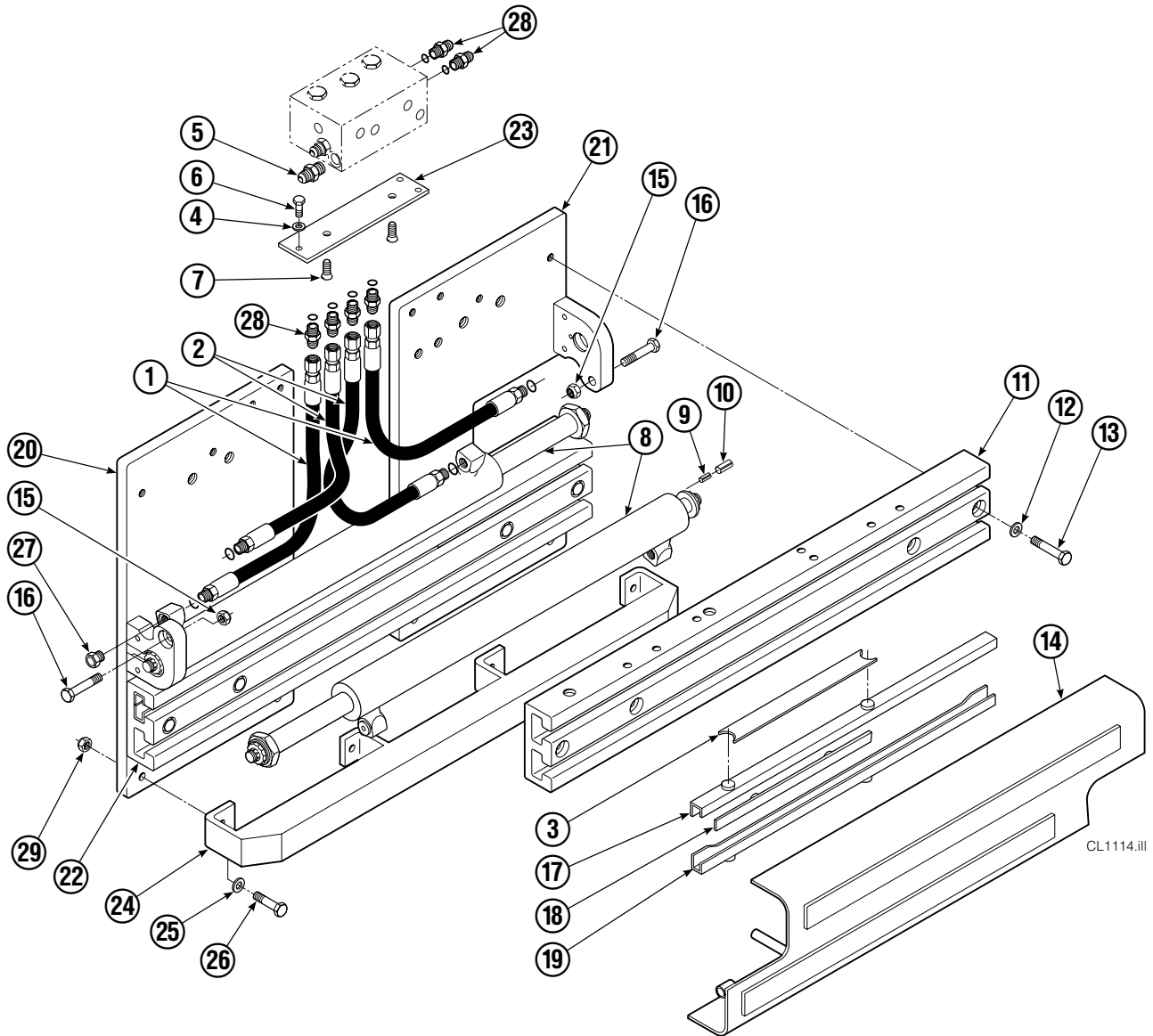
REF	QTY	PART NO.	DESCRIPTION
1	1	679150	No Step Decal
2	2	665595	No Hand Hold Decal
3	1	679059	Quick Change Hook Decal

Publications



PART NO.	DESCRIPTION
670487	Service Manual
670834	Operators Guide
670488	Installation Instructions
680664	Servicing Cascade Cylinders-VHS
679929	Tool Catalog
673964	Literature Index Order Form

Base Unit Group



CL1114.iii

25D

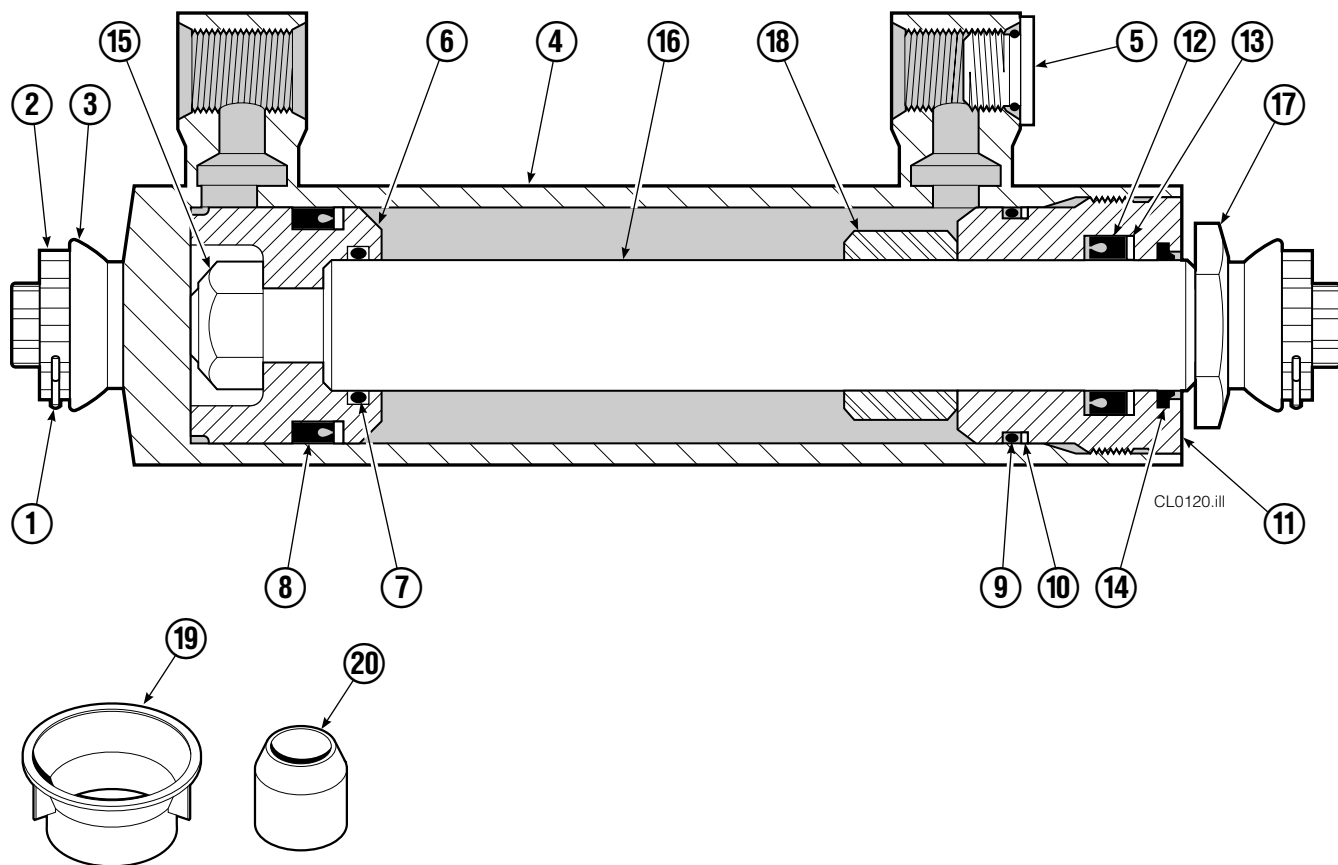
REF	QTY	PART NO.	DESCRIPTION	REF	QTY	PART NO.	DESCRIPTION
1	2	382357	Hose, 28.25 in.	16	2	768414	Capscrew, M12x65
2	2	210441	Hose, 21.25 in.	17	4	208858	Bearing
3	1	675326	Shim Kit ■	18	4	667663	Bearing
4	2	209021	Washer, M10	19	4	208857	Bearing
5	1	601377	Fitting, 8-8	20	1	3009048	Mounting Plate - RH
6	2	684594	Capscrew, M10x20	21	1	3009047	Mounting Plate - LH
7	2	766646	Capscrew, M10x20	22	1	3010752	Frame - Lower
8	2	386989	Cylinder ▲	23	1	669957	Plate
9	2	768953	Roll Pin - Inner	24	1	671545	Bumper - Lower
10	2	769009	Roll Pin - Outer	25	4	683001	Washer
11	1	3010751	Frame - Upper	26	4	768556	Capscrew, M12x45
12	8	202251	Washer	27	2	602580	Fitting, 8
13	8	684659	Capscrew, M12x75	28	6	611288	Fitting, 6-8
14	1	326795	Bumper	29	4	688387	Nut
15	2	763025	Nut, M12				

■ Includes two .015 Shims, and eight .020 Shims.

▲ See Cylinder page or parts breakdown.

Reference: Base Unit 3016165.

Cylinder



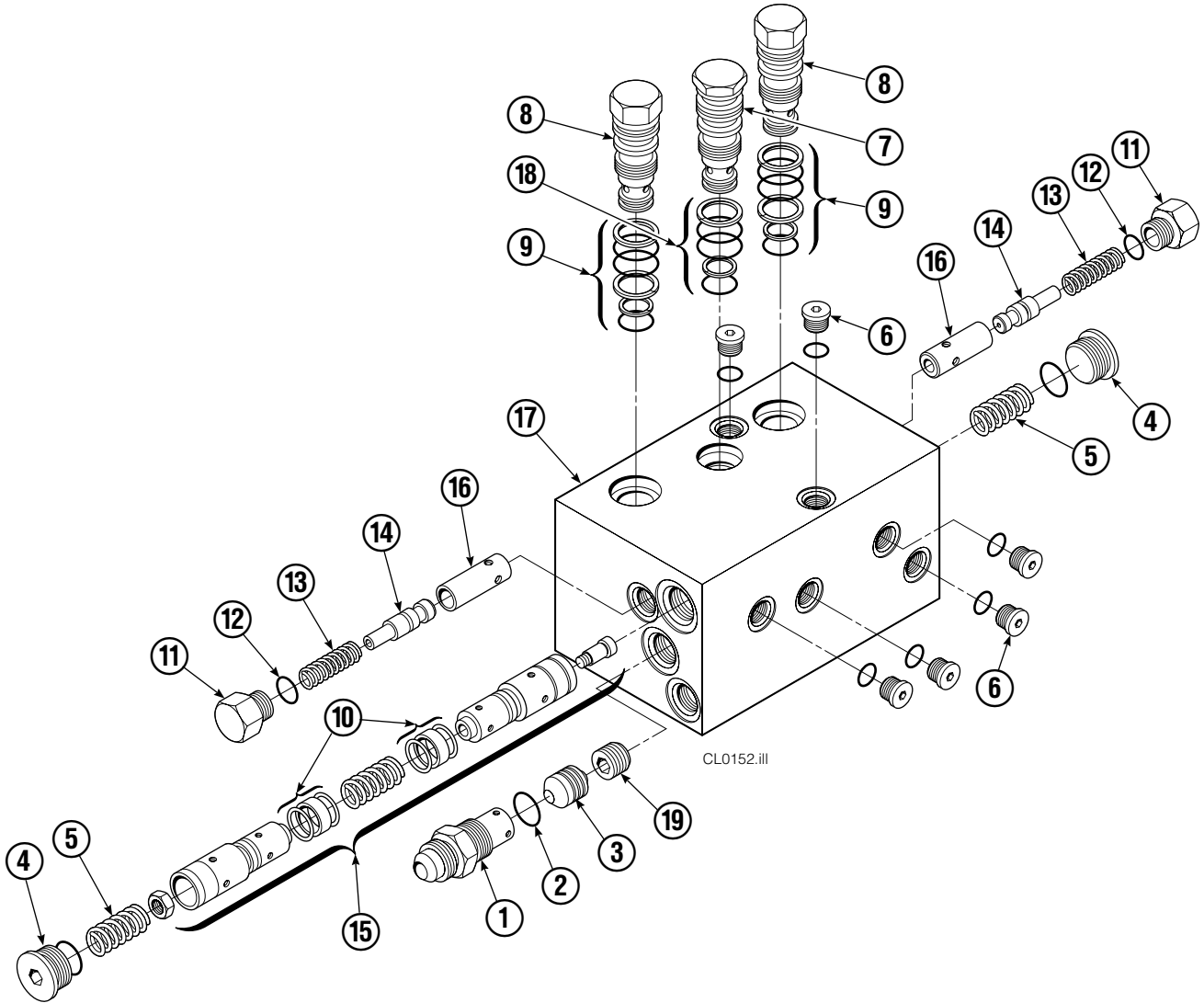
25D			
REF	QTY	PART NO.	DESCRIPTION
		377858	Cylinder Assembly
1	2	6510	■ Cotter Pin
2	2	667624	■ Nut Retainer
3	2	667625	■ Nut
4	1	564568	Shell
5	1	602580	Fitting
6	1	558200	Piston
7	1	2716	▲ O-Ring
8	1	662452	▲ Seal
9	1	2785	▲ O-Ring
10	1	615128	▲ Back-Up Ring
11	1	563906	Retainer
12	1	662448	▲ Seal
13	1	638243	▲ Nylon Ring
14	1	636853	▲ Wiper
15	1	667623	Nut
16	1	564569	Rod
17	1	667626	Washer
18	1	—	Spacer
	1	671047	▲ Seal Loader, Piston
	1	671051	▲ Seal Loader, Retainer
		668021	Service Kit

▲ Included in Service Kit 668021.

■ Included in Nut Service Kit 668926.

Reference: S-7605, S-7658

Check Valve



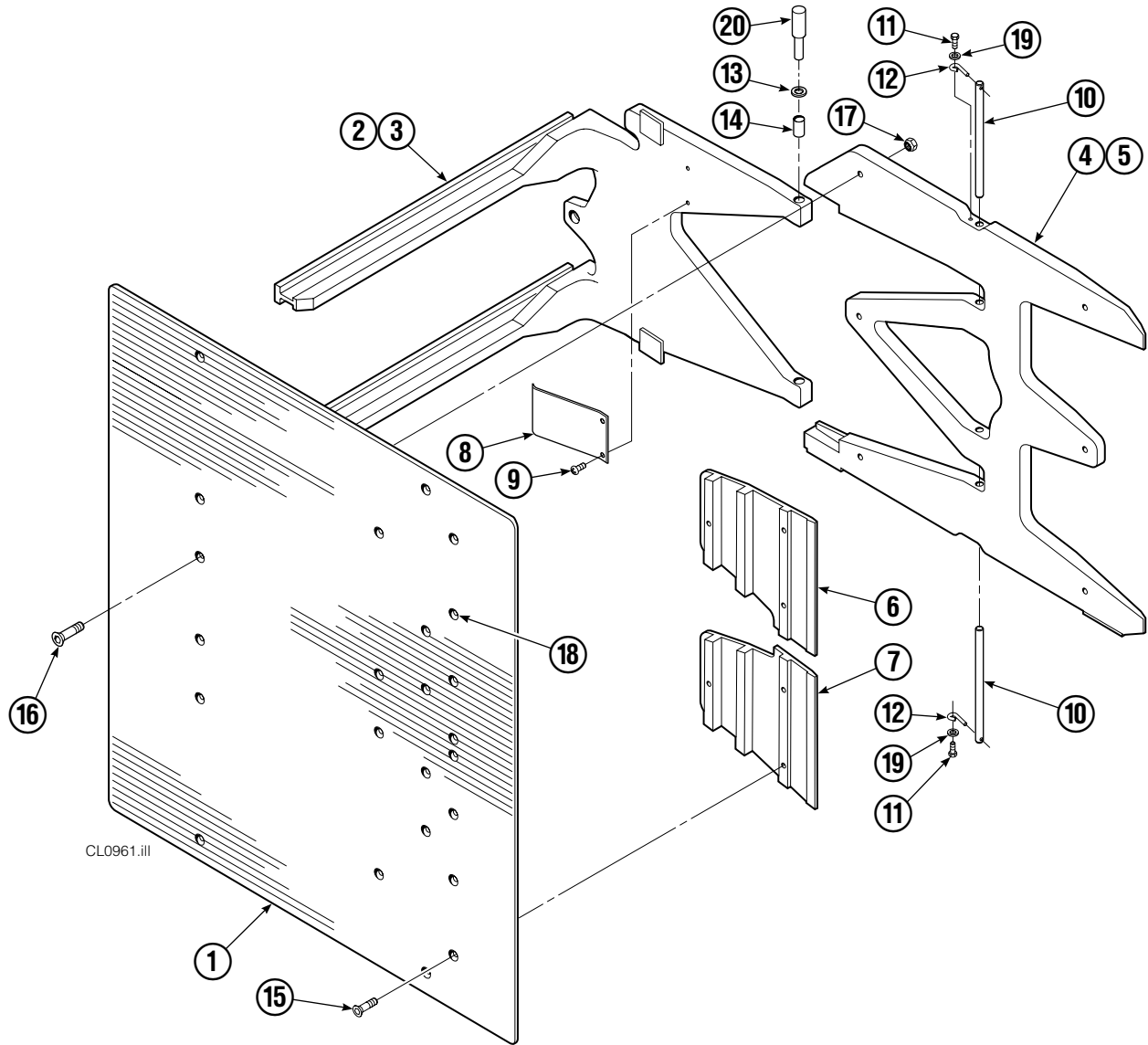
REF	QTY	PART NO.	DESCRIPTION	REF	QTY	PART NO.	DESCRIPTION
		669762	Check Valve – Flow Divider	11	2	667494	Fitting
1	1	667490	Special Fitting	12	2	2840	O-Ring ●
2	1	2841	O-Ring ●	13	2	673098	Spring
3	1	667471	Spool	14	2	667492	Poppet
4	2	609453	Fitting, 10	15	1	673089	Spool Assembly
5	2	667487	Spring	16	2	667491	Sleeve
6	6	604510	Fitting, 6	17	1	669763	Valve Body
7	1	678270	Check Valve – VPO	18	1	661347	Service Kit ●
8	2	659058	Check Valve – PO	19	1	676343	Regeneration Elimination Plug ■
9	2	667516	Service Kit ●			667513	Service Kit
10	1	679846	Low Flow Spool Kit				

● Included in Service Kit 667513.

■ For eliminating regeneration circuit only. See Tech. Bulletin 121.

Reference: SK-5302.

Arms and Pads



25D							
REF	QTY	PART NO.	DESCRIPTION	REF	QTY	PART NO.	DESCRIPTION
1	2	397317	Contact Pad	10	4	210161	Pin
2	1	3012144	Arm – LH	11	4	787372	Capscrew, M8 x 20
3	1	3012145	Arm – RH	12	4	682999	Eye Pin
4	1	393839	Stabilizer – LH	13	8	675620	Washer, M10
5	1	393856	Stabilizer – RH	14	8	200590	Bushing
6	2	210180	Filler Block – LH Upper/RH Lower	15	12	766646	Capscrew, M10 x 20
7	2	210179	Filler Block – RH Lower/RH Upper	16	12	768706	Capscrew, M12 x 35
8	2	210154	Spring	17	12	773842	Nut, M12
9	4	203405	Capscrew, M10 x 16	18	▲	676841	Contact Pad Repair Kit
10	4	210161	Pin	19	4	787398	Washer, M8
11	4	787372	Capscrew, M8 x 20	20	1	675626	Tool – Bushing Driver

Reference: 210495, SK-6390, Stabilizer Group 393822.

▲ Repairs one hole.

Quick-Change Mounting Group



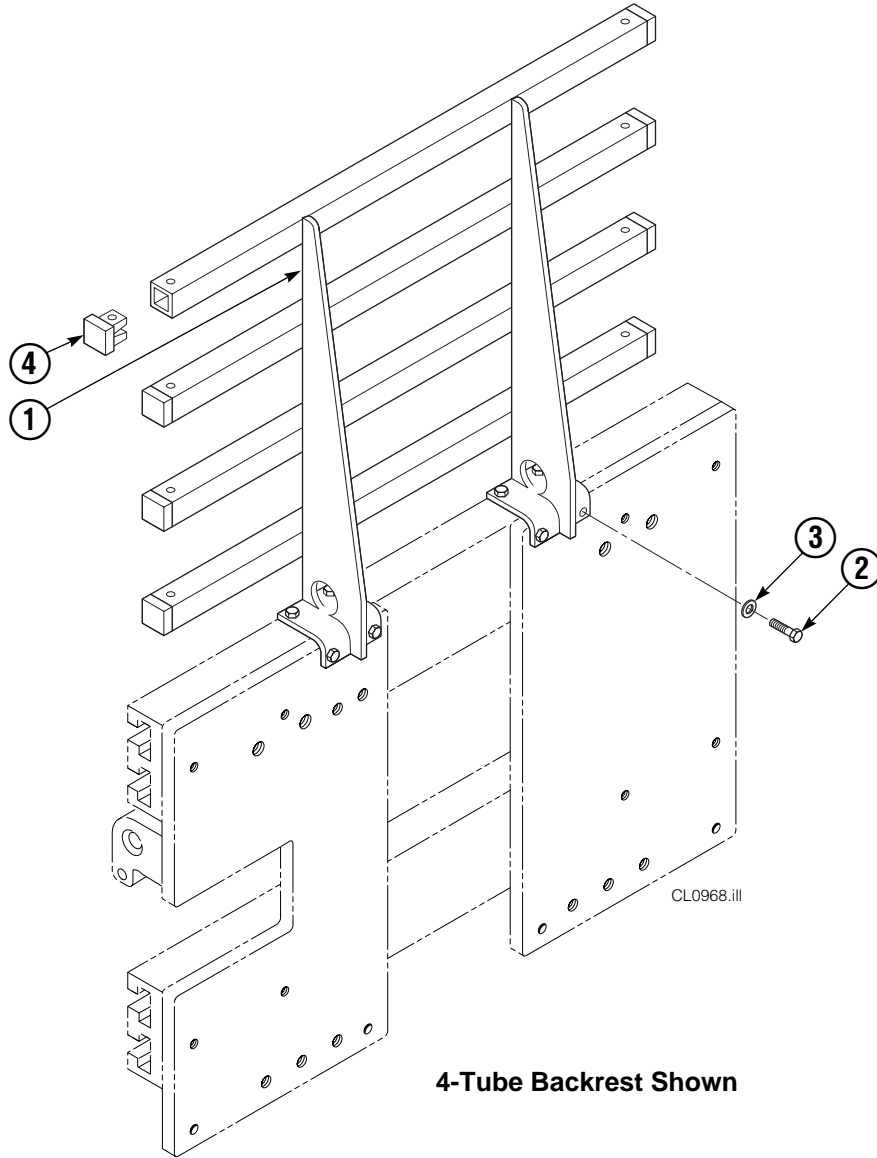
REF	QTY	ITA II	DESCRIPTION
		PART NO.	
		211162	Upper Mounting Group ▲
		211174	Lower Mounting Group ●
1	2	210491	Upper Hook
2	4	768577	Capscrew, M20 x 35
3	1	212999	Center Key
4	2	211129	Capscrew, M16 x 35
5	2	675514	Lower Hook
6	2	675515	Guide
7	2	678832	Pin
8	4	211180	Capscrew, M16 x 30

▲ Includes items 1–4.

● Includes items 5–8.

Reference: SK-6390.

Backrest Group



25D			
REF	QTY	PART NO.	DESCRIPTION
		221577	Backrest Group
1	1	669897	Backrest
2	8	768810	Capscrew, M10x30
3	8	667910	Washer, M10
4	8	674356	Tube End

Reference: SK-6390.

Do you have questions you need answered right now? Call your nearest Cascade Parts Department. Visit us online at www.cascorp.com

Cascade Corporation
2501 Sheridan Avenue
Springfield, OH 45505
Tel: 888-CASCADE (227-2233)
FAX: 888-329-0234

Cascade Canada Inc.
5570 Timberlea Blvd.
Mississauga, Ontario
Canada L4W-4M6
Tel: 905-629-7777
FAX: 905-629-7785

Cascade GmbH
D-41199 Monchengladbach
Klosterhofweg 52
Germany
Tel: 49-216-668230
FAX: 49-216-6682323

Cascade Finland
Albert Petreliuksenkatu 3
01370 Vantaa
Finland
Tel: 358-9-836-1925
FAX: 358-9-836-1935

**Cascade N.V.
European Headquarters**
P.O. Box 3009
1300 El Almere
Damsluisweg 56
1332 ED Almere
The Netherlands
Tel: 31-36-5492911
FAX: 31-36-5492964

**Cascade N.V.
Benelux Sales and Service**
P.O. Box 3009
1300 El Almere
Damsluisweg 56
1332 ED Almere
The Netherlands
Tel: 31-36-5492950
FAX: 31-36-5492974

Cascade (UK) Ltd.
15, Orgreave Crescent
Dore House Industrial Estate
Handsworth
Sheffield S13 9NQ
England
Tel: 742-697524
FAX: 742-695121

Cascade Scandinavia AB
Box 124
Hammarvägen 10
567 23 Vaggeryd
Sweden
Tel: 42-0-393-36950
FAX: 46-0-393-36959

Cascade Norway
Østerliveien 37A
1153 Oslo
Norway
Tel: 47-22-743160
FAX: 47-22-743157

Cascade France S.A.R.L.
1D Rue De Charaintru
BP 18, 91360 Epinay-Sur-Orge
Morangis Cedex, France
Tel: 33-1- 64547500
FAX: 33-1-64547501

Cascade Hispania S.A.
Carrer 5 Sector C
Zona Franca Duanera
Poligono de la Zon Franca
08040 Barcelona, Spain
Office No. 256
Tel: 93-264-07-30
FAX: 93-264-07-31

Cascade Japan Ltd.
5-5-41,
Torikai Kami
Settsu, Osaka
Japan, 566
Tel: 81-726-53-3490
FAX: 81-726-53-3497

Cascade Korea
108B, Namdong Ind Complex
658-3 Gojan-Dong
Namdong-Gu
Inchon, 405-310 Korea
Tel: 82-32-821-2051
FAX: 82-32-821-2055

Cascade Australia
1445 Ipswich Road
Rocklea, QLD 4106
Australia
Tel: 1-800227-223
FAX: (07) 3373-7333

Cascade New Zealand
15 Ra Ora Drive
East Tamaki, Auckland
New Zealand
Tel: 9-273-9136
FAX: 9-273-9137

Cascade (Africa) Pty. Ltd.
P.O. Box 625, Isando 1600
60A Steel Road
Sparton, Kempton Park
South Africa
Tel: 27-11-975-9240
FAX: 27-11-394-1147

Cascade-Xiamen
No. 668 Yangguang Rd.
Xinyang Industrial Zone
Haicang, Xiamen City
Fujian Province
P.R. China 361026
Tel: 86-592-651-2500
FAX: 86-592-651-2571

**Cascade (Singapore)
Trading Co.**
Four Seasons Park
Autumn Block - Apt. 1802
12 Cuscaden Walk
Singapore
Tel: 65-834-1935
FAX: 65-834-1936

