



# Parts Manual

---

Model \_\_\_\_\_ **Fork Positioner**

Serial Number \_\_\_\_\_ **55F-FPS-498**

---

**cascade**<sup>®</sup>  
**corporation**

**For Technical Assistance call:** 800-227-2233, Fax: 888-329-8207

**To Order Parts call:** 888-227-2233, Fax: 888-329-0234

**OR**

**Write:** Cascade Corporation, P.O. Box 20187, Portland, OR 97220

**Internet:** [www.cascorp.com](http://www.cascorp.com)

# Publications

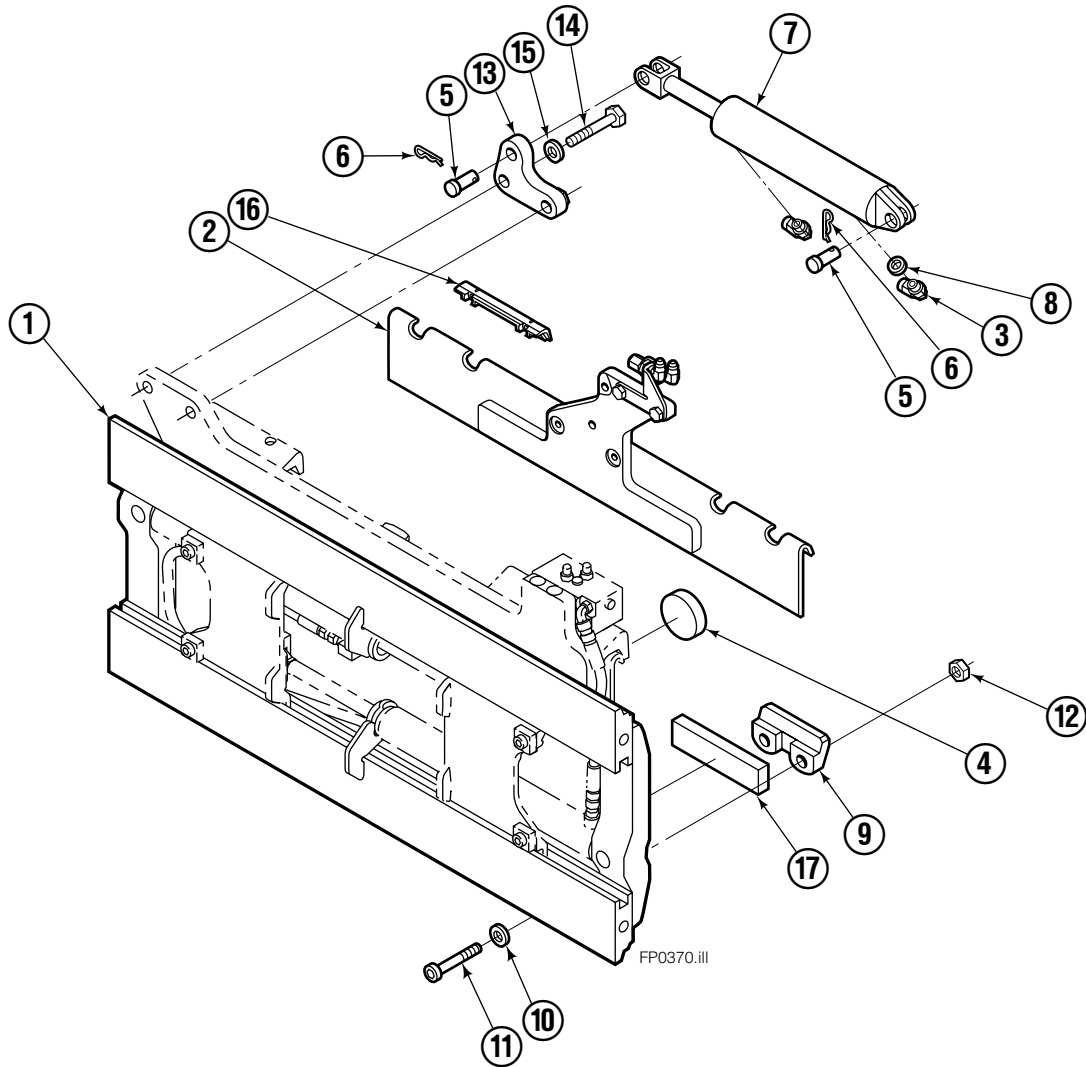


55F	
PART NO.	DESCRIPTION
	Parts Manual
208743	Service Manual
688261	Operators Guide
207363	Installation Instructions
680664	Servicing Cascade Cylinders-VHS
679929	Tool Catalog
673964	Literature Index Order Form

# Safety Decals



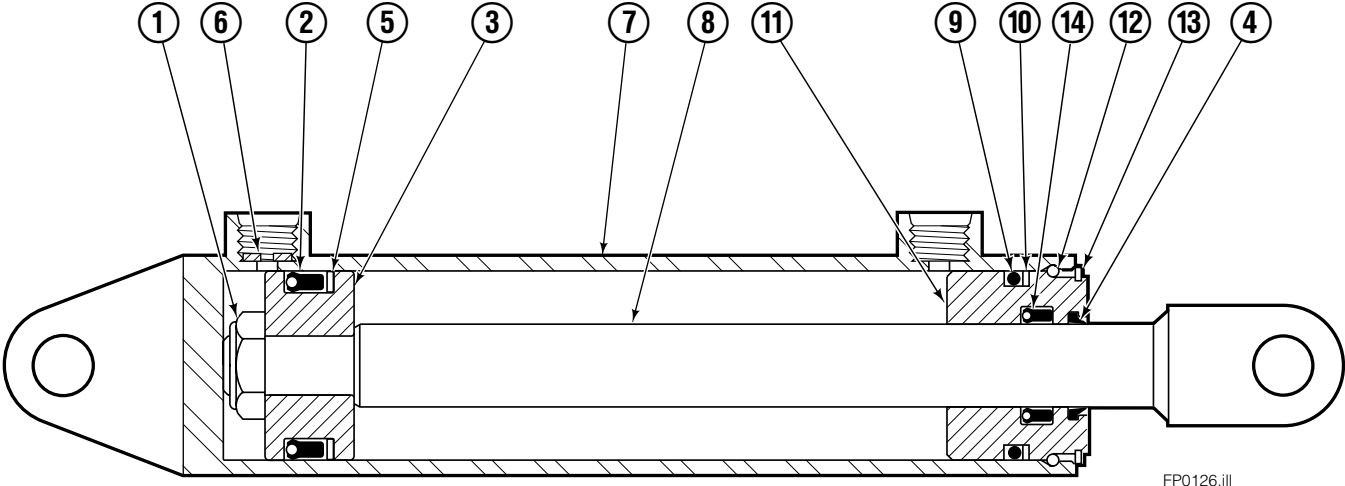
# Mounting Group Sideshifting



55F							
REF	QTY	PART NO.	DESCRIPTION	REF	QTY	PART NO.	DESCRIPTION
		207328	Sideshifting Mounting – 53 in. ■●	9	2	204186	Lower Hook
1	1	3018756	Frame – 53 in. ■	10	4	667225	Washer
2	1	207186	Anchor Bracket – 53 in. ■	11	4	752903	Capscrew, M16 x 45
3	2	601676	Fitting, 6-6	12	4	678990	Nut
4	–	—	Center Bearing	13	1	206909	Lug
5	2	206926	Clevis Pin	14	2	763024	Capscrew, M16 x 30
6	2	672726	Cotter Pin	15	2	209740	Lockwasher
7	1	675548	Cylinder ◆	16	2	204187	Upper Bearing
8	1	675550	Restrictor Washer (orifice .085)	17	2	207209	Lower Bearing

- Carriage width.
  - Includes items 2 through 17.
  - ◆ See Cylinder page for parts breakdown.
- Reference: S-3972, S-3988.

# Sideshift Cylinder

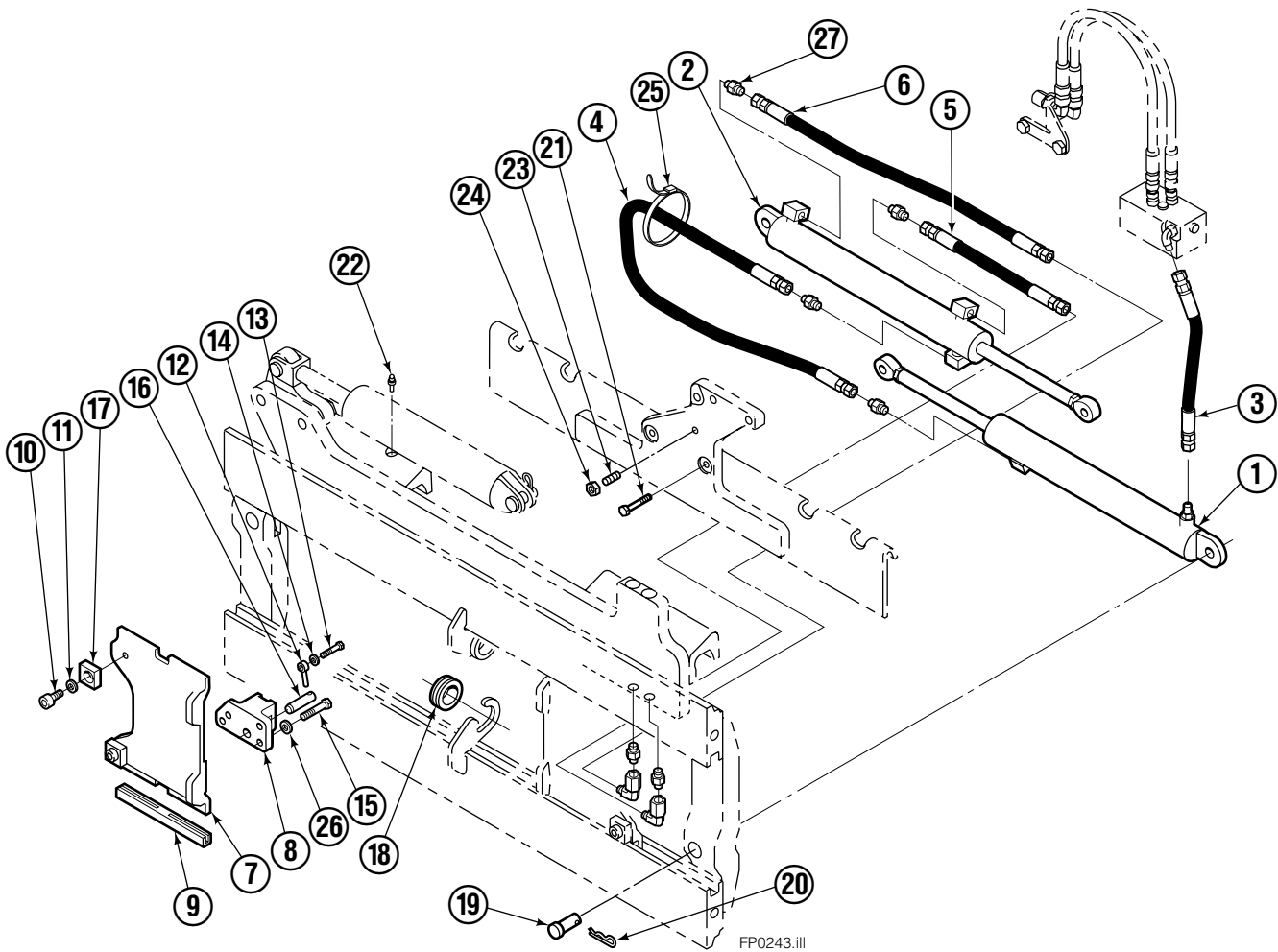


FP0126.ill

45E			
REF	QTY	PART NO.	DESCRIPTION
		675548	Cylinder Assembly
1	1	553857	Nut
2	1	662452	■ Seal
3	1	553501	Piston
4	1	636851	■ Wiper
5	1	638247	■ Back-up Ring
6	1	675550	Washer (orifice .085 in.)
7	1	675549	Shell
8	1	553449	Rod
9	1	2785	■ O-Ring
10	1	615128	■ Back-up Ring
11	1	553500	Retainer
12	1	553856	Retaining Ring
13	1	7202	Snap Ring
14	1	641835	■ Seal
		553861	Service Kit

■ Included in Service Kit 553861.

# Hydraulic/Fork Group



## 55F

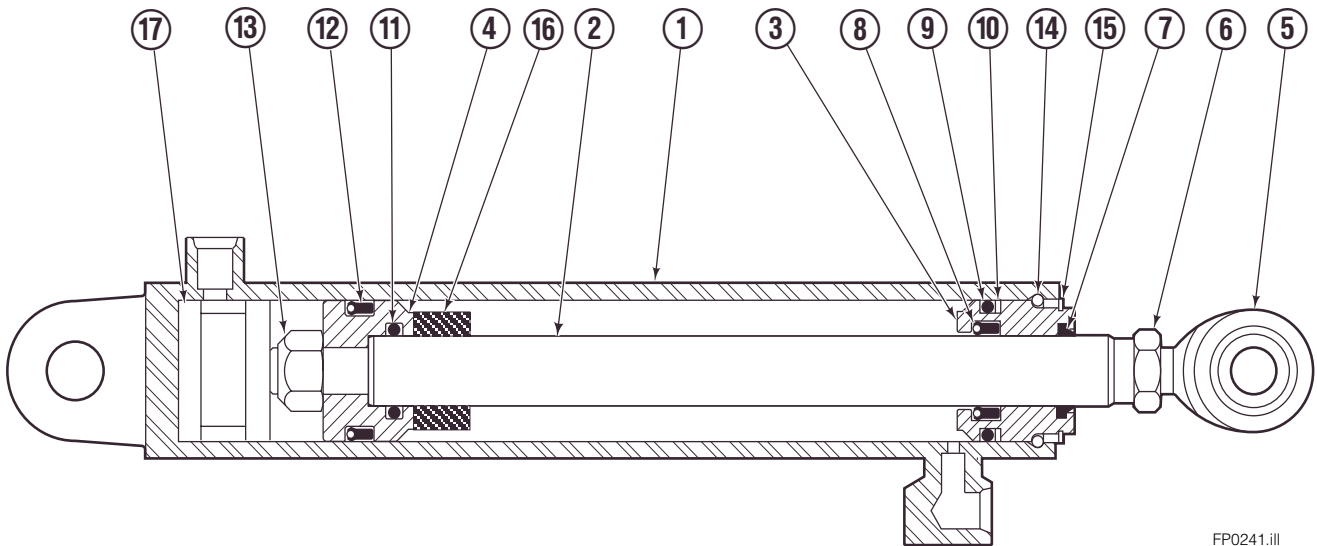
REF	QTY	PART NO.	DESCRIPTION	REF	QTY	PART NO.	DESCRIPTION
		3018759	● Hydraulic Group	14	2	209737	Lockwasher, M6
		206912	□ Fork Group	15	8	767961	Capscrew, M8 x 16
1	1	3018748	◆ Cylinder Assembly – LH	16	2	206925	Pin
2	1	3018757	▼ Cylinder Assembly – RH	17	4	207552	Block
3	1	207298	Hose – 17.3 in.	18	2	206916	Grommet
4	1	383891	Hose – 52.0 in.	19	2	206926	Clevis Pin
5	1	207565	Hose – 13.6 in.	20	2	207210	Hairpin Cotter
6	1	222428	Hose – 32.0 in.	21	2	768551	Capscrew
7	2	207208	Fork Carrier	22	2	7403	Grease Fitting
8	2	206914	Lug	23	1	768753	Setscrew
9	4	206915	Bearing	24	1	207211	Jam Nut
10	4	206922	Capscrew, M12 x 16	25	1	200008	Cable Tie
11	4	678991	Lockwasher, M12	26	8	209738	Lockwasher, M8
12	2	206923	Eyebolt	27	6	617915	Fitting, 4-4
13	2	763169	Capscrew, M6 x 20				

◆ See LH Cylinder page for parts breakdown.  
▼ See RH Cylinder page for parts breakdown.

● Includes items 1 through 6.  
□ Includes items 7 through 26.

Reference: BC-101, S-5981, S-3990.

# Left Hand Cylinder



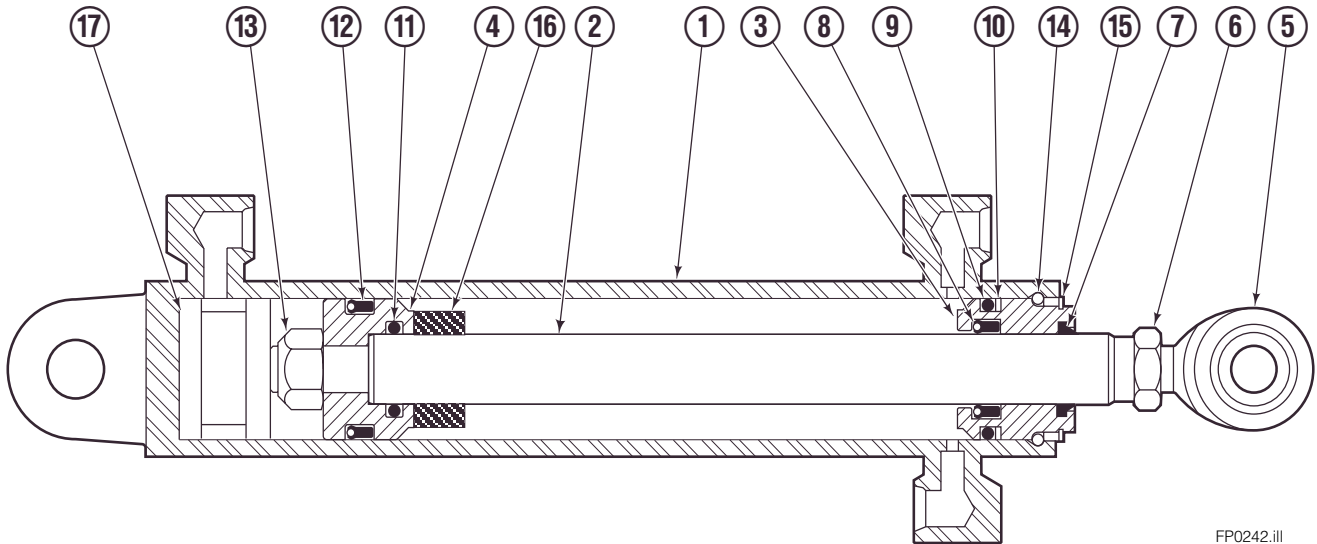
FP0241.ill

<b>55F</b>			
REF	QTY	PART NO.	DESCRIPTION
		3018748	Cylinder Assembly
1	1	3018749	Shell
2	1	3018750	Rod
3	1	685664	Retainer
4	1	685665	Piston
5	1	564193	Rod End
6	1	5718	Nut
7	1	636850	● Rod Wiper
8	1	646540	● Rod Seal
9	1	2718	● O-Ring
10	1	615122	● Back-up Ring
11	1	2710	● O-Ring
12	1	663728	● Piston Seal
13	1	563462	Piston Nut
14	1	563916	Retaining Ring
15	1	3137	Snap Ring
16	1	—	Spacer
17	1	—	Spacer
		684827	Service Kit

● Included in Service Kit 684827.

Reference: S-6140, S-6141.

# Right Hand Cylinder



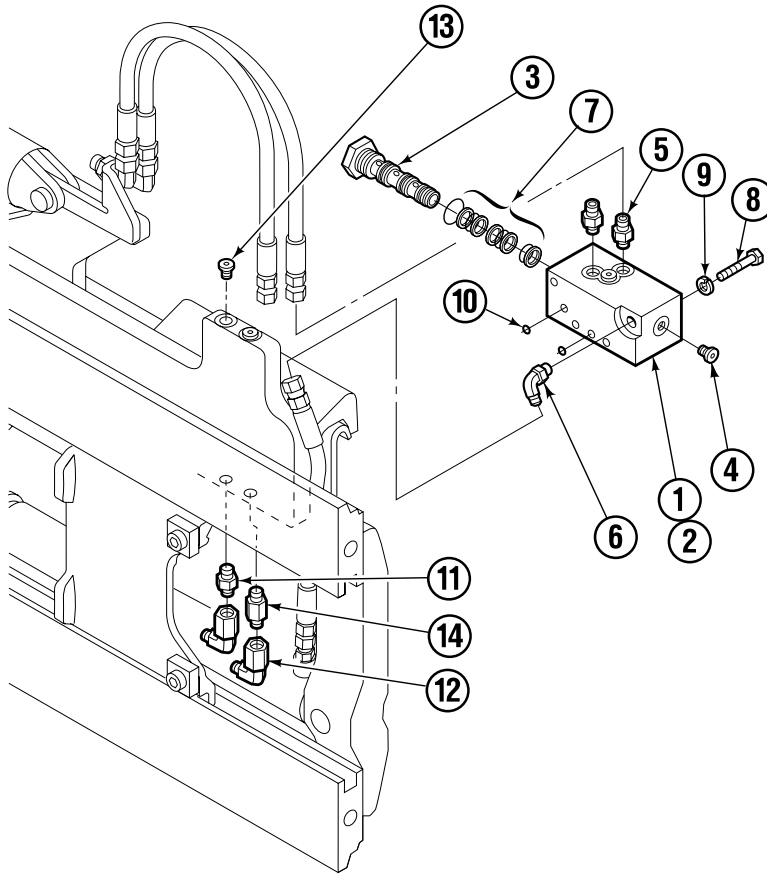
FP0242.ill

<b>55F</b>			
REF	QTY	PART NO.	DESCRIPTION
		3018757	Cylinder Assembly
1	1	3018752	Shell
2	1	3018750	Rod
3	1	685664	Retainer
4	1	685665	Piston
5	1	564193	Rod End
6	1	5718	Nut
7	1	636850	● Rod Wiper
8	1	646540	● Rod Seal
9	1	2718	● O-Ring
10	1	615122	● Back-up Ring
11	1	2710	● O-Ring
12	1	663728	● Piston Seal
13	1	563462	Piston Nut
14	1	563916	Retaining Ring
15	1	3137	Snap Ring
16	1	—	Spacer
17	1	—	Spacer
		684827	Service Kit

● Included in Service Kit 684827.

Reference: S-6138, S-6139.

# Flow Divider Group

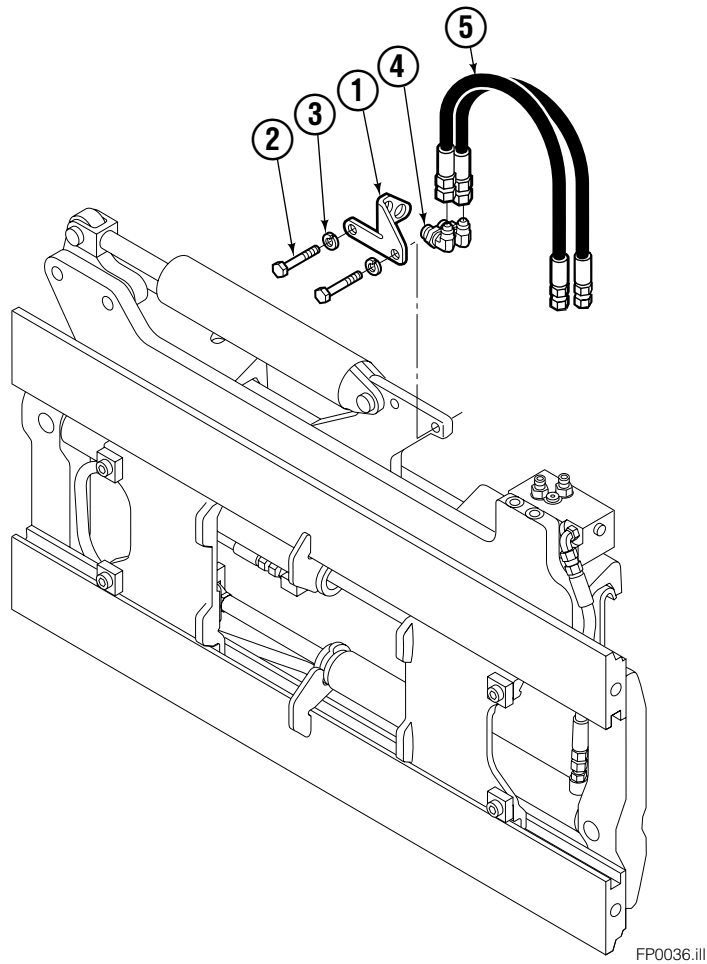


FP0035.iii

<b>55F</b>			
REF	QTY	PART NO.	DESCRIPTION
		206921	Flow Divider Group
1	1	206919	Valve ■
2	1	206918	Valve Body
3	1	207301	Cartridge-Combiner
4	2	663694	Fitting, 3
5	2	617915	Fitting, 4-4
6	1	617917	Fitting, 4-4
7	1	679992	Service Kit
8	3	685105	Capscrew
9	3	678993	Lockwasher
10	2	207300	O-Ring
11	6	617915	Fitting, 4-4
12	2	617641	Fitting, 4-4
13	2	609234	Fitting, 4-4
14	1	617916	Fitting, 4-4

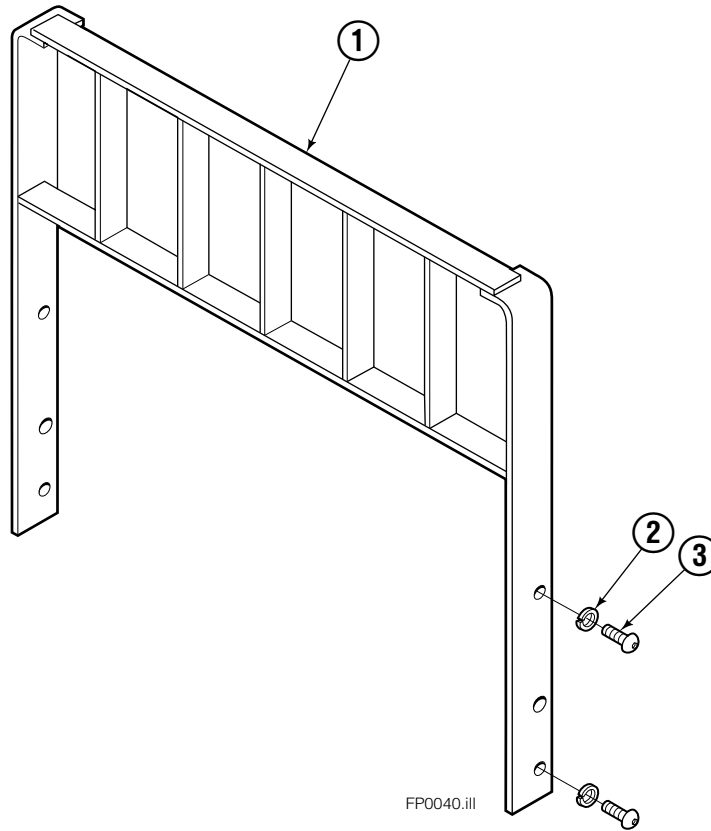
■ Includes items 1 through 7.

# Standard Installation Group



REF	QTY	PART NO.	DESCRIPTION
		207342	Installation Group
1	1	207314	Bracket
2	2	762899	Capscrew, M10X20-8.8
3	2	681238	Lockwasher
4	2	2453	Fitting, 8-8
5	2	207578	Hose

# Backrests



<b>55F</b>			
REF	QTY	PART NO.	DESCRIPTION
1	1	3018753	Backrest - 53" x 48" ■
2	4	684586	Lockwasher
3	4	200173	Capscrew

■ Width by Height.  
Ref: S-3979.



**Do you have questions you need answered right now?** Call your nearest Cascade Parts Department.

**Cascade Corporation**

2501 Sheridan Avenue  
Springfield, OH 45505  
Tel: 888-CASCADE (227-2233)  
FAX: 888-329-0234  
www.cascorp.com

**Cascade Canada Inc.**

5570 Timberlea Blvd.  
Mississauga, Ontario  
Canada L4W-4M6  
Tel: 905-629-7777  
FAX: 905-629-7785

**Cascade GmbH**

D-41199 Monchengladbach  
Klosterhofweg 52  
Germany  
Tel: 49-216-668230  
FAX: 49-216-6682323

**Cascade Finland**

Albert Petreliuksenkatu 3  
01370 Vantaa  
Finland  
Tel: 358-9-836-1925  
FAX: 358-9-836-1935

**Cascade N.V.  
European Headquarters**

P.O. Box 3009  
1300 El Almere  
Damluisweg 56  
1332 ED Almere  
The Netherlands  
Tel: 31-36-5492911  
FAX: 31-36-5492964

**Cascade N.V.  
Benelux Sales and Service**

P.O. Box 3009  
1300 El Almere  
Damluisweg 56  
1332 ED Almere  
The Netherlands  
Tel: 31-36-5492950  
FAX: 31-36-5492974

**Cascade (UK) Ltd.**

15, Orgreave Crescent  
Dore House Industrial Estate  
Handsworth  
Sheffield S13 9NQ  
England  
Tel: 742-697524  
FAX: 742-695121

**Cascade Scandinavia AB**

Box 124  
Hammarvägen 10  
567 23 Vaggeryd  
Sweden  
Tel: 42-0-393-36950  
FAX: 46-0-393-36959

**Cascade Norway**

Østerliveien 37A  
1153 Oslo  
Norway  
Tel: 47-22-743160  
FAX: 47-22-743157

**Cascade France S.A.R.L.**

1D Rue De Charaintru  
BP 18, 91360 Epinay-Sur-Orge  
Morangis Cedex, France  
Tel: 33-1- 64547500  
FAX: 33-1-64547501

**Cascade Hispania S.A.**

Carrer 5 Sector C  
Zona Franca Duanera  
Poligono de la Zon Franca  
08040 Barcelona, Spain  
Office No. 256  
Tel: 93-264-07-30  
FAX: 93-264-07-31

**Cascade Japan Ltd.**

5-5-41,  
Torikai Kami  
Settsu, Osaka  
Japan, 566  
Tel: 81-726-53-3490  
FAX: 81-726-53-3497

**Cascade Korea**

108B, Namdong Ind Complex  
658-3 Gojan-Dong  
Namdong-Gu  
Inchon, 405-310 Korea  
Tel: 82-32-821-2051  
FAX: 82-32-821-2055

**Cascade Australia**

1445 Ipswich Road  
Rocklea, QLD 4106  
Australia  
Tel: 1-800227-223  
FAX: (07) 3373-7333

**Cascade New Zealand**

15 Ra Ora Drive  
East Tamaki, Auckland  
New Zealand  
Tel: 9-273-9136  
FAX: 9-273-9137

**Cascade (Africa) Pty. Ltd.**

P.O. Box 625, Isando 1600  
60A Steel Road  
Sparton, Kempton Park  
South Africa  
Tel: 27-11-975-9240  
FAX: 27-11-394-1147

**Cascade-Xiamen**

No. 668 Yangguang Rd.  
Xinyang Industrial Zone  
Haicang, Xiamen City  
Fujian Province  
P.R. China 361026  
Tel: 86-592-651-2500  
FAX: 86-592-651-2571

**Cascade (Singapore)  
Trading Co.**

Four Seasons Park  
Autumn Block - Apt. 1802  
12 Cuscaden Walk  
Singapore  
Tel: 65-834-1935  
FAX: 65-834-1936

