



Parts Manual

Model 15D Carton Clamp

Serial Number SELP-32697 R2

cascade®
corporation

For Technical Assistance call: 800-227-2233, Fax: 888-329-8207

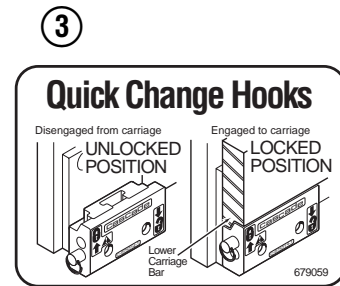
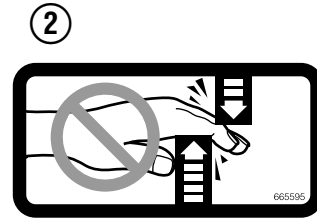
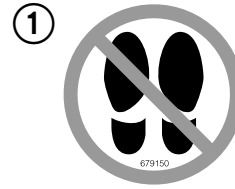
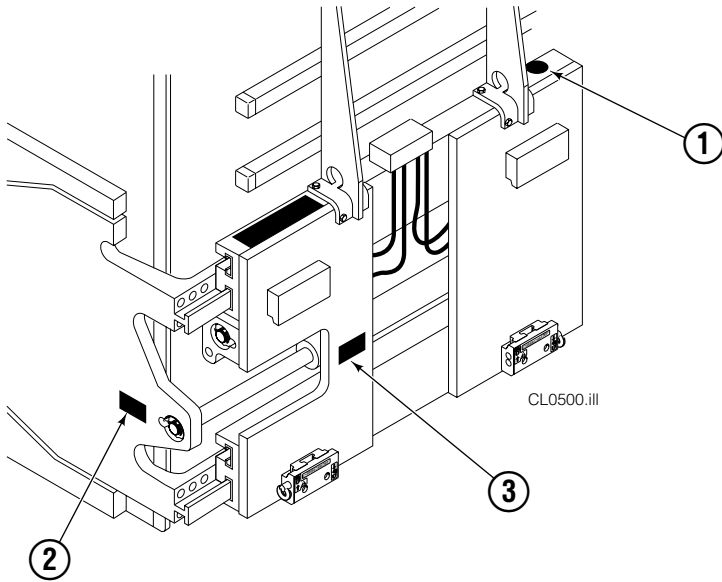
To Order Parts call: 888-227-2233, Fax: 888-329-0234

OR

Write: Cascade Corporation, P.O. Box 20187, Portland, OR 97220

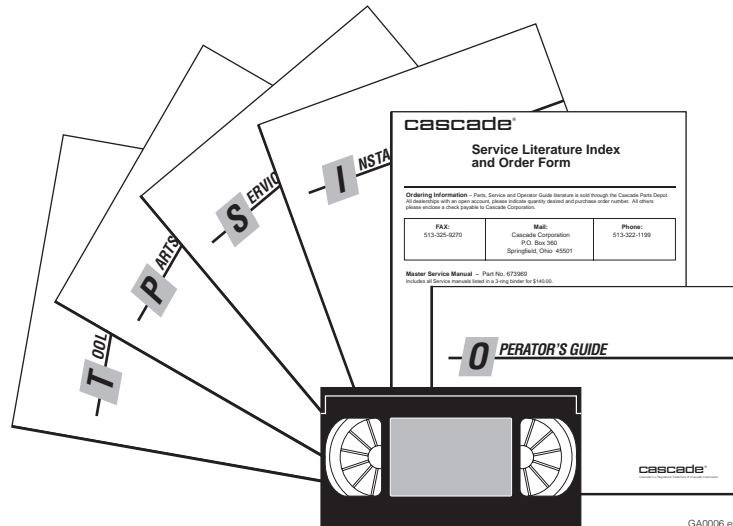
Internet: www.cascorp.com

Safety Decals



REF	QTY	PART NO.	DESCRIPTION
1	1	679150	No Step Decal
2	2	665595	No Hand Hold Decal
3	1	679059	Quick Change Hook Decal

Publications



GA0006.eps

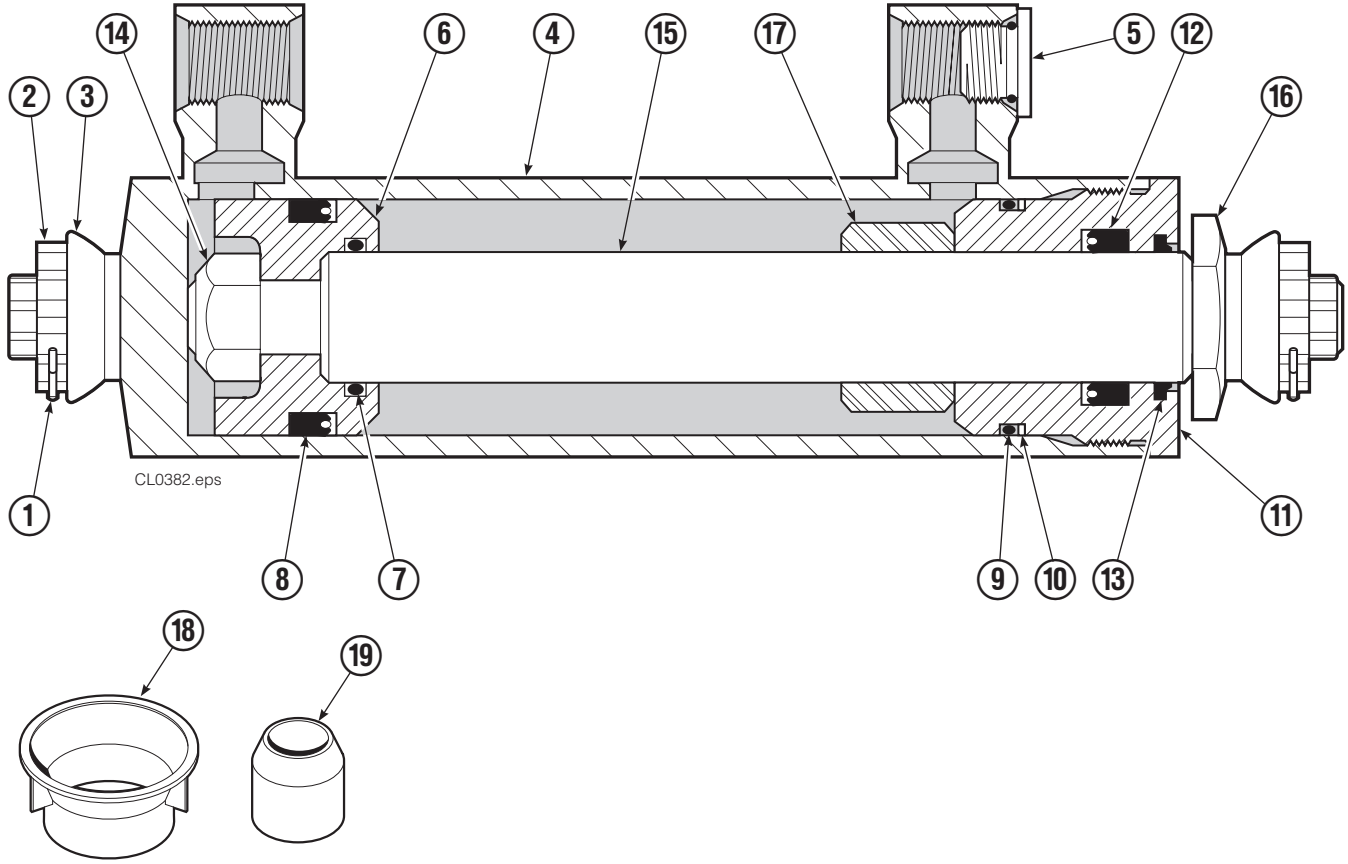
PART NO.	DESCRIPTION
670487	Service Manual
670834	Operators Guide
670488	Installation Instructions
680664	Servicing Cascade Cylinders-VHS
679929	Tool Catalog
673964	Literature Index Order Form

Base Unit Group

15D			
REF	QTY	PART NO.	DESCRIPTION
		6058293	Base Unit Group
1	2	676086	Hose, 29.20 in.
2	2	688695	Hose, 18.75 in.
3	●	675326	Shim Kit
4	4	773842	Nut, M12
5	1	601377	Fitting, 8-8
6	2	766646	Capscrew, M10 x 20
7	2	783608	Capscrew, M10 x 16
8	2	6026425	Cylinder ▲
9	2	768953	Roll Pin
10	2	769009	Roll Pin - Outer
11	1	3010751	Frame - Upper
12	12	667910	Washer, .50 in.
13	12	684659	Capscrew, M12 x 75
14	1	319458	Bumper
15	2	763025	Nut
16	2	768414	Capscrew, M12 x 65
17	4	208858	Bearing
18	4	667663	Bearing
19	4	208857	Bearing
20	1	6047981	Mounting Plate - RH
21	1	6047982	Mounting Plate - LH
22	1	3010752	Frame - Lower
23	1	6043983	Bracket
24	1	671545	Lower Bumper
25	4	6205	Washer, M12
26	4	202407	Capscrew, M12 x 60
27	2	602580	Fitting, 8
28	10	611288	Fitting, 6-8
29	2	209021	Washer, M10
30	2	6019053	Fitting, 8-6
31	4	6075309	Spacer
	1	6061983	Valve Assembly ◆

- Includes two .015 Shims and eight .020 Shims.
- ▲ See Cylinder page for parts breakdown.
- ◆ See Valve Assembly page for parts breakdown.

Cylinder Assembly



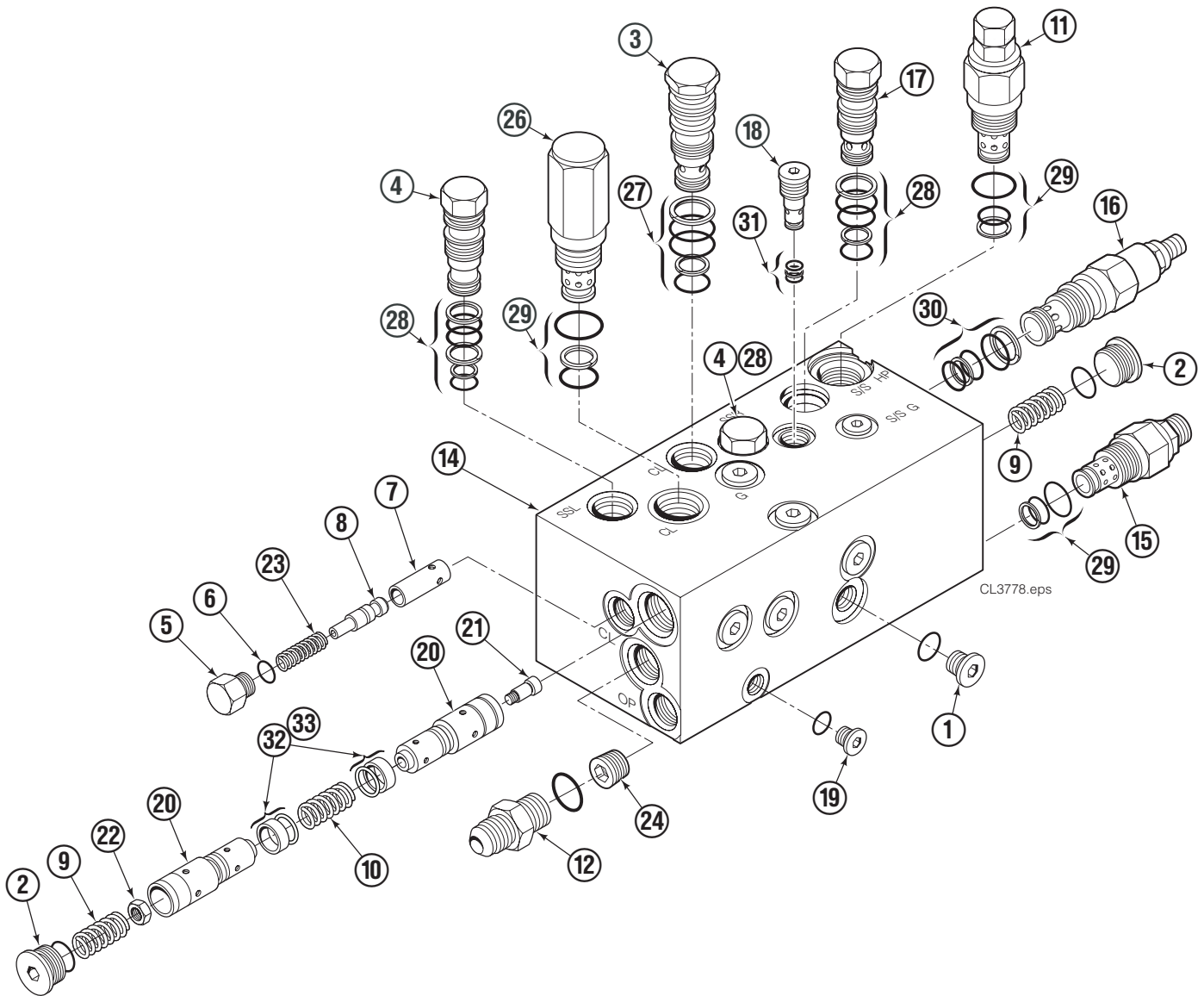
15D			
REF	QTY	PART NO.	DESCRIPTION
		6026425	Cylinder Assembly
1	2	6510	■ Cotter Pin
2	2	667624	■ Nut Retainer
3	2	667625	■ Nut
4	1	6026426	Shell
5	1	602580	Fitting
6	1	559702	Piston
7	1	2716	▲ O-Ring
8	1	662450	▲ Seal
9	1	2722	▲ O-Ring
10	1	615126	▲ Back-Up Ring
11	1	413799	Retainer
12	1	662448	▲ Seal
13	1	636853	▲ Wiper
14	1	667623	Nut
15	1	6026427	Rod
16	1	667626	Washer
17	1	—	Spacer
18	1	671047	▲ Seal Loader, Piston
19	1	671051	▲ Seal Loader, Retainer
		560729	Service Kit

■ Included in Nut Service Kit 668926.

▲ Included in Service Kit 560729.

Reference: ST-0283, ST-0284.

Valve Assembly



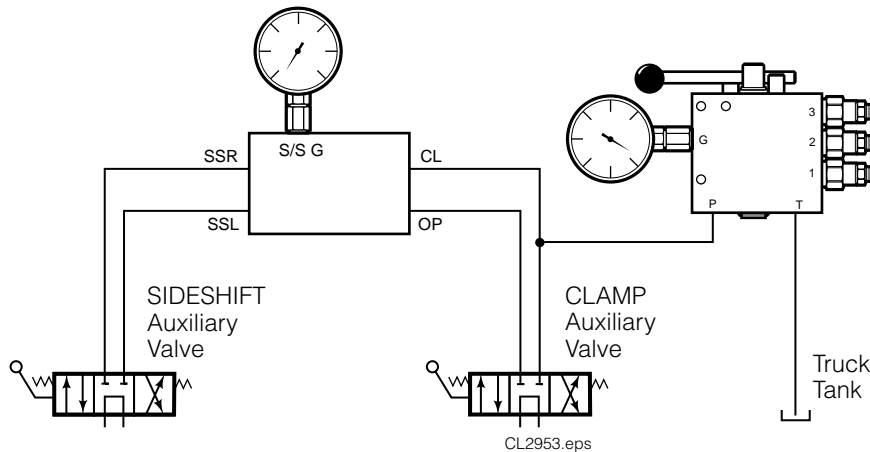
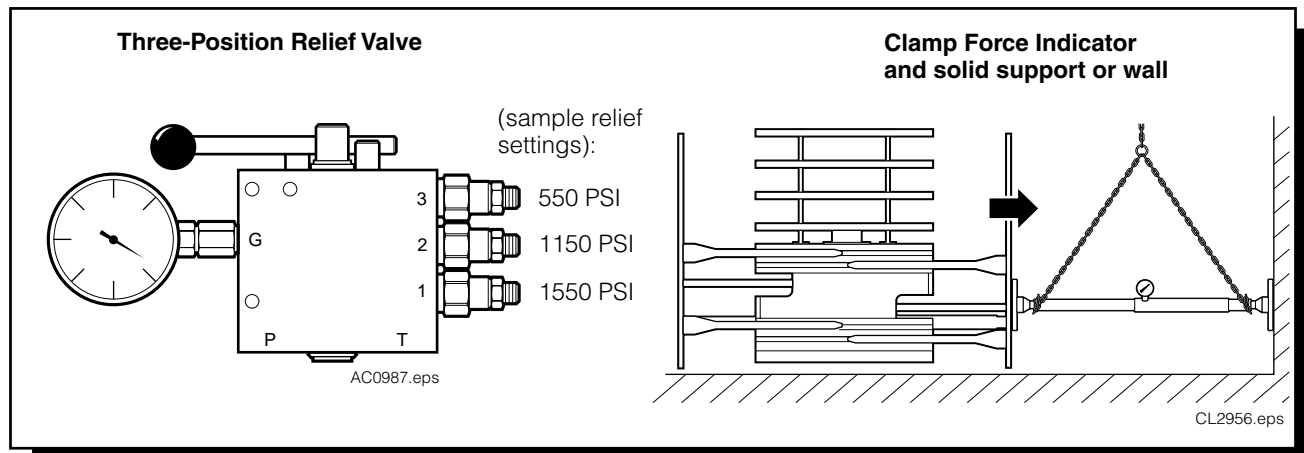
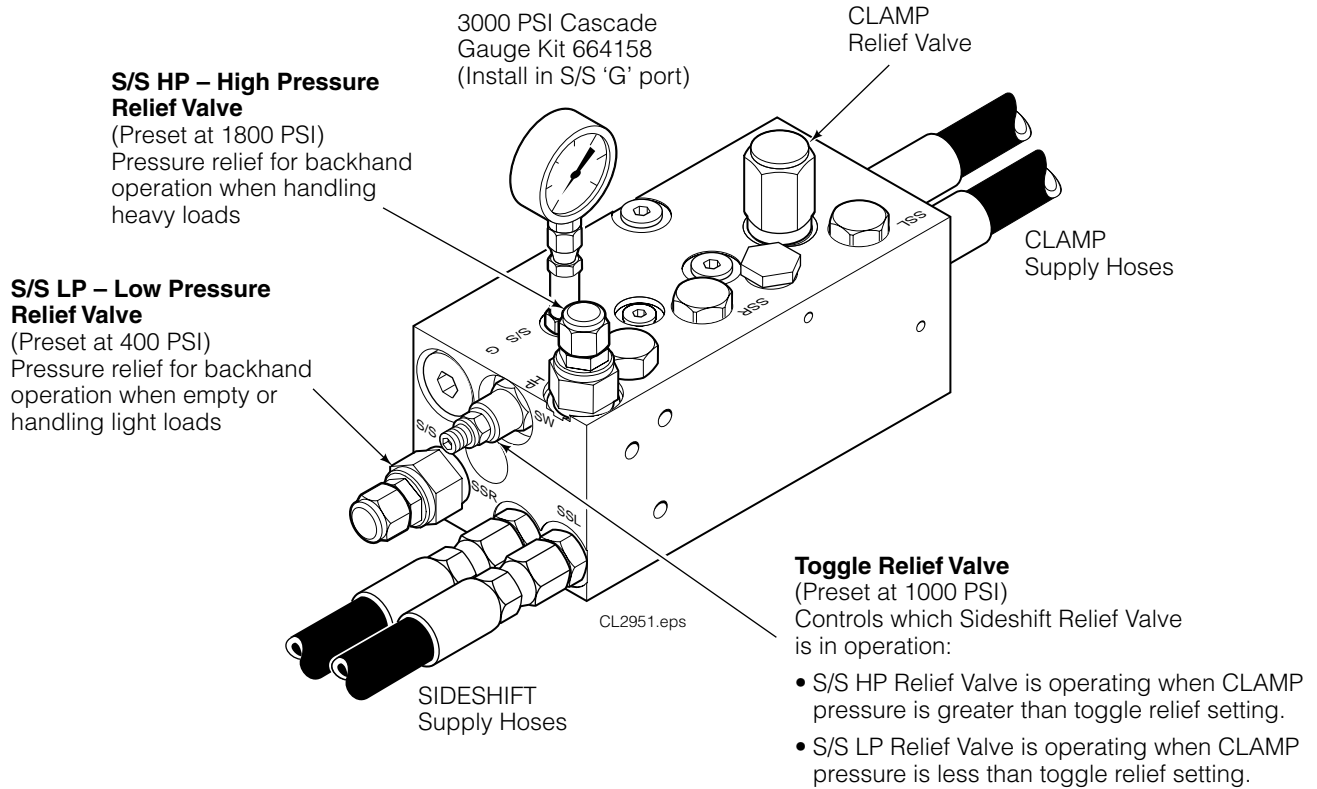
REF	QTY	PART NO.	DESCRIPTION	REF	QTY	PART NO.	DESCRIPTION
		6061983	Valve Assembly	17	1	6002071	Check Valve
1	6	604510	Plug	18	1	220869	Check Valve
2	2	609453	Plug	19	1	663694	Plug, 3
3	1	678270	Check Valve	20	2	673064	● Spool
4	2	6038929	Check Valve - PO	21	1	673063	● Shoulder Screw
5	2	667494	Fitting	22	1	6095	● Nut
6	2	2840	■ O-Ring	23	2	673098	Spring
7	2	667491	Sleeve	24	1	673271	Plug
8	2	667492	Poppet	25	1	609234	Plug
9	2	667487	Spring	26	1	6071506	Crossover Relief Valve
10	1	667488	● Spring	27	1	661347	■ Service Kit
11	1	215876	Crossover Relief Valve	28	2	667516	■ Service Kit
12	1	601377	Fitting, 8-8	29	3	682170	Service Kit
13	1	673271	Plug	30	1	667510	Service Kit
14	1	6043943	Valve Body	31	1	6025595	Service Kit
15	1	6045016	Relief Valve	32	2	673061	● Bushing
16	1	6035551	Relief Valve	33	2	673062	● Retaining Ring

■ Included in Service Kit 667513.

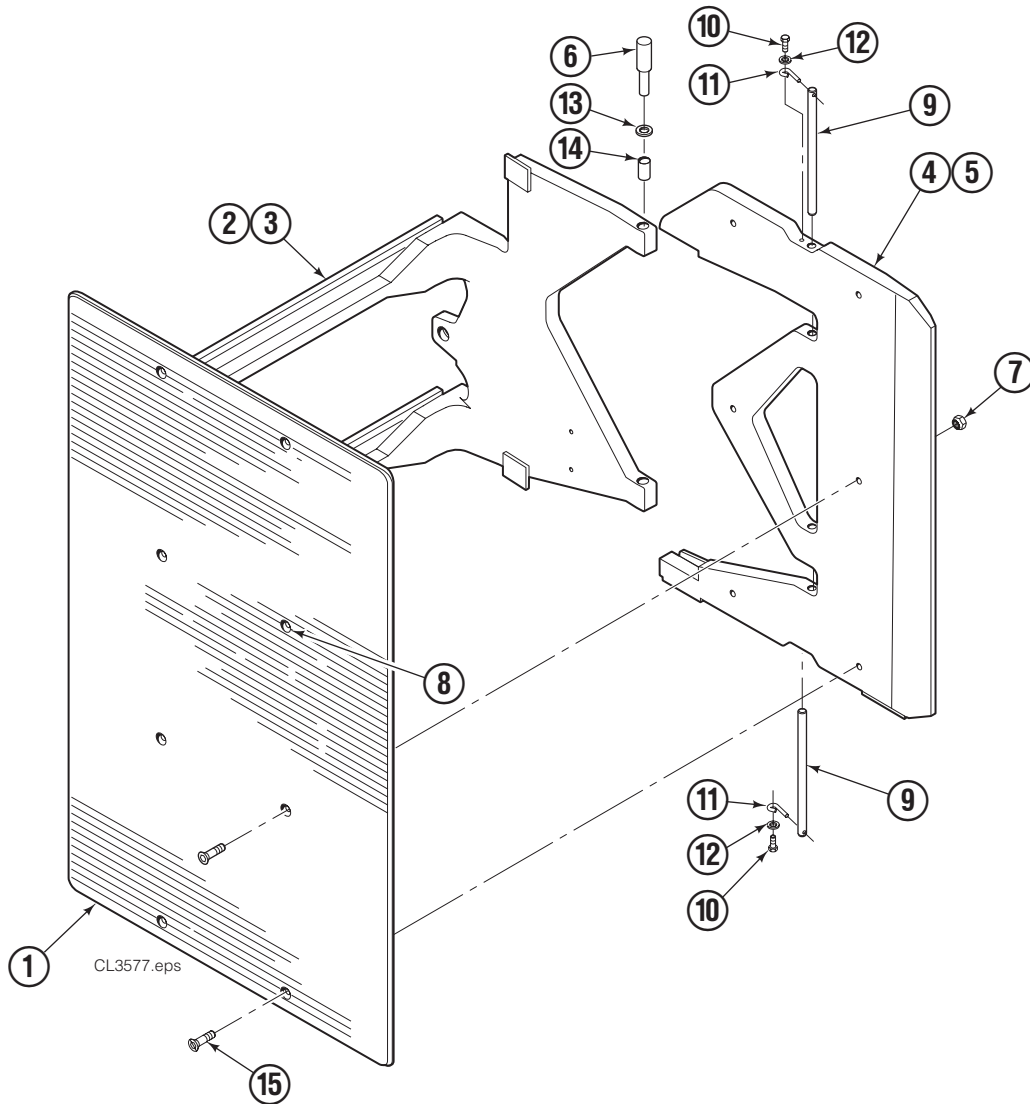
● Included in Low Flow Spool Assembly 679846.

Clamp Valve Assembly 6044017

Sideshift Crossover Relief & Sideshift Force Limitation



Contact Pad & Arm Group



15D							
REF	QTY	PART NO.	DESCRIPTION	REF	QTY	PART NO.	DESCRIPTION
1	2	6058279	Contact Pad - 34 x 54 ◆	9	4	210161	Pin
2	1	6058273	Arm - LH	10	4	787372	Capscrew, M8 x 20
3	1	6058276	Arm - LH	11	4	6020429	Eye Pin
4	1	6058285	Stabilizer - LH	12	4	787398	Washer, M8
5	1	6058286	Stabilizer - RH	13	■	675620	Washer, M10
6	1	675626	Bushing Driver Tool	14	8	200590	Bushing
7	12	773842	Nut, M12	15	12	768706	Capscrew, M12 x 35
8	▲	676841	Contact Pad Repair Kit				

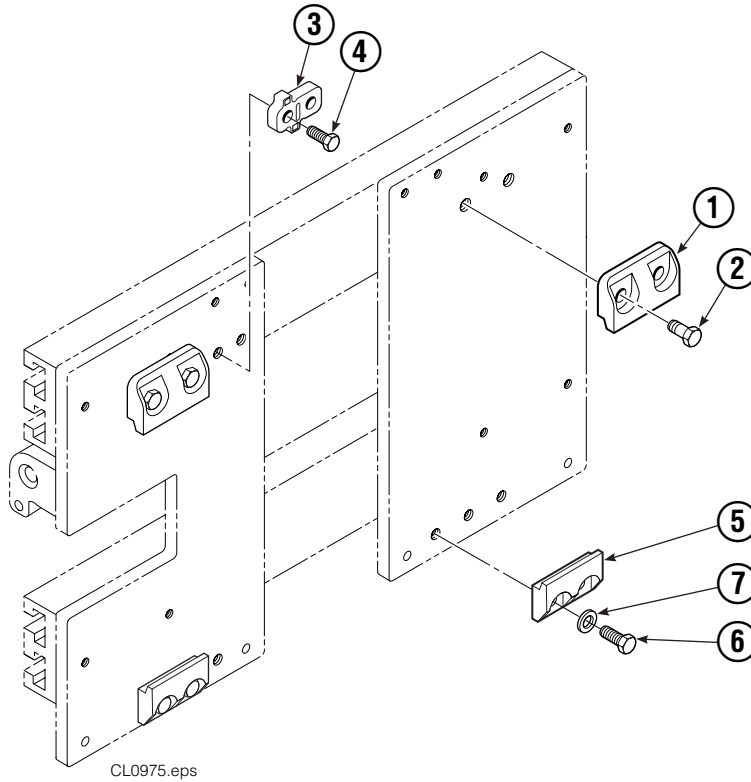
◆ Width x Height.

■ Quantity as required.

Reference: Common Parts 6061994, Stabilizer Group 6058291.

▲ Repairs one hole.

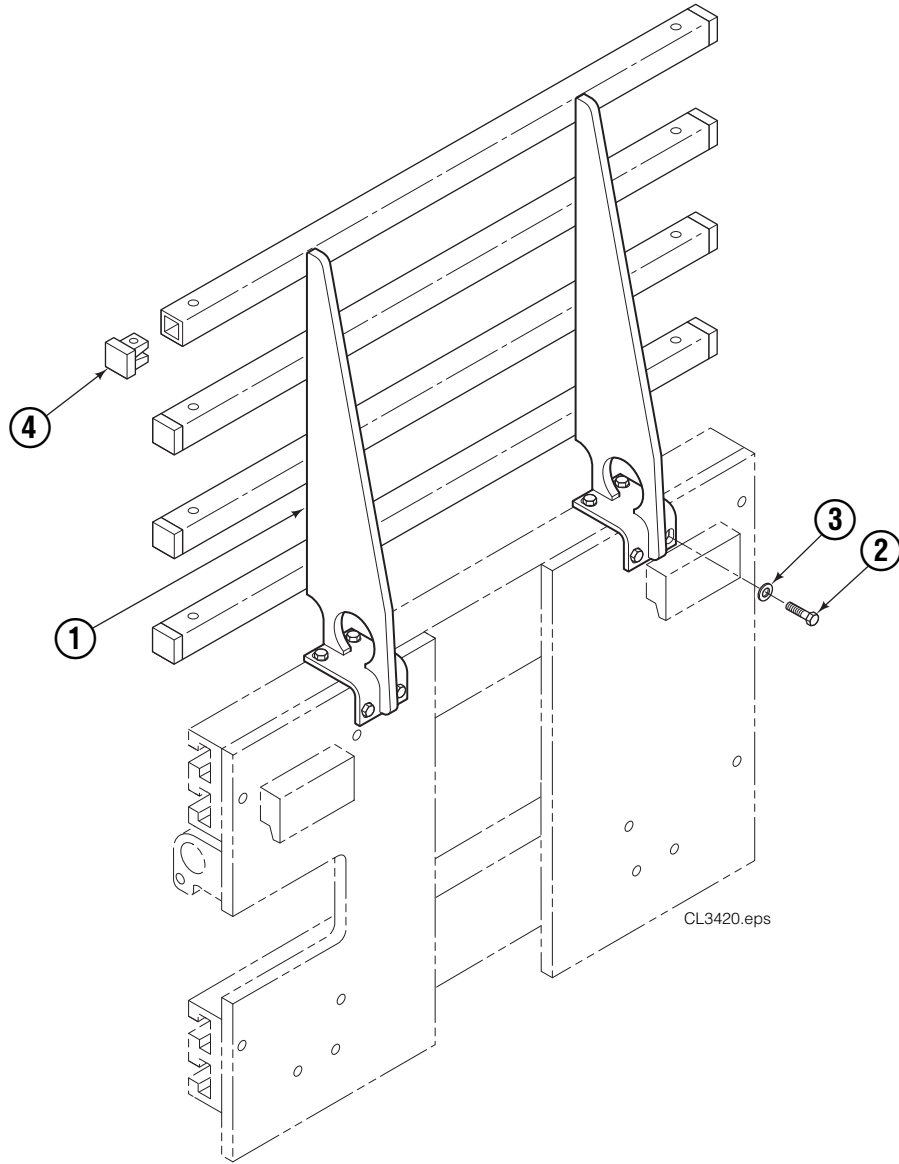
Bolt-On Mounting Group



Class II			
REF	QTY	PART NO.	DESCRIPTION
		211162	Upper Mounting Group ◆
		211173	Lower Mounting Group ●
1	2	210491	Upper Hook
2	4	768577	Capscrew, M20 x 35
3	1	212999	Center Key
4	2	211129	Capscrew, M16 x 35
5	2	675968	Lower Hook
6	4	211128	Capscrew, M16 x 30
7	4	667225	Washer, 5/8 in.

- ◆ Includes items 1–4.
- Includes items 5–7.

Backrest Group



4-Tube Backrest Shown

15D			
REF	QTY	PART NO.	DESCRIPTION
		6058292	Backrest Group
1	1	6058271	Backrest
2	8	767810	Capscrew, M12 x 25
3	8	667910	Washer
4	10	674356	Tube End

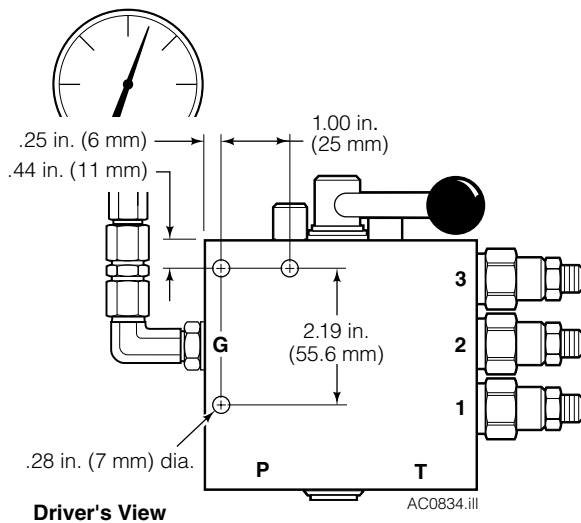


Installation Instructions

Three-Position Pressure Relief Valve 660412

This sheet provides installation instructions for Three-Position Pressure Relief Valve 660412. The valve enables up to four pressure selections, allowing the clamp force to be varied from load to load. Three pressure relief cartridges can be adjusted to relieve pressure between 100 and 3000 psi, a fourth position flows straight through at truck relief pressure. Maximum flow rate through the valve is 20 GPM.

- 1 Determine a convenient location on the truck cowl or overhead guard, within safe reach and view of the driver. Use the mounting hole dimensions shown to mount the valve.

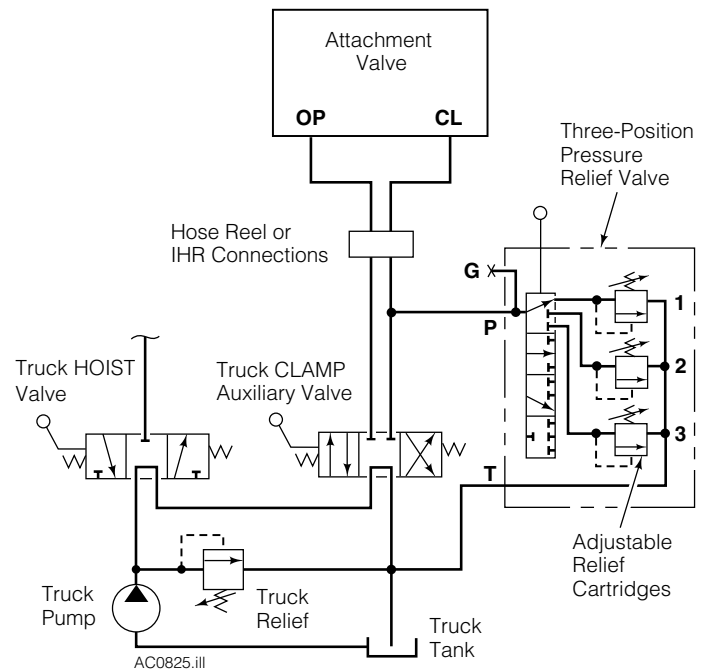
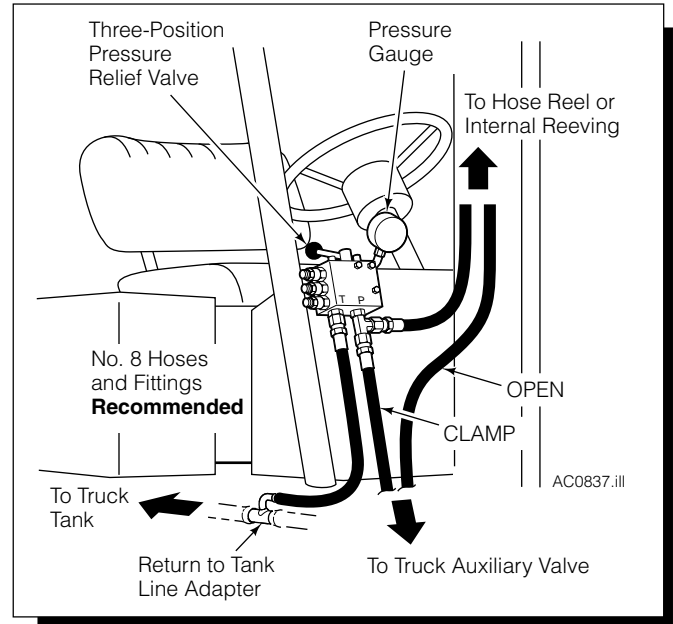


WARNING: Before removing hydraulic hoses, relieve pressure in the attachment hydraulic system. Turn the truck off and move the auxiliary control lever several times in both directions.

- 2 Install hoses and fittings between the Pressure Relief Valve, truck auxiliary valve, truck tank, and attachment valve. **No. 8 hoses and fittings with 13/32 in. (10 mm) minimum ID. recommended.**

CAUTION: A dedicated return-to-tank line is required from the relief valve T port to the truck tank. Kits available:

- Part No. 214062** – .75 in. (19 mm) inside dia. tank line
- Part No. 211745** – 1.00 in. (25 mm) inside dia. tank line
- Part No. 214066** – 1.25 in. (31 mm) inside dia. tank line
- Part No. 6037507** – 1.50 in. (38 mm) inside dia. tank line



Part No. 664827-R5

cascade[®]
corporation

For Technical Support . . .

Call: 1-800-227-2233 Fax: 1-888-329-8207

Internet: www.cascorp.com

Write: Cascade Corporation, PO Box 20187, Portland, OR 97294

To Order Parts . . .

Call: 1-888-227-2233 Fax: 1-888-329-0234

Internet: www.cascorp.com

Write: Cascade Corporation, 2501 Sheridan Ave., Springfield, OH 45505

