



Parts Manual

100D Pivot Arm Paper Roll Clamp

Serial Numbers 672375 through 672382

Manual Number 673923 R-1

cascade[®]

Cascade is a Registered Trademark of Cascade Corporation

HOW TO USE THIS MANUAL

Introduction

This manual illustrates service replacement parts for standard production Cascade 100D Pivot Arm Paper Roll Clamps.

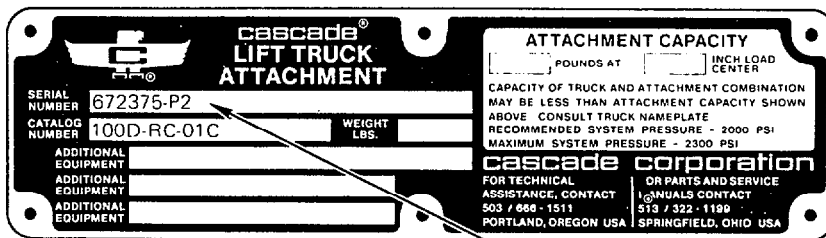
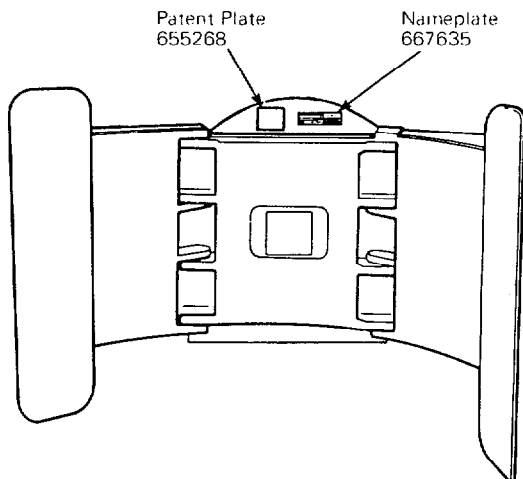
The parts manuals for attachments designed by the Application Engineering Department have an A.E.D. designation on the cover of the manual.

This standard attachment manual is not interchangeable with an A.E.D. Manual since it does not reflect the special engineering of an A.E.D. attachment.

To locate a service replacement part for a standard attachment follow the steps below.

1. Locate the Nameplate

The nameplate is attached to the right front face of the baseplate. If the nameplate is missing, all necessary information is stamped into the baseplate at the same location.



2. Note the Serial Number

Record the six-digit Serial Number. See the example.

3. Refer to Serial Number Index

Locate your Serial Number in the Serial Number Index on the following page.

IMPORTANT: DO NOT USE THIS MANUAL TO ORDER PARTS FOR AN A.E.D. ATTACHMENT. Contact Cascade Corporation to obtain the correct parts manual. You must supply the serial number and all additional equipment numbers to order the correct manual.

4. Ordering

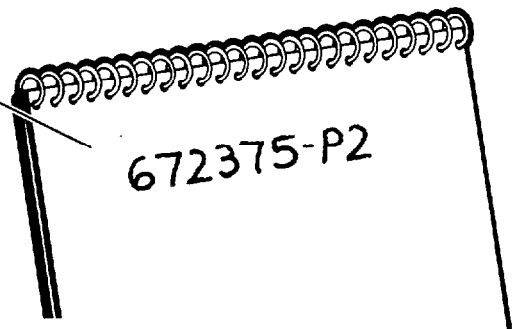
Retail Customers. Cascade Service Replacement Parts Literature are sold through authorized lift truck dealers. To order, contact the lift truck dealer of your choice.

Lift Truck Dealers. To order Service Replacement Parts Literature, contact:

Cascade Parts Depot
2501 Sheridan Avenue
P.O. Box 360
Springfield, Ohio 45505
(513) 322-1199
Telex: 205413

5. For Your Convenience

... We have supplied a parts ordering log located on the last page. Use this log as a permanent record of parts ordered from this manual.



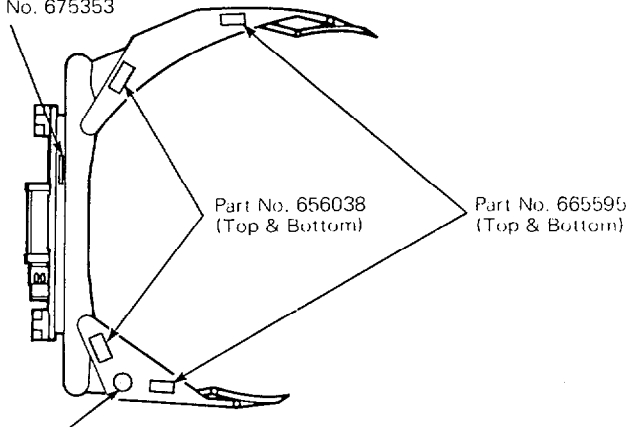
Serial Number Index

Serial Number (U.I. No.)	Model	Frame Group Page	Drive Group Page	Check Valve Page	Revolving Connection Page	Long Arm Cylinder Page	Short Arm Cylinder Page	Long Arm Page	Short Arm Page	Mounting Group Page
672375	100D	2	3	6	7	9	11	13	14	15
672376	100D	2	3	6	7	9	11	13	14	15
672378	100D	2	3	6	7	9	12	13	14	15
672379	100D	2	3	6	7	9	12	13	14	15
672381	100D	1	3	5	7	8	10	13	14	15
672382	100D	1	3	5	7	8	10	13	14	15

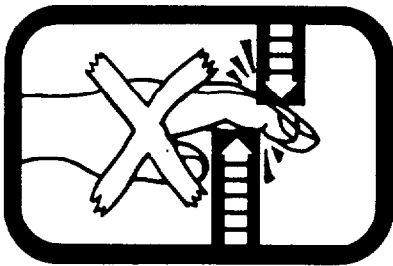
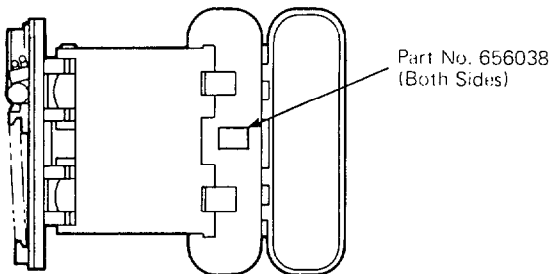
2298c

Safety Decal

Rotation Indicator Tape Part No. 675353

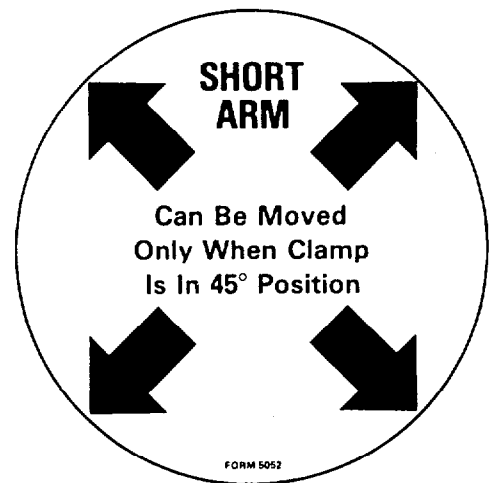


Part No. 660269 (Top & Bottom)



QTY	PART NO.	DESCRIPTION
6	656038	No Hand Hold Decal

2298



QTY	PART NO.	DESCRIPTION
4	665595	No Hand Hold Decal

2298i

QTY	PART NO.	DESCRIPTION
2	660269	Short Arm Decal

2298i

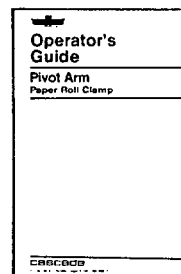
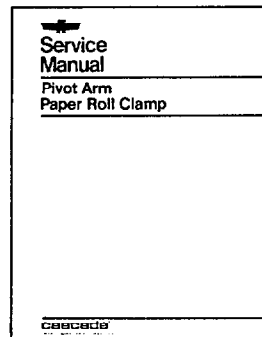
Recommended Spare Parts List

100D PIVOT ARM PAPER ROLL CLAMPS		
PART NO.	DESCRIPTION	ATTACHMENTS SERVICED
		1-5
659377	FRAME GROUP Shim	4
659522	ARM GROUP Pin	2
• •	CYLINDERS Short Arm Service Kit Long Arm Service Kit	2 1
661816 656223 651876	REVOLVING CONNECTION Valve Cartridge Cartridge Service Kit Shaft Service Kit	2 1 1
7214 643423 675394 668184 671584 671583 656300	DRIVE GROUP Snap Ring O-Ring Drive Motor Seal Kit Sealant Bearing Service Kit Bearing Service Kit Gear Box Lube	2 1 1 1 1 1 1
656223	CHECK VALVE Seal Kit	1
670704	STOP KIT Stop Kit	1
668209	PAINT, CASCADE YELLOW 12 oz. Aerosol Can	1
675561 660422	PUBLICATIONS Service Manual Operators Guide	1 1

2298:1

- See specific parts page for number.

Publications



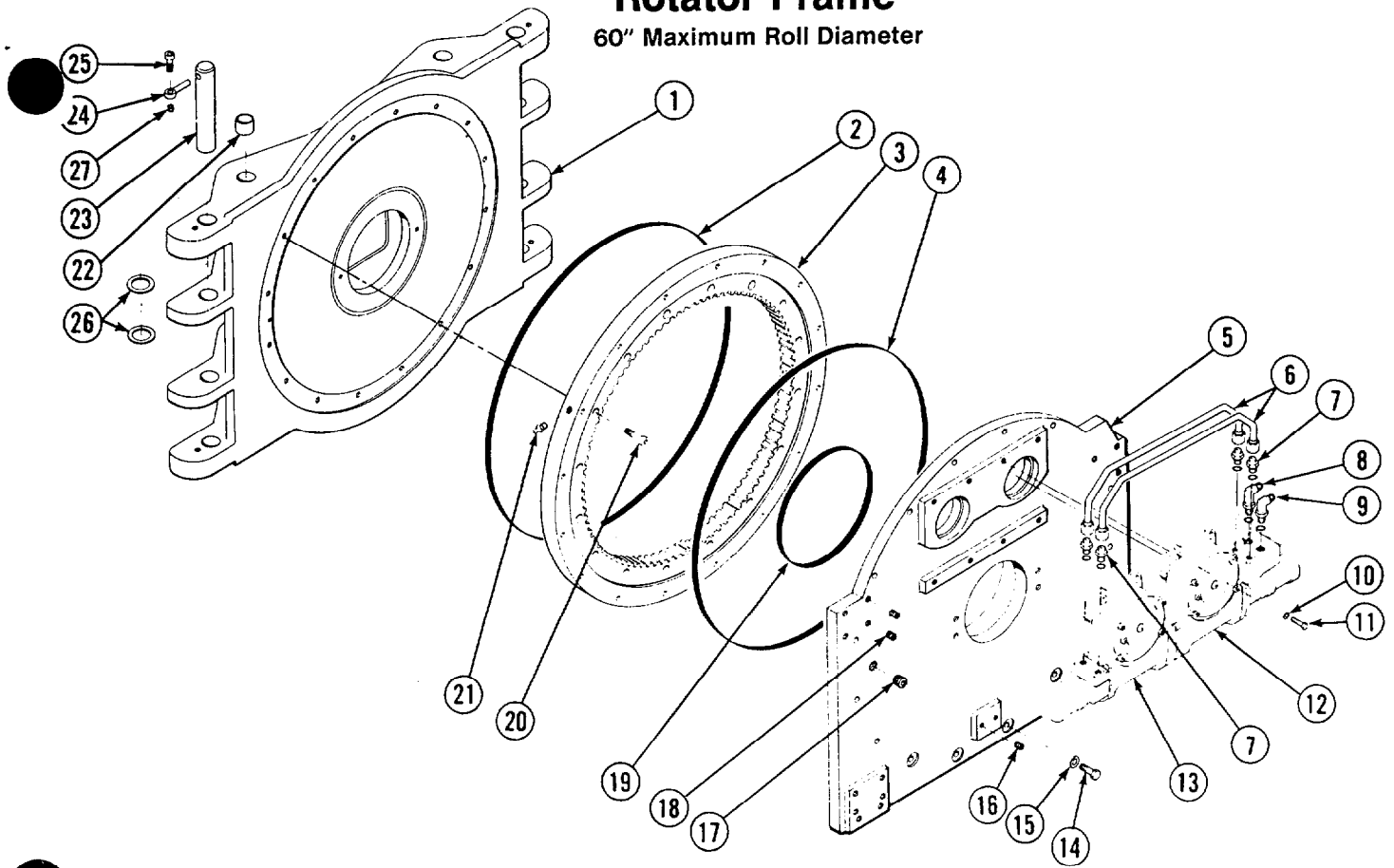
PART NO.	DESCRIPTION	SERIAL NO. RANGE
675561	Service Manual	672375-672382
660422	Operator's Guide	All

2298:1



Rotator Frame

60" Maximum Roll Diameter

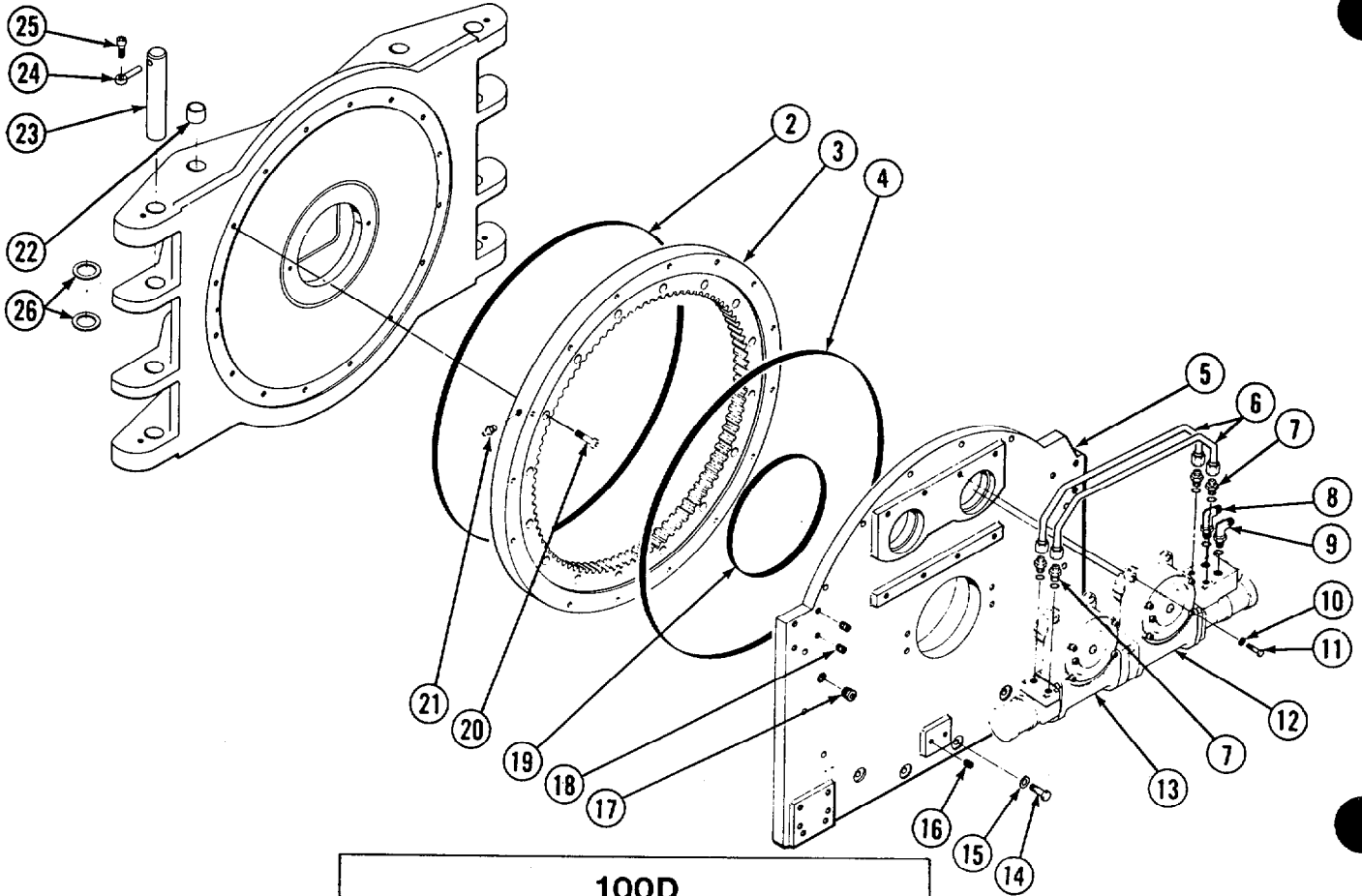


100D			
REF.	QTY.	PART NO.	DESCRIPTION
		★ 672298	Base Unit Group
1	1	672296	Frame - 52" Wide
2	1	670518	Seal
◆ 3	1	670782	Bearing Assembly
4	1	670517	Seal
5	1	672294	Baseplate
6	2	670786	Tube Assembly
7	4	662187	Fitting, 6-8
8	1	660385	Fitting, 8-8
9	1	601250	Fitting, 8-8
10	8	6290	Lockwasher
11	8	661742	Capscrew, 1/2 NC x 1.25 GR5
◆ 12	1	670558	Drive Group - R.H.
◆ 13	1	670562	Drive Group - L.H.
14	16	637582	Capscrew, 3/4 NC x 2.25 GR5
15	16	6294	Lockwasher
16	2	631427	Plug
17	1	6605	Plug
18	18	631428	Plug
19	1	670931	Seal
◆ 20	16	672832	Capscrew, 3/4 NC x 1.75 GR8
21	1	7401	Grease Fitting
22	8	659374	Bushing
23	4	659375	Pin
24	4	659376	Eyebolt
25	4	665784	Capscrew, 1/2 NC x 1.38
26	8	659377	Shim
27	4	665714	Sleeve
		672483	Bearing Service Kit

- Includes items 2 and 4.
- See page 3 for replacement parts breakdown.
- ◆ Included in Bearing Service Kit 672483.
- ★ Includes items 1 - 21.

Rotator Frame

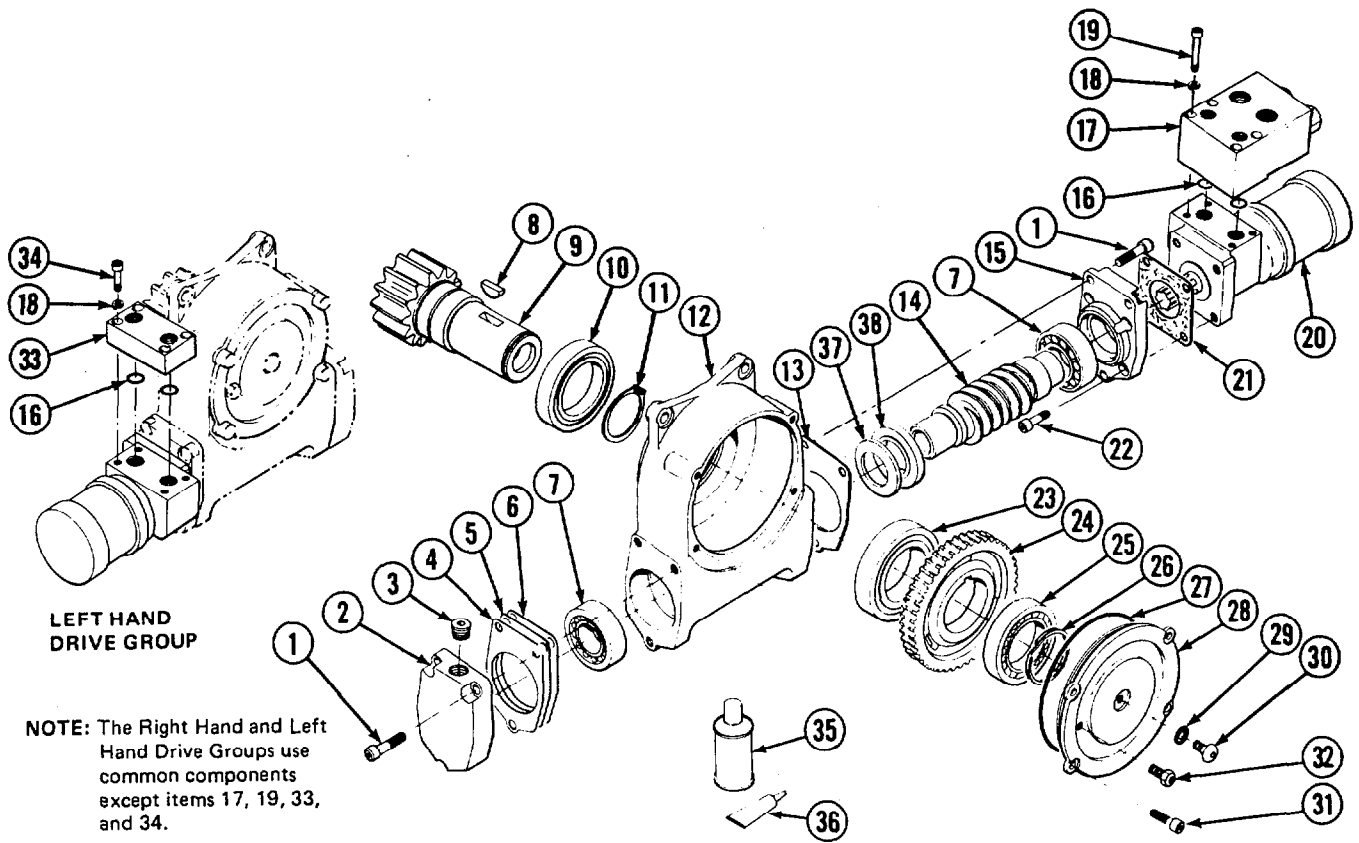
72" and 84" Maximum Roll Diameter



100D			
REF.	QTY.	PART NO.	DESCRIPTION
		★ 672297	Base Unit Group
1	1	672295	Frame - 60" Wide
2	1	670518	Seal
● 3	1	670782	Bearing Assembly
4	1	670517	Seal
5	1	672294	Baseplate
6	2	670786	Tube Assembly
7	4	662187	Fitting, 6-8
8	1	660385	Fitting, 8-8
9	1	601250	Fitting, 8-8
10	8	6290	Lockwasher
11	8	661742	Capscrew, 1/2 NC x 1.25 GR5
● 12	1	670558	Drive Group - R.H.
● 13	1	670562	Drive Group - L.H.
14	16	637582	Capscrew, 3/4 NC x 2.25 GR5
15	16	6294	Lockwasher
16	2	631427	Plug
17	1	6605	Plug
18	18	631428	Plug
19	1	670931	Seal
● 20	16	672832	Capscrew, 3/4 NC x 1.75 GR8
21	1	7401	Grease Fitting
22	8	659374	Bushing
23	4	659375	Pin
24	4	659376	Eyebolt
25	4	651090	Shoulder Bolt
26	8	659377	Shim
		672483	Bearing Service Kit

- Includes items 2 and 4.
- See page 3 for replacement parts breakdown.
- ◆ Included in Bearing Service Kit 672483.
- * Includes items 1 - 21.

Rotator Drive Group



LEFT HAND
DRIVE GROUP

NOTE: The Right Hand and Left
Hand Drive Groups use
common components
except items 17, 19, 33,
and 34.

100D

REF	QTY	PART NO.	DESCRIPTION	REF	QTY	PART NO.	DESCRIPTION
		670558	Drive Group-R.H. w/Motor	§ 20	1	675329	Drive Motor
		670562	Drive Group-L.H. w/Motor	21	1	670575	Gasket
	‡	675636	Drive Group-R.H. w/o Motor	22	4	4468	Capscrew, 3/8 NC x .75
	‡	675867	Drive Group-L.H. w/o Motor	■ 23	1	670580	Bearing
1	6	607071	Capscrew, 7/16 NC x 1.0 GR8	24	1	676448	Worm Gear
2	1	670572	Cover	25	1	670581	Bearing
3	1	6609	Plug	26	1	7214	Snap Ring
★ 4	●	670574	Shim-.010" (Brown)	27	1	643423	O-Ring
★ 5	●	671757	Shim-.015" (Pink)	28	1	670567	Cover
★ 6	●	671758	Shim-.020" (Yellow)	29	1	603680	Seal
† 7	2	670579	Bearing	30	1	4874	Capscrew, 3/8 NC x .50 GR8
8	1	670582	Key	31	4	671535	Capscrew, 5/16 NC x .75
9	1	670559	Pinion	32	1	644010	Relief
10	1	670560	Bearing	33	1	670563	Manifold-L.H. Drive only
11	1	3160	Snap Ring	34	4	607054	Capscrew, 5/16 NC x .75 GR8
12	1	670565	Housing	35	1	656300	Gear Box Lube-48 oz.
13	1	670574	Shim-.010" (Brown)	■ 36	1	668184	Sealant
14	1	676447	Worm	37	1	672449	Washer Spring
15	1	670570	Adapter	38	1	672448	Washer
§ 16	2	2705	Seal	†		670578	Shim Service Kit
☆ 17	1	670561	Valve Assembly-R.H. only			671583	Bearing Service Kit
18	4	6444	Lockwasher			671584	Bearing Service Kit
19	4	607060	Capscrew, 5/16 NC x 2.00 GR8			675343	Drive Motor Service Kit

2298e

- Quantity as required.
- Included in Bearing Service Kit 671583.
- † Included in Bearing Service Kit 671584.
- ★ Included in Shim Service Kit 670578.
- ☆ See page 4 for replacement parts breakdown.
- ‡ Includes all items except 17, 19, 20, 33 and 34.
- § Included in Drive Motor Service Kit 675343.

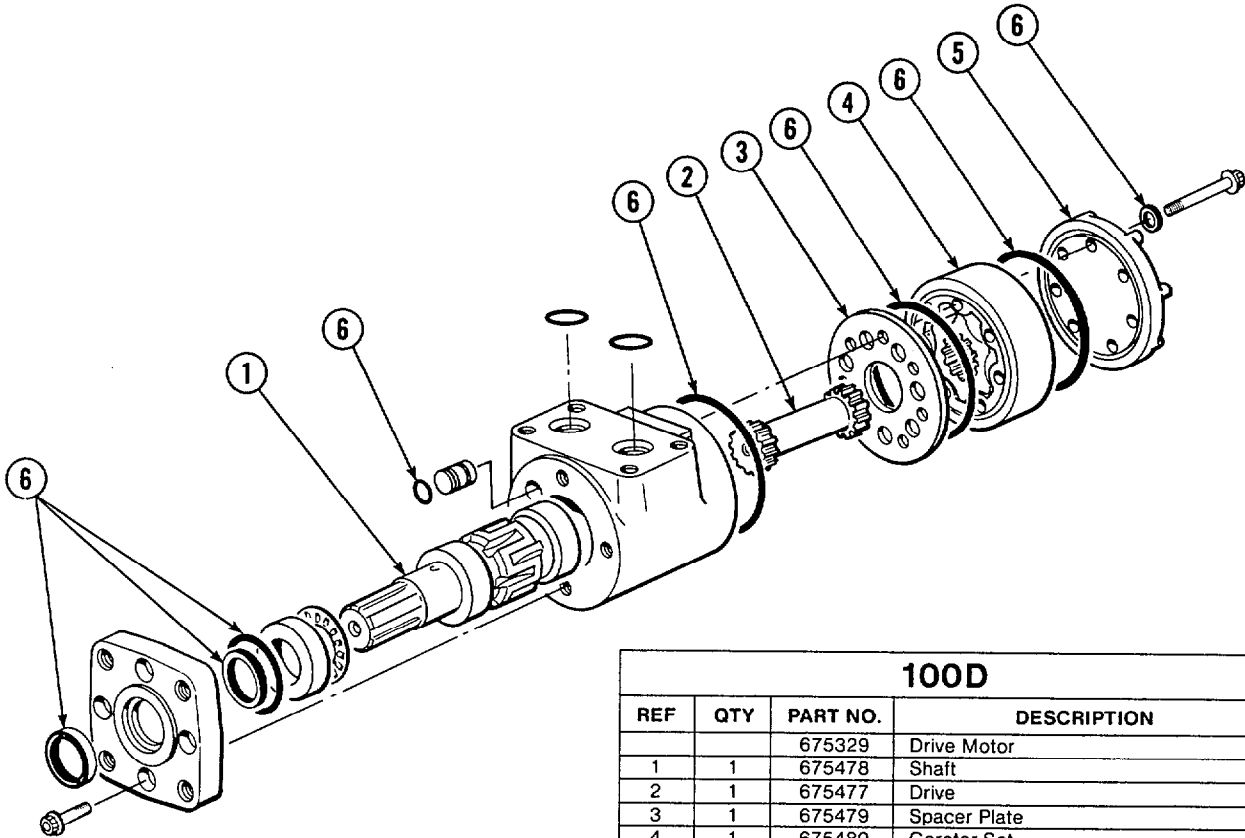


© Cascade Corporation 1985

Rev. 1

673923

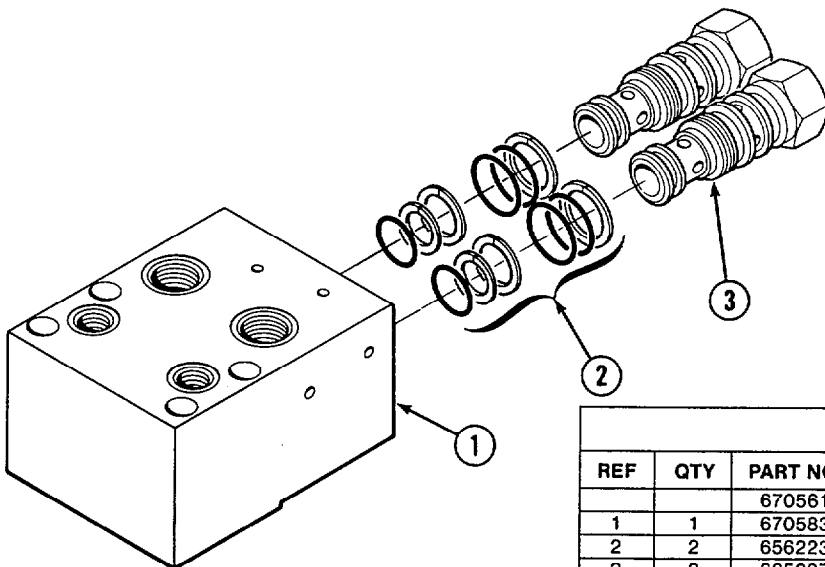
Drive Motor



100D			
REF	QTY	PART NO.	DESCRIPTION
		675329	Drive Motor
1	1	675478	Shaft
2	1	675477	Drive
3	1	675479	Spacer Plate
4	1	675480	Gerotor Set
5	1	675482	End Cap
6	1	675394	Service Kit

22981

Check Valve



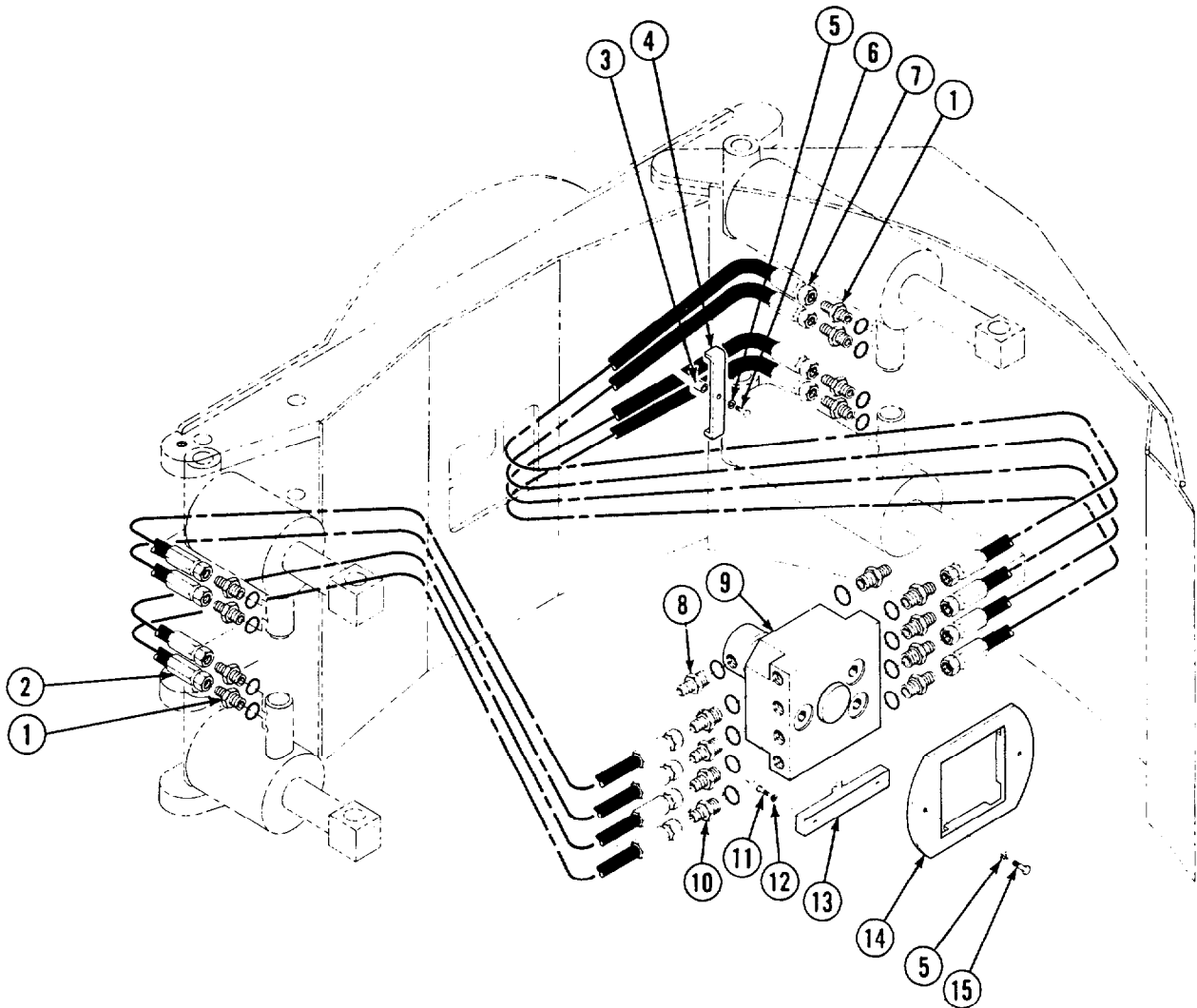
100D			
REF	QTY	PART NO.	DESCRIPTION
		670561	Check Valve Assembly
1	1	670583	Body
2	2	656223	Seal Kit
3	2	665097	Check Valve

22981



Check Valve Group

60" Maximum Roll Diameter

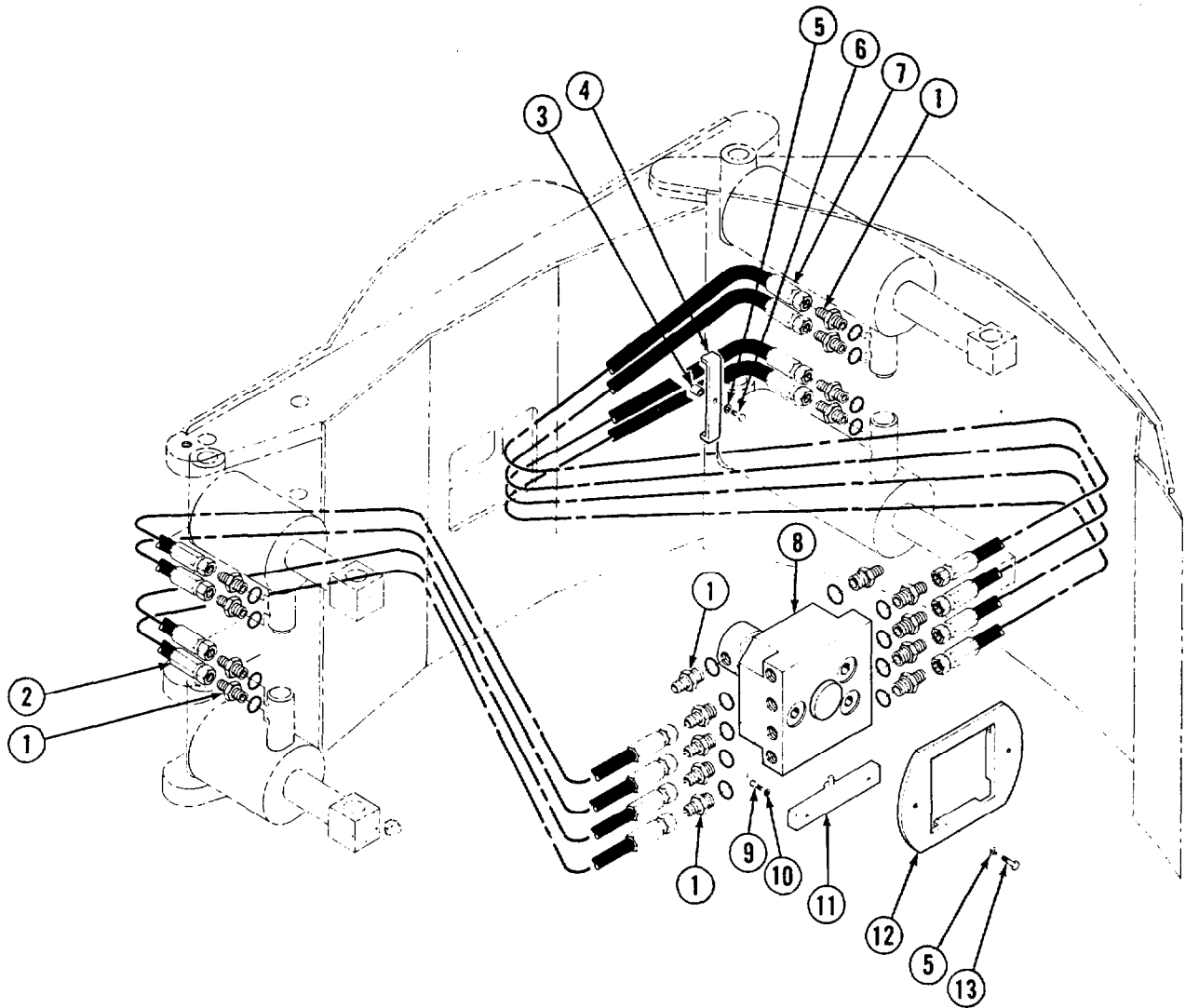


100D			
REF.	QTY.	PART NO.	DESCRIPTION
1	8	604511	Fitting, 6-6
2	4	645619	Hose
3	2	645598	Spacer
4	2	645597	Clamp
5	4	6288	Lockwasher
6	2	3605	Capscrew, 3/8 NC x 1.50
7	4	645618	Hose
8	2	601377	Fitting, 8-8
9	1	659637	Revolving Connection
10	8	611288	Fitting, 6-8
11	4	4470	Capscrew, 3/8 NC x .87 GR8
12	4	6372	Lockwasher
13	2	659639	Bar Keeper
14	1	659638	Retainer
15	2	3599	Capscrew, 3/8 NC x .50

■ See page 7 for replacement parts breakdown.

Check Valve Group

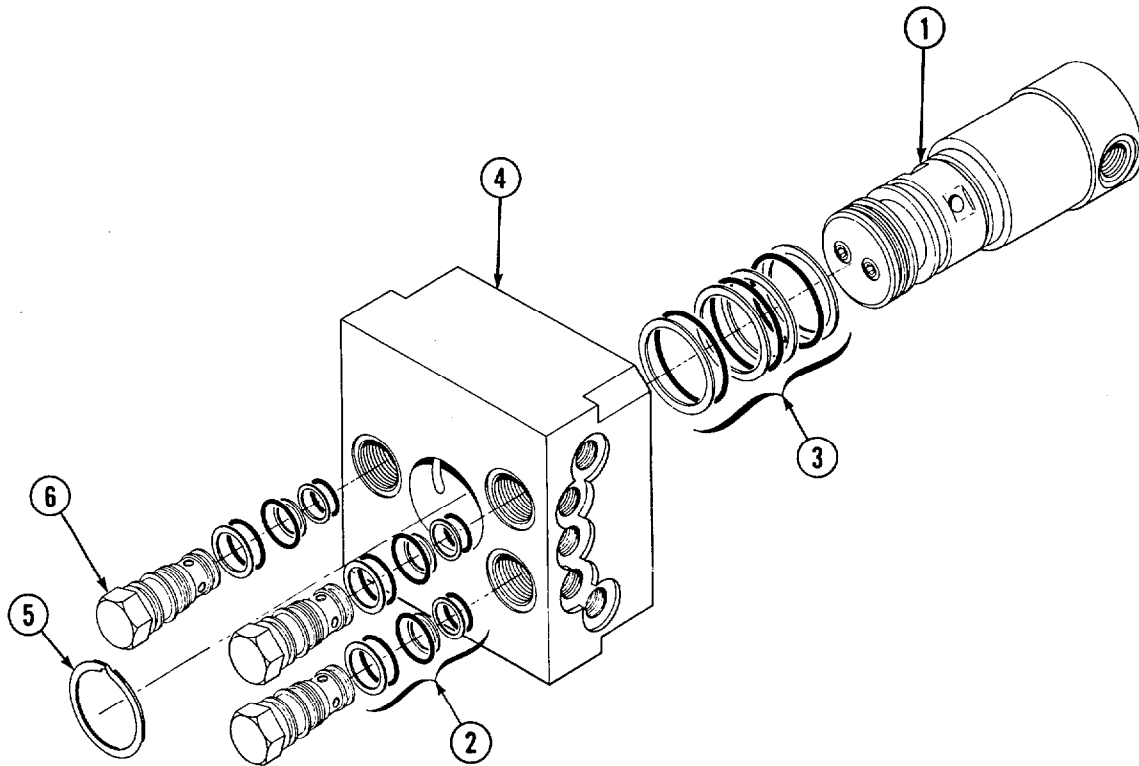
72" and 84" Maximum Roll Diameter



100D			
REF.	QTY.	PART NO.	DESCRIPTION
1	18	601377	Fitting, 8-8
2	4	660947	Hose
3	2	659636	Spacer
4	2	659641	Clamp
5	4	6288	Lockwasher
6	2	3606	Capscrew, 3/8 NC x 1.75
7	4	660946	Hose
■ 8	1	659637	Revolving Connection
9	4	4470	Capscrew, 3/8 NC x .87 GR8
10	4	6372	Lockwasher
11	2	659639	Bar Keeper
12	1	659638	Retainer
13	2	3599	Capscrew, 3/8 NC x .50

■ See page 7 for replacement parts breakdown.

Revolving Connection

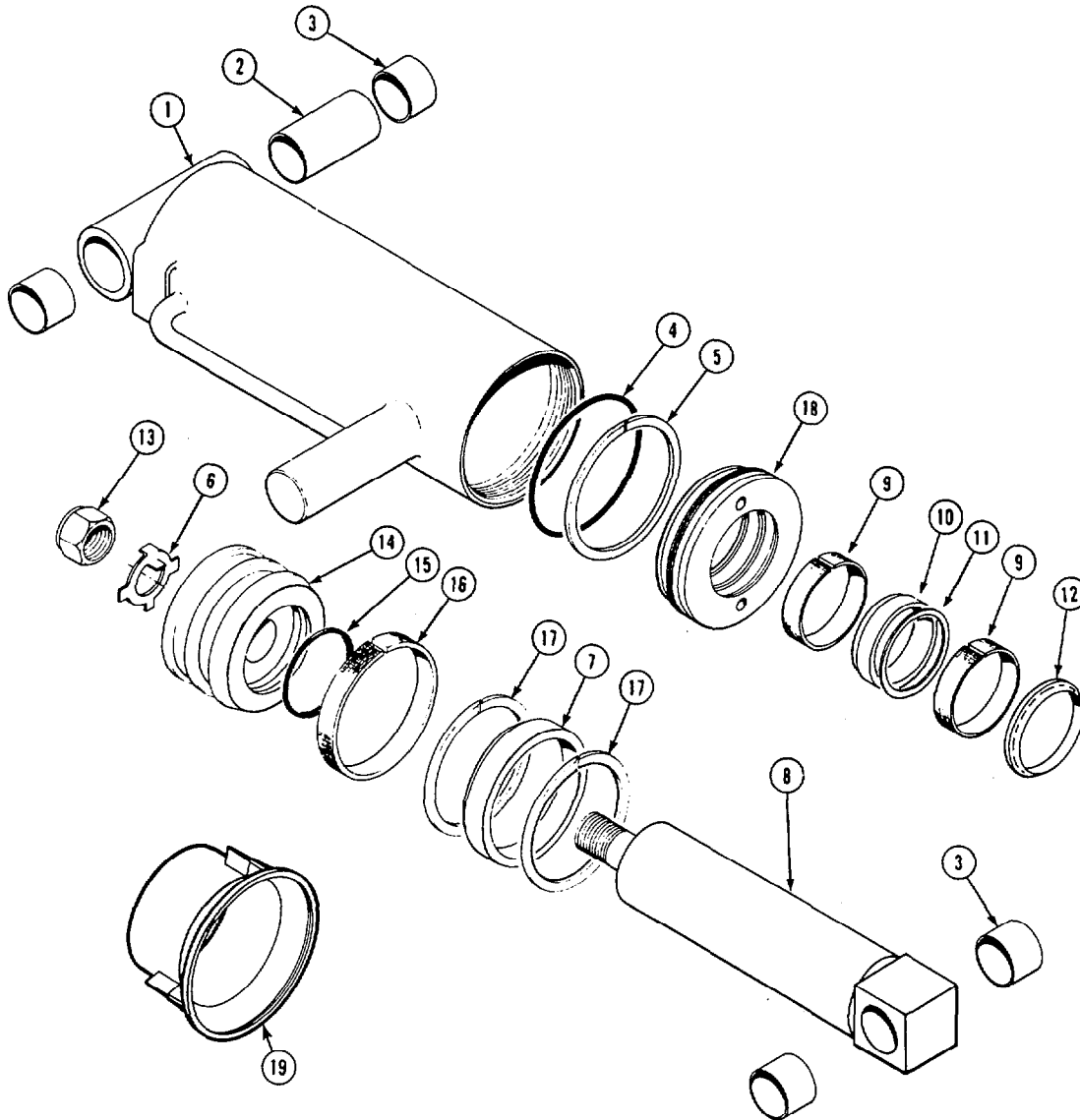


100D			
REF	QTY	PART NO.	DESCRIPTION
		659637	Revolving Connection
1	1	662026	Shaft
2	3	656223	Kit, Cartridge Seal
3	1	651876	Kit, Shaft Seal
4	1	659704	Body
5	1	7205	Snap Ring
6	3	661816	Valve Cartridge

2298g

Cylinder Assembly Long Arm

60" Maximum Roll Diameter

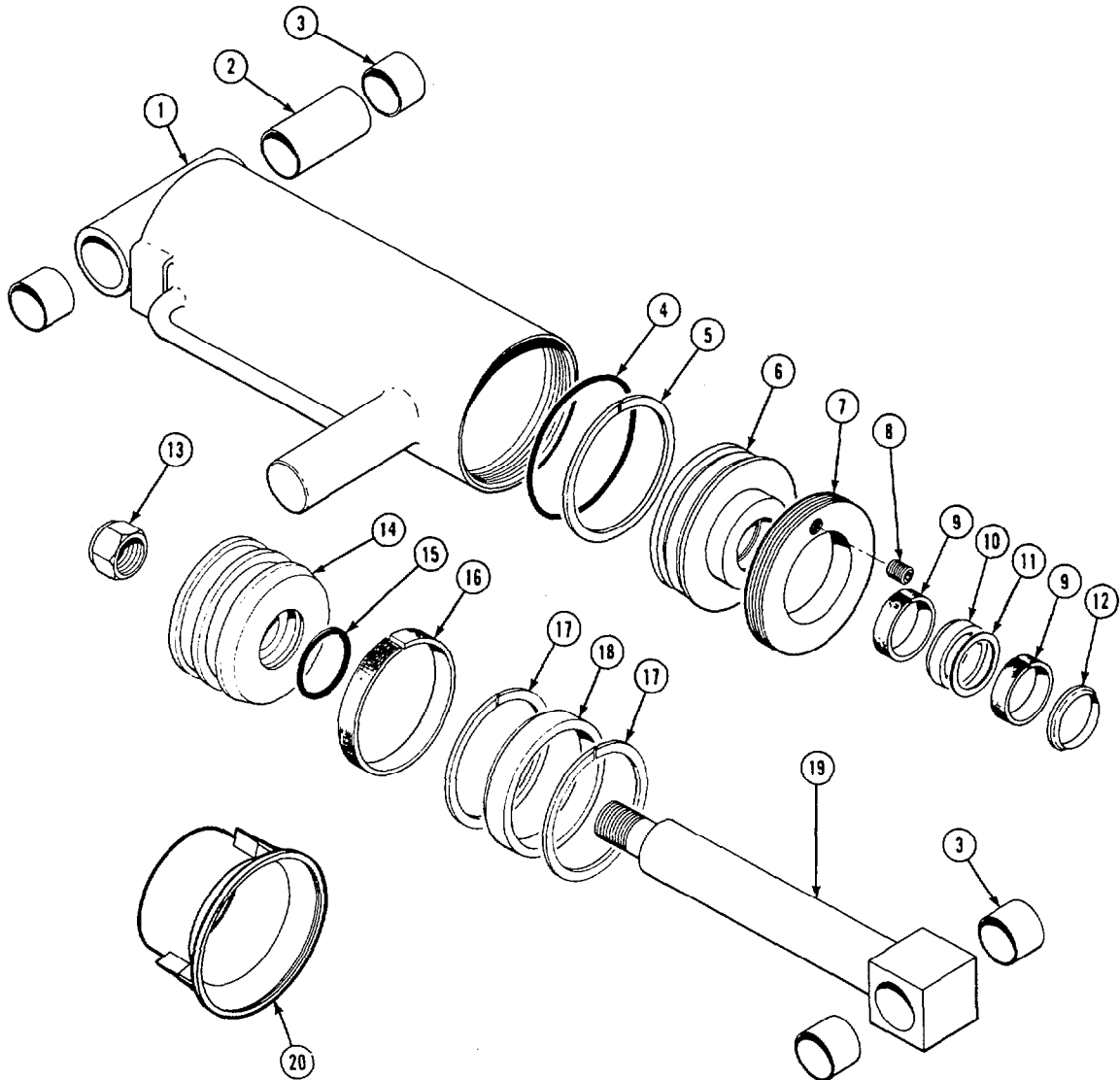


100D							
REF.	QTY.	PART NO.	DESCRIPTION	REF. NO.	QTY.	PART NO.	DESCRIPTION
		665900	Cylinder Assembly	●11	1	638253	Nylon Ring
1	1	665901	Shell	●12	1	636861	Wiper
2	1	659397	Sleeve	13	1	5713	Nut
3	4	652439	Bushing	14	1	639996	Piston
●4	1	2809	O-Ring	●15	1	2787	O-Ring
●5	1	615152	Back-up Ring	●16	1	660785	Bearing
●6	1	643172	Keeper	●17	2	636692	Nylon Ring
●7	1	555730	Seal	18	1	645584	Retainer
8	1	665904	Rod	●19	1	669245	Seal Loader
●9	2	660867	Bearing			645906	Service Kit
●10	1	553525	Seal				

● Included in Service Kit 645906.

Cylinder Assembly Long Arm

72" and 84" Maximum Roll Diameter

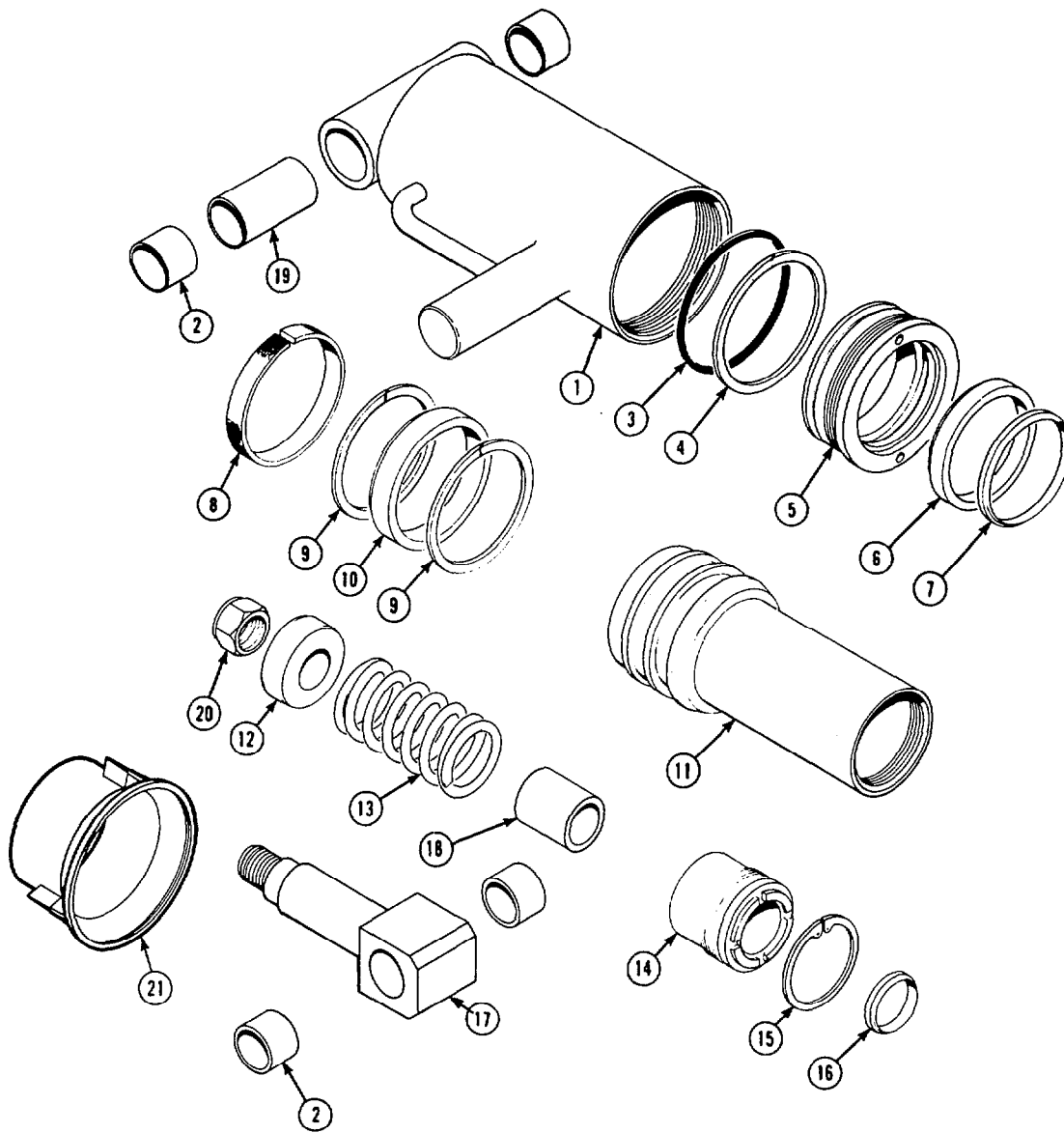


100D							
REF.	QTY.	PART NO.	DESCRIPTION	REF. NO.	QTY.	PART NO.	DESCRIPTION
		659430	Cylinder Assembly	●11	1	637565	Nylon Ring
1	1	659432	Shell	●12	1	629608	Wiper
2	1	659397	Sleeve	13	1	5887	Nut
3	4	652439	Bushing	14	1	659431	Piston
●4	1	2755	O-Ring	●15	1	2791	O-Ring
●5	1	615219	Back-up Ring	●16	1	660819	Bearing
6	1	659438	Retainer	●17	2	637562	Nylon Ring
7	1	659439	Threaded Washer	●18	1	662470	Seal
8	1	5010	Setscrew	19	1	659437	Rod
●9	2	660777	Bearing	●20		669511	Seal Loader
●10	1	553521	Seal			659951	Service Kit

●Included in Service Kit 659951



Cylinder Assembly Short Arm 60" Maximum Roll Diameter

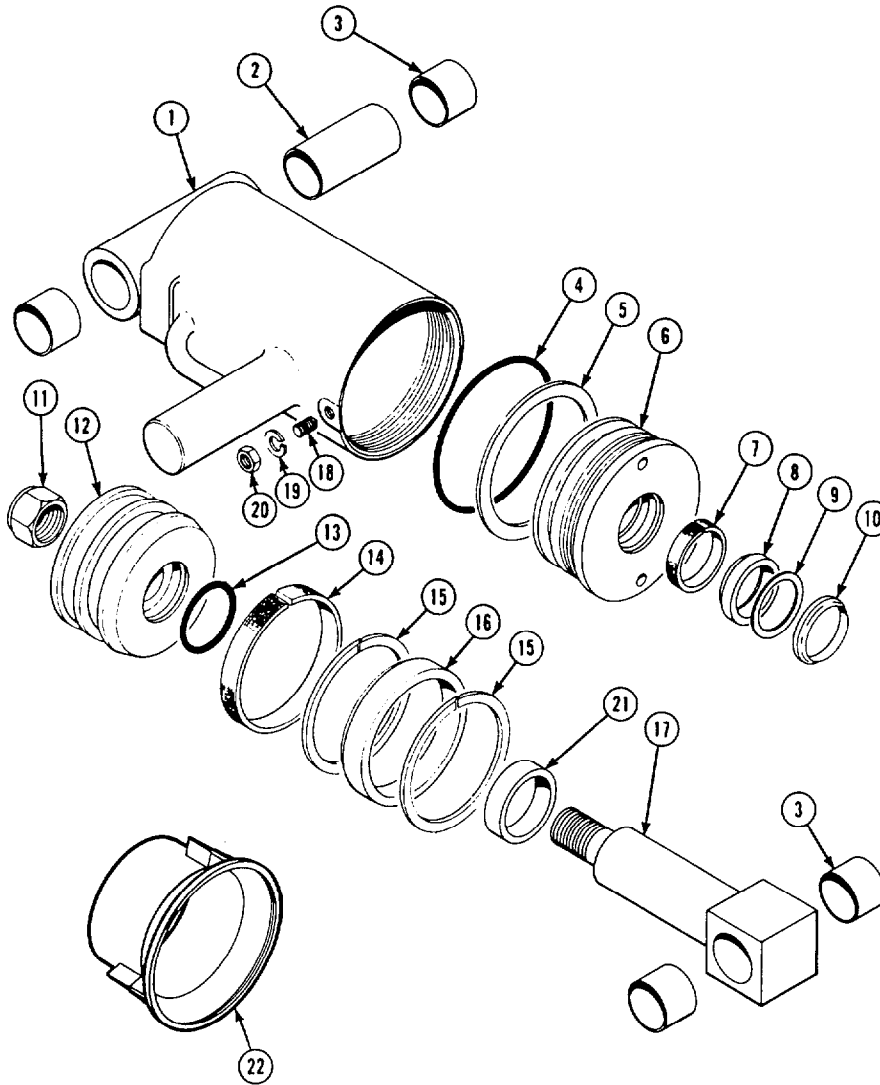


100D							
REF.	QTY.	PART NO.	DESCRIPTION	REF. NO.	QTY.	PART NO.	DESCRIPTION
		665934	Cylinder Assembly	12	1	660044	Piston
1	1	665735	Shell	13	1	645574	Spring
2	4	652439	Bushing	14	1	660048	Retainer
3	1	2805	O-Ring	15	1	659690	Snap Ring
4	1	615148	Back-up Ring	16	1	644691	Wiper Ring
5	1	660081	Retainer	17	1	665938	Rod
6	1	553525	Seal	18	1	660082	Spacer
7	1	636861	Wiper Ring	19	1	659397	Sleeve
8	1	660783	Bearing	20	1	5884	Nut
9	2	660953	Nylon Ring	21	1	669244	Seal Loader
10	1	555729	Seal			660086	Service Kit
11	1	660078	Plunger Shell				

•Included in Cylinder Service Kit 660086

Cylinder Assembly Short Arm

72" Maximum Roll Diameter



100D							
REF.	QTY.	PART NO.	DESCRIPTION	REF. NO.	QTY.	PART NO.	DESCRIPTION
		659440	Cylinder Assembly	12	1	659396	Piston
1	1	659387	Shell	●13	1	2791	O-Ring
2	1	659397	Sleeve	●14	1	636956	Bearing
3	4	652439	Bushing	●15	2	636692	Nylon Ring
●4	1	2809	O-Ring	●16	1	555730	Seal
●5	1	615152	Back-up Ring	17	1	659394	Rod
6	1	658111	Retainer	18	1	5204	Setscrew
●7	1	660777	Bearing	19	1	6287	Lockwasher
●8	1	553521	Seal	20	1	5927	Jam Nut
●9	1	637565	Nylon Ring	21	1	665329	Spacer
●10	1	629608	Wiper Ring	●22		669245	Seal Loader
11	1	5887	Nut			659952	Service Kit

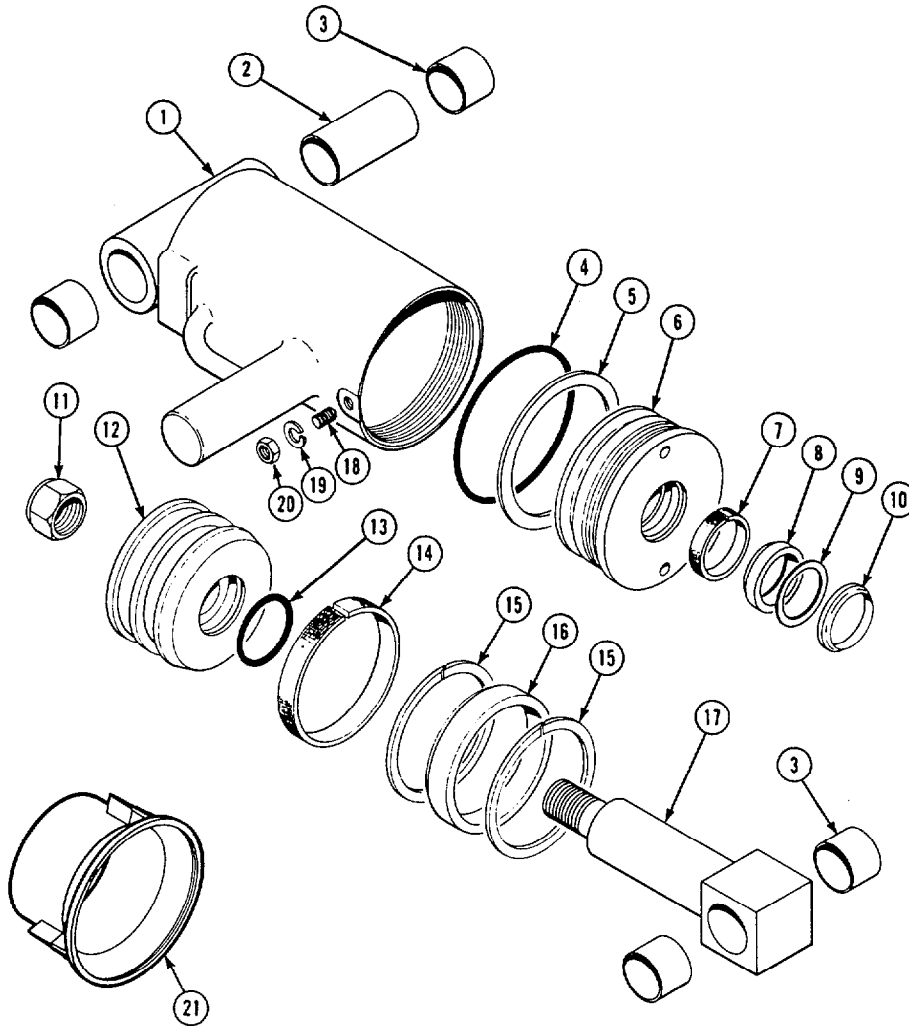
● Included in Service Kit 659952



Cylinder Assembly

Short Arm

84" Maximum Roll Diameter

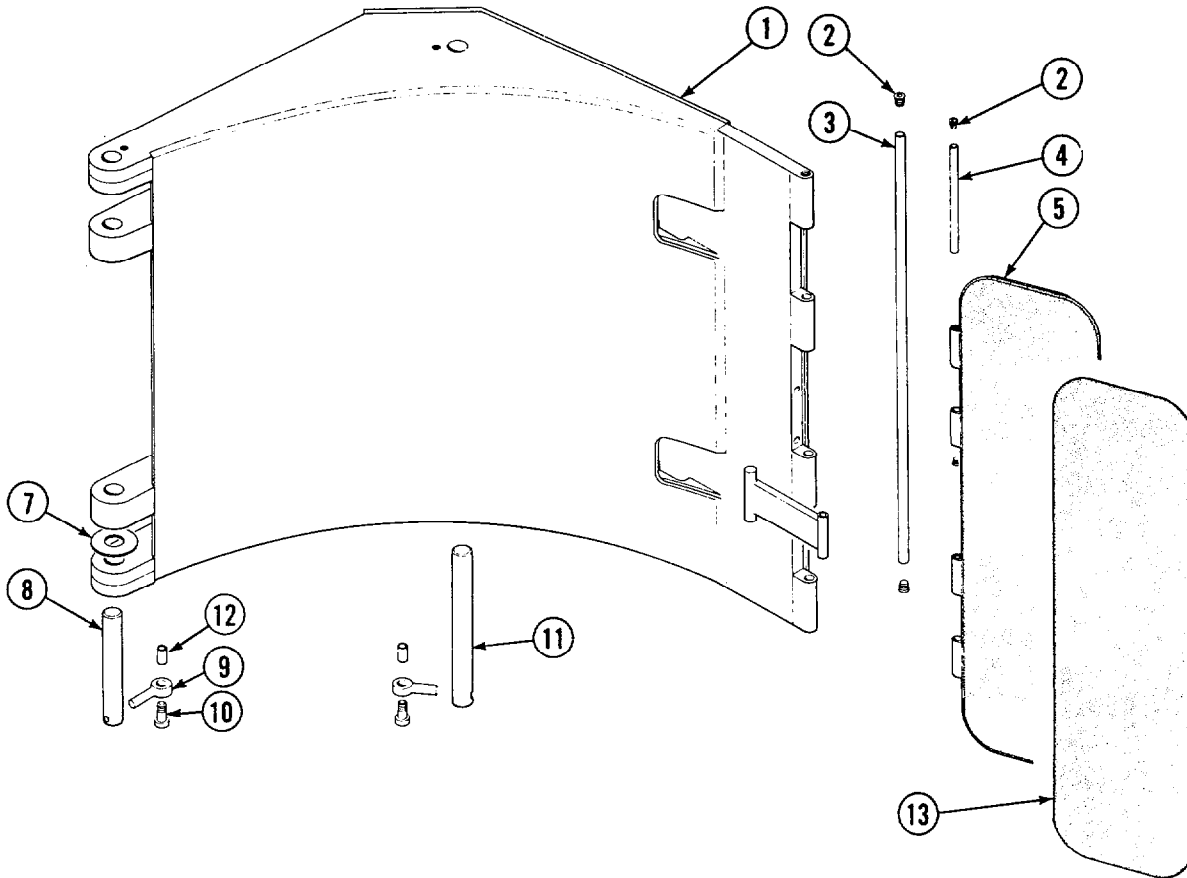


100D							
REF.	QTY.	PART NO.	DESCRIPTION	REF. NO.	QTY.	PART NO.	DESCRIPTION
		659386	Cylinder Assembly	11	1	6887	Nut
1	1	659387	Shell	12	1	659396	Piston
2	1	659397	Sleeve	•13	1	2791	O-Ring
3	4	652439	Bushing	•14	1	660785	Bearing
•4	1	2809	O-Ring	•15	2	636692	Nylon Ring
•5	1	615152	Back-up Ring	•16	1	555730	Seal
6	1	658111	Retainer	17	1	659394	Rod
•7	1	660777	Bearing	18	1	5204	Setscrew
•8	1	553521	Seal	19	1	6287	Lockwasher
•9	1	637565	Nylon Ring	20	1	5927	Jam Nut
•10	1	629608	Wiper Ring	•21	1	669245	Seal Loader
						659952	Service Kit

•Included in Service Kit 659952.



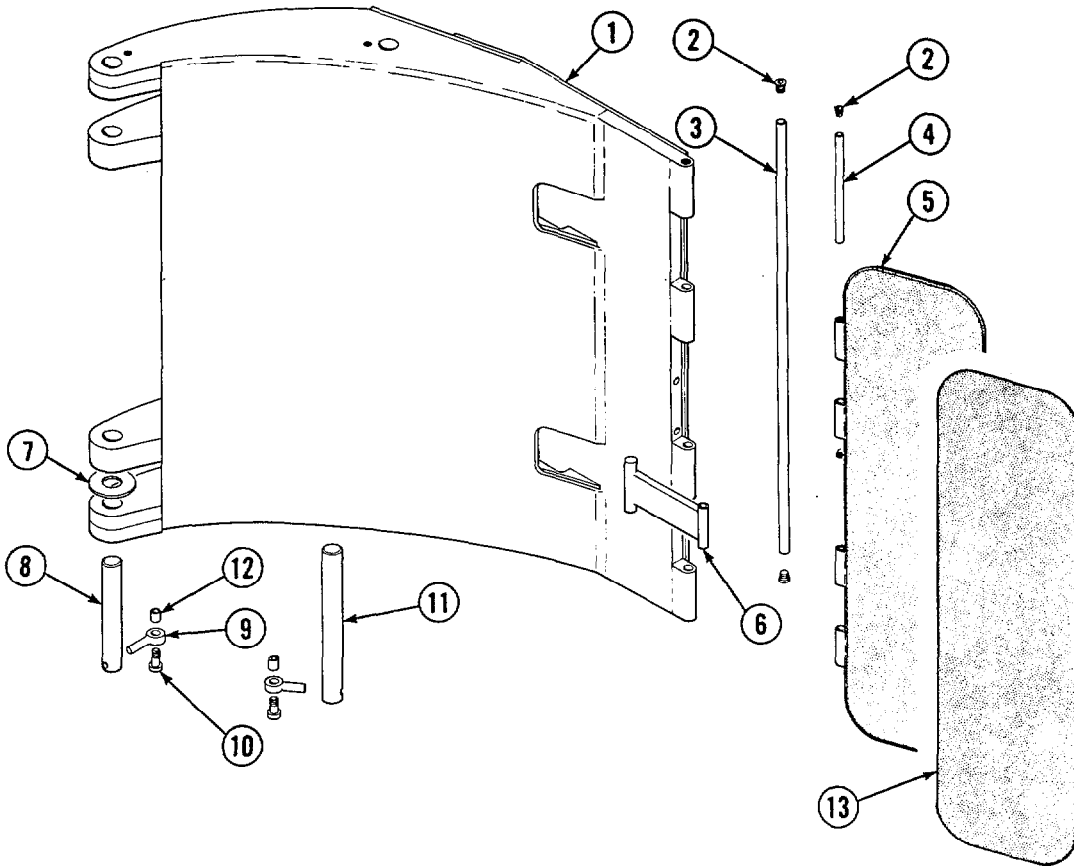
Long Arm



100D					
REF	QTY	60" Max. Roll Dia.	72" Max. Roll Dia.	84" Max. Roll Dia.	DESCRIPTION
		PART NO.	PART NO.	PART NO.	
		665943	659598	659507	Arm Assembly
1	1	665944	659600	659509	Arm Weldment
2	6	647175	647175	647175	Plug
3	1	659517	659517	659517	Pin
4	2	659518	659518	659518	Pin
5	1	667883	659487	659487	Contact Plate-Algrip
6	2	659633	659633	659623	Link
7	2	659533	659533	659533	Shim
8	2	659522	659522	659522	Pin
9	4	659376	659376	659376	Eye Bolt
10	4	665784	651090	651090	Shoulder Bolt
11	2	659521	659521	659521	Pin
12	4	665714	—	—	Sleeve
13	1	645502	659505	659505	Replacement Algrip Surface

2298h

Short Arm

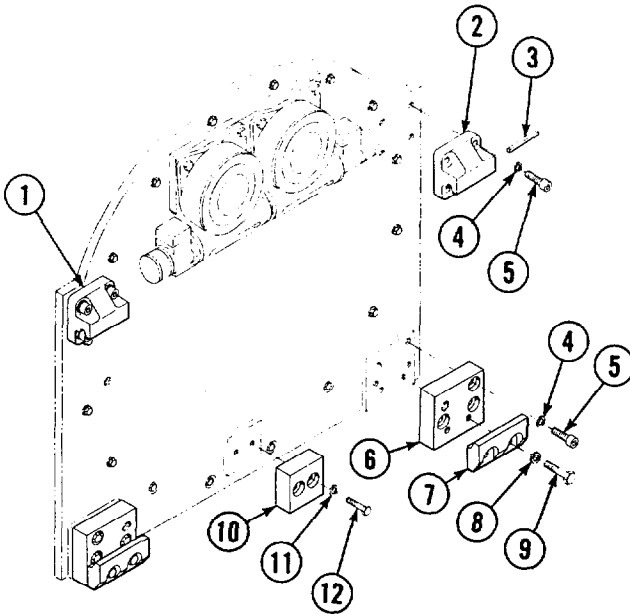
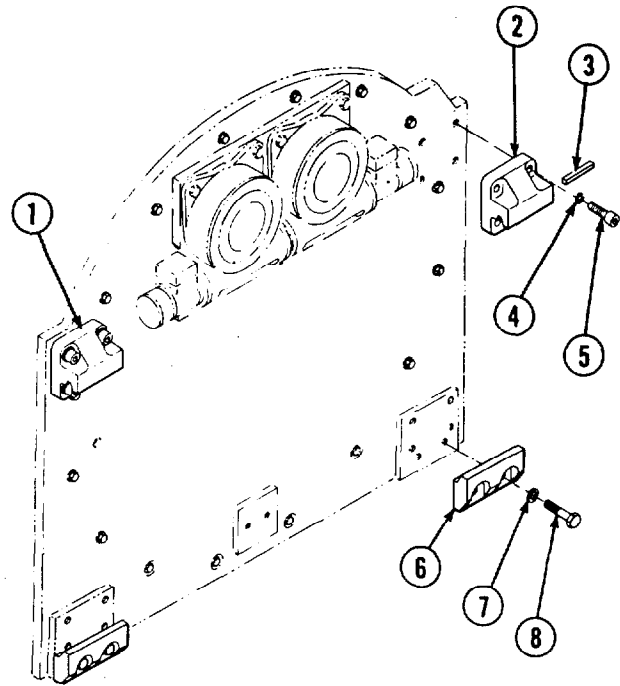


100D					
REF	QTY	60" Max. Roll Dia.	72" Max. Roll Dia.	84" Max. Roll Dia.	DESCRIPTION
		PART NO.	PART NO.	PART NO.	
		665954	659609	659520	Arm Assembly
1	1	665961	659611	659462	Arm
2	6	647175	647175	647175	Plug
3	1	659517	659517	659517	Pin
4	2	659518	659518	659518	Pin
5	1	667883	659487	659487	Contact Plate - Algrip
6	2	665985	659620	659513	Link
7	2	659533	659533	659533	Shim
8	2	659522	659522	659522	Pin
9	4	659376	659376	659376	Eye Bolt
10	4	665784	651090	651090	Shoulder Bolt
11	2	659521	659521	659521	Pin
12	4	665714	—	—	Sleeve
13	1	645502	659505	659505	Replacement Algrip Surface

22981

Mounting Groups

100D Class IV, 4°			
REF.	QTY.	PART NO.	DESCRIPTION
		670787	Mounting Group
1	1	670690	Upper Hook - L.H.
2	1	670691	Upper Hook - R.H.
3	1	670704	Stop Kit
4	8	6448	Lockwasher
5	8	607104	Capscrew, 3/4 NC x 1.75 GR8
6	2	670694	Lower Hook
7	4	670692	Washer
8	4	670693	Capscrew, 3/4 NC x 1.75 GR5



100D Class IV, 0°			
REF.	QTY.	PART NO.	DESCRIPTION
		670788	Mounting Group
1	1	670690	Upper Hook - L.H.
2	1	670691	Upper Hook - R.H.
3	1	670704	Stop Kit
4	14	6448	Lockwasher
5	14	607104	Capscrew, 3/4 NC x 1.75 GR8
6	1	672700	Adapter Plate - R.H.
7	2	670694	Lower Hook
8	4	670692	Washer
9	4	670693	Capscrew, 3/4 NC x 1.75 GR5
10	1	670695	Bumper
11	2	6290	Lockwasher
12	2	3657	Capscrew, 1/2 NC x 2.0
13	1	672699	Adapter Plate - L.H.

NOTES

Do you have questions you need answered right now? Call your nearest Cascade Parts Department.

Cascade Corporation
2501 Sheridan Avenue
P.O. Box 360
Springfield, Ohio 45505
Tel.: (513) 322-1199
Telex: 205413

**Cascade Scandinavia
Hydraulik A.B.**
Musköetgatan 17-(E.8-9)
252 55 Helsingborg
Sweden
Tel.: 042-151135
Telex: 72565 caschbg s

Cascade Hydraulics Ltd.
7615 Kimbel Street
Mississauga, Ontario
Canada L5S-1A8
Tel: 416/677-9695
Direct Parts Line:
416/677-9686
416/677-9684
Te/Ac: 06-968715

Cascade Japan Ltd.
4-1, 1-Chome,
Shin Senri Higashimachi
Toyonaka, Osaka 565
Japan
Tel.: 06-835-2900
Te/Ac: 781-5287115 Cascade J
Cable: Cascadecfe, Osaka

**Cascade N.V.
European Headquarters**
P.O. Box 50086
1305 AB Almere-Haven
Achterwerf 240
1357 CB Almere-Haven
The Netherlands
Tel.: 03240-92911
Telex: 40838 case nl

Cascade France S.A.R.L.
11, rue Jean Charcot
Zone Industrielle Sud
B.P. 22
91421 Morangis Cedex
France
Tel.: 06-9091139
Telex: cascade 6900161

**Cascade Materials Handling
(Aust.) Pty. Ltd.
(Incorporated in N.S.W.)**
121 Long Street
Smithfield, N.S.W. 2164
Australia
Tel.: 02-604-6222
Te/Ac: (790)24302
Cable: Cascaus

**Cascade N.V.
Benelux Sales and Service**
P.O. Box 170
1110 AD Diemen
Weesperstraat 110
1112 AP Diemen
The Netherlands
Tel.: 020-906411
Telex: 14495 casc nl

Cascade (Iberia) S.A.
Nave Industrial
Calle Cromo 99/Nave G
Hospitalet de Llobregat
(Barcelona)
Spain
Tel.: 93-3350567
Telex: 54018 casc e

**Cascade Materials Handling
(Aust.) Pty. Ltd.**
44E Winterton Road
Clayton, Victoria 3168
Australia
Tel.: 03-543-4344
Cable: Casmel

Cascade GmbH
Klosterhofweg 52
4050 Mönchengladbach 3
B.R. Deutschland
Tel.: 02166-602091
Telex: 852812 casc d

Cascade (UK) Ltd.
15, Orgreave Crescent
Dore House Industrial Estate
Handsworth
Sheffield S13 9NQ
England
Tel.: 0742-697524/5/6/7
Telex: 547254 cascs h g

Cascade (Africa) Pty. Ltd.
P.O. Box 625
15 Power Street
Isando 1600
South Africa
Tel.: 011-974-5611/2/3/4/5
Telex: 4-29718 S.A.

