

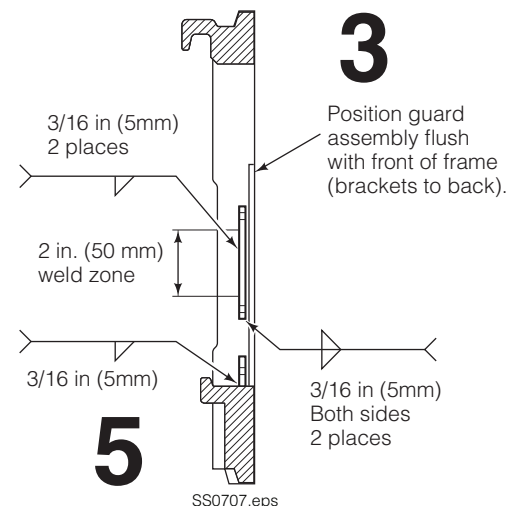
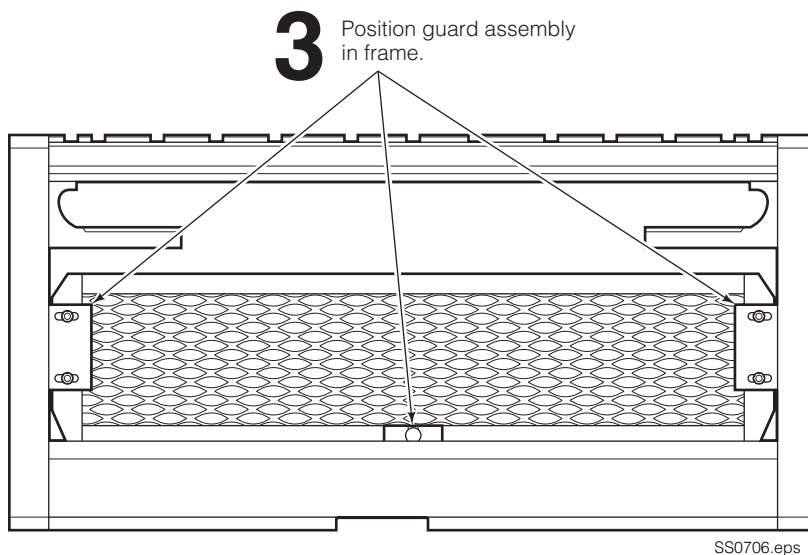
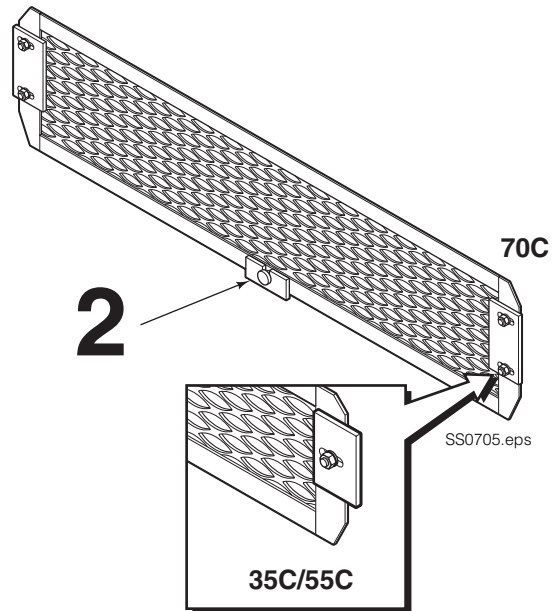


Installation Instructions

Integral Sideshifter Guard Kits 6071829 (35C/55C) and 6072063 (70C)

This sheet provides instructions for field installing a hydraulic component guard to a Cascade 35C, 55C, and 70C Integral Sideshifter. The kit contains fasteners and brackets to mount the guard. The brackets must be welded to the sideshifter outer frame.

- 1 Remove the sideshifter outer frame from the integral carriage.
- 2 Assemble the three brackets to the back of the guard.
- 3 Position the guard assembly inside the frame making sure that each bracket touches the frame. The guard should be flush with the front surface of the frame, with the brackets on the back side of the guard. Clean areas next to brackets for welding.
- 4 Tack weld the brackets to the frame.
- 5 Lay the frame face down. Weld the brackets to the frame with 3/16 in. (5mm) fillet welds. Clean and repaint welds areas.



cascade[®]
corporation

For Technical Support . . .

Call: 1-800-227-2233

OR

Write: Cascade Corporation, P.O. Box 20187, Portland, OR 97294

To Order Parts . . .

Call: 1-888-227-2233

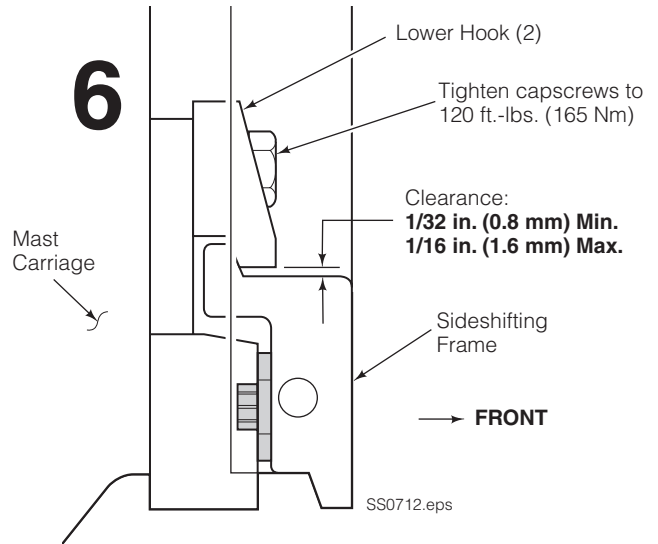
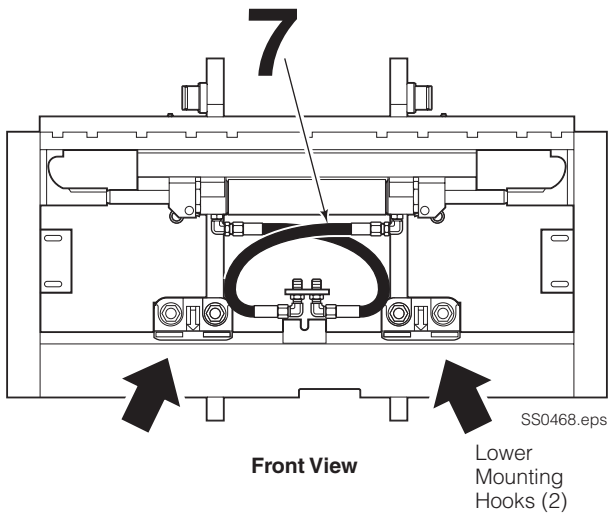
OR

Write: Cascade Corporation, 2501 Sheridan Ave., Springfield, OH 45505

- 6** Install the frame on the integral carriage. Install and adjust lower hooks as shown below. Tighten the capscrews to 120 ft.-lbs. (165 Nm).

CAUTION: Lower hook clearance must be adjusted as shown for proper Sideshifter operation.

Lubricate both upper and lower Sideshifter bearings with general-purpose lithium-based chassis grease.



- 7** Remove the guard to install the hoses. Reinstall the guard. Tighten the guard capscrews to 15 ft.-lbs. (20 Nm).

