



Parts Manual

Model 80D Rotator

Serial Number 80D-RRB-114

cascade[®]
corporation

For Technical Assistance call: 800-227-2233, Fax: 888-329-8207

To Order Parts call: 888-227-2233, Fax: 888-329-0234

OR

Write: Cascade Corporation, P.O. Box 20187, Portland, OR 97220

Internet: www.cascorp.com

Safety Decals



| REF | QTY | PART NO. | DESCRIPTION |
|-----|-----|----------|---------------|
| 1 | 1 | 679150 | No Step Decal |

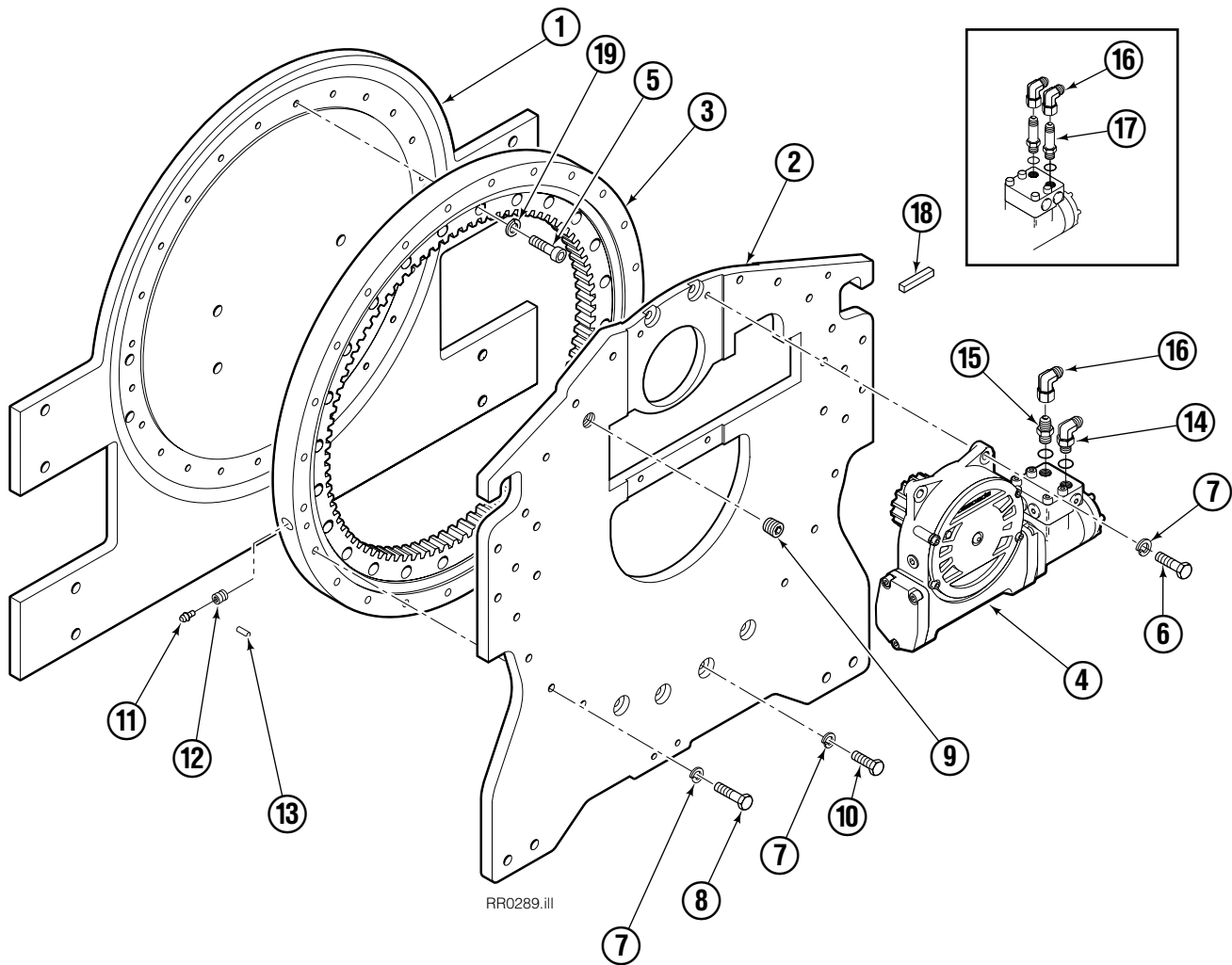
Publications



GA0006.eps

| PART NO. | DESCRIPTION |
|----------|-----------------------------|
| 672946 | Service Manual |
| 672714 | Operators Guide |
| 668987 | Installation Instructions |
| 679929 | Tool Catalog |
| 673964 | Literature Index Order Form |

Rotator Group



80D

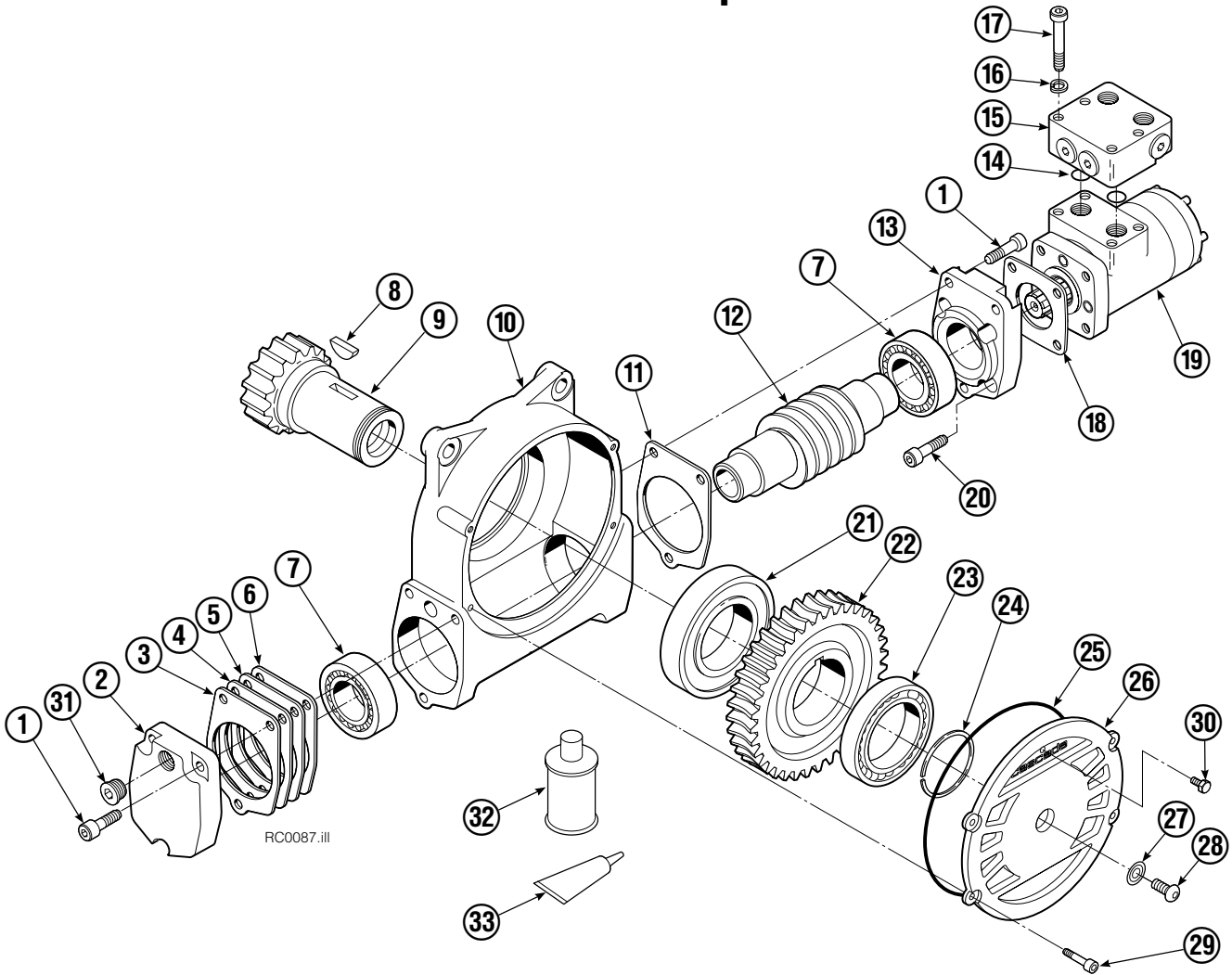
| REF | QTY | PART NO. | DESCRIPTION | REF | QTY | PART NO. | DESCRIPTION |
|-----|-----|----------|--------------------------------|-----|-----|----------|-------------------------------|
| | | 6011440 | Rotator Group | 12 | 1 | 204167 | Plug |
| 1 | 1 | 6011431 | Faceplate | 13 | 1 | 670681 | Drive Pin |
| 2 | 1 | 6001818 | Baseplate | 14 | 2 | 605761 | Fitting, 8-8 SAE |
| 3 | 1 | 213983 | Bearing Assembly | 15 | 1 | 601250 | Fitting, 8-8 SAE |
| 4 | 1 | 212308 | Drive Group - 2.2 c.i. Motor ■ | 16 | 2 | 601377 | Fitting, 8-8 SAE |
| 5 | 24 | 213902 | Capscrew, M12 x 45 | 17 | 2 | 765492 | Fitting, 8 SAE - M10 L-Series |
| 6 | 4 | 211689 | Capscrew, M12 x 30 | | 2 | 765493 | Fitting, 8 SAE - M12 L-Series |
| 7 | 28 | 683822 | Lockwasher, M12 | | 2 | 756920 | Fitting, 8 SAE - M12 S-Series |
| 8 | 18 | 213900 | Capscrew, M12 x 60 | | 2 | 611295 | Fitting, 8-8 SAE |
| 9 | 1 | 6605 | Fitting, 3/4 in. | 18 | 1 | 669344 | Stop Block Kit |
| 10 | 6 | 209684 | Capscrew, M12 x 50 | 19 | 24 | 678991 | Lockwasher, M12 |
| 11 | 1 | 7401 | Grease Fitting | | | | |

■ See Drive Group page for parts breakdown.

Reference: Rotator Baseplate Group 6001867.

Reference: Fitting Groups 212367, 212505, 212506, 212507.

Drive Group



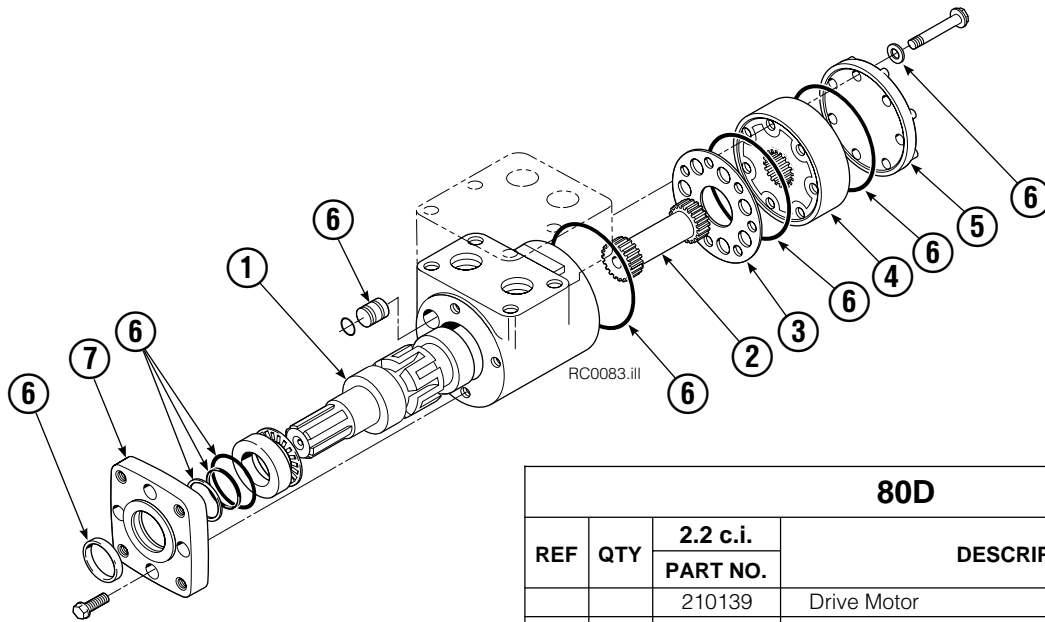
| 80D | | | | | | | |
|-----|-----|----------|---------------------------------|-----|-----|----------|---|
| REF | QTY | PART NO. | DESCRIPTION | REF | QTY | PART NO. | DESCRIPTION |
| | | 212308 | Drive Group with 2.2 c.i. Motor | 19 | 1 | 210139 | Drive Motor – 2.2 c.i. ▲ |
| 1 | 6 | 768826 | Capscrew, M12 x 25 | 20 | 4 | 4468 | Capscrew, 3/8 NC x .75 GR8 |
| 2 | 1 | 795258 | Cover | 21 | 1 | 670580 | Bearing |
| 3 | ● | 674513 | Shim – .005" (blue) | 22 | 1 | 675609 | Worm Gear |
| 4 | ● | 670574 | Shim – .010" (brown) | 23 | 1 | 670581 | Bearing |
| 5 | ● | 671757 | Shim – .015" (pink) | 24 | 1 | 7214 | Snap Ring |
| 6 | ● | 671758 | Shim – .020" (yellow) | 25 | 1 | 204970 | Gasket |
| 7 | 2 | 670579 | Bearing | 26 | 1 | 775552 | Cover |
| 8 | 1 | 670582 | Key | 27 | 1 | 783609 | Seal |
| 9 | 1 | 670506 | Pinion | 28 | 1 | 783608 | Capscrew, M12 x 16 |
| 10 | 1 | 775551 | Housing | 29 | 4 | 775639 | Capscrew, M8 x 20 |
| 11 | 1 | 686465 | Gasket | 30 | 1 | 644010 | Relief Fitting |
| 12 | 1 | 675608 | Worm | 31 | 1 | 602580 | Fitting, 8 |
| 13 | 1 | 775553 | Adapter | 32 | 1 | 656300 | Gear Box Lube – 48 oz. |
| 14 | 2 | 2705 | O-Ring | 33 | 1 | 668184 | Sealant |
| 15 | 1 | 670549 | Check Valve ▼ | | | 670578 | Shim Service Kit (items 3-6,11,25,33) |
| 16 | 4 | 6444 | Lockwasher | | | 675637 | Bearing Service Kit (items 21 & 33) |
| 17 | 4 | 607059 | Capscrew, 5/16 NC x 1.75 GR8 | | | 675638 | Bearing Service Kit (items 3-7,11,25) |
| 18 | 1 | 670575 | Gasket | | | 212919 | Motor Kit-2.2 (items 11,14,18,19,20,33) |

● Quantity as required.

▲ See Drive Motor page for parts breakdown.

▼ See Check Valve page for parts breakdown.

Drive Motor

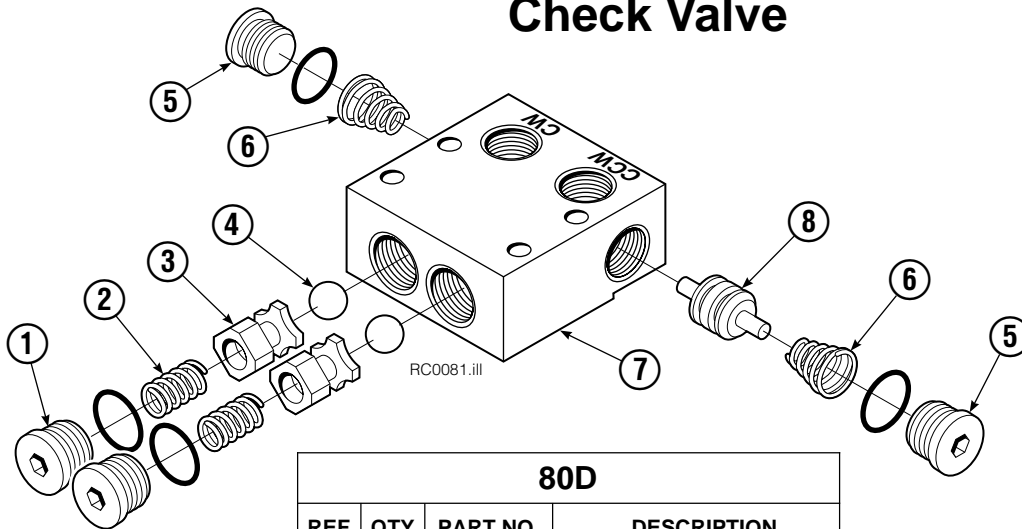


| 80D | | | |
|-----|-----|----------------------|---------------------|
| REF | QTY | 2.2 c.i. PART NO. | DESCRIPTION |
| | | 210139 | Drive Motor |
| 1 | 1 | 675478 | Shaft |
| 2 | 1 | 675477 | Drive Link |
| 3 | 1 | 211528 | Spacer Plate |
| 4 | 1 | 210137 | Geroler/Gerotor Set |
| 5 | 1 | 211527 | End Cap |
| 6 | 1 | 206405 | Service Kit ● |
| 7 | 1 | 685090 | Flange |

Cascade provides service replacement parts for the listed parts only. Due to cost, if others parts need replacement, the complete Drive Motor should be replaced.

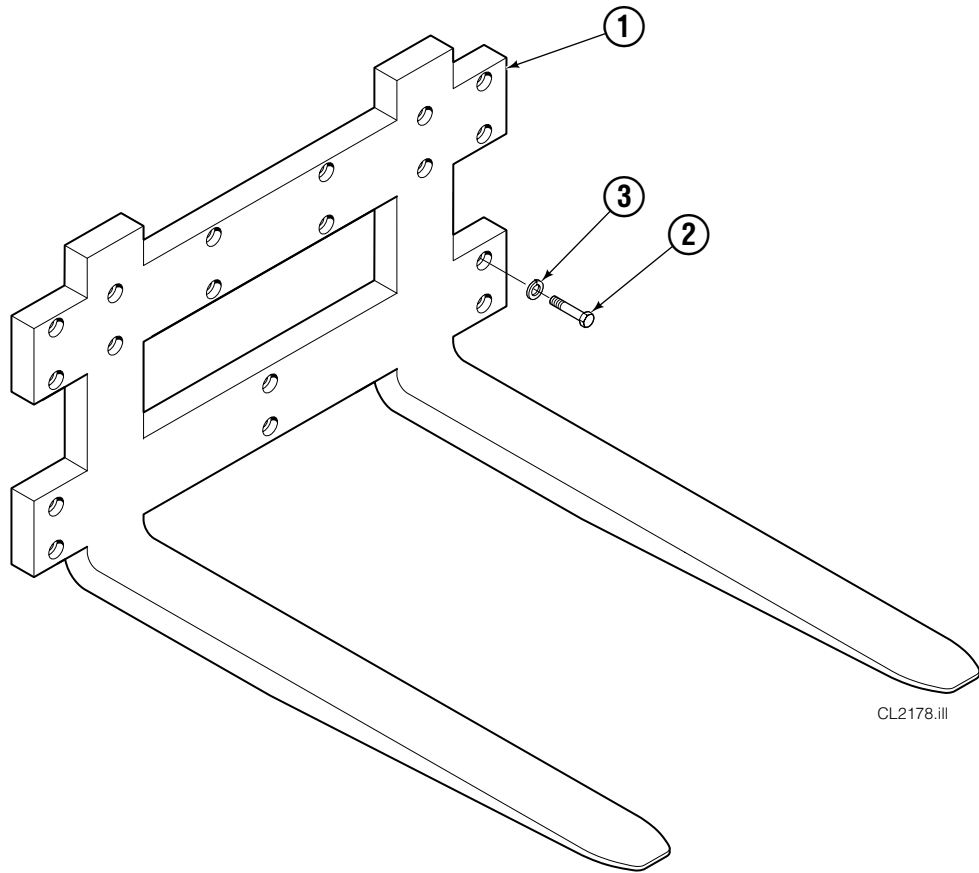
● Compatible with water glycol based hydraulic fluids.

Check Valve



| 80D | | | |
|-----|-----|----------|----------------------|
| REF | QTY | PART NO. | DESCRIPTION |
| | | 670549 | Check Valve Assembly |
| 1 | 2 | 609453 | Fitting, 10 |
| 2 | 2 | 670552 | Spring |
| 3 | 2 | 670551 | Guide |
| 4 | 2 | 7020 | Ball |
| 5 | 2 | 602580 | Fitting, 8 |
| 6 | 2 | 673989 | Spring |
| 7 | 1 | 670550 | Body |
| 8 | 1 | 670553 | Spool |

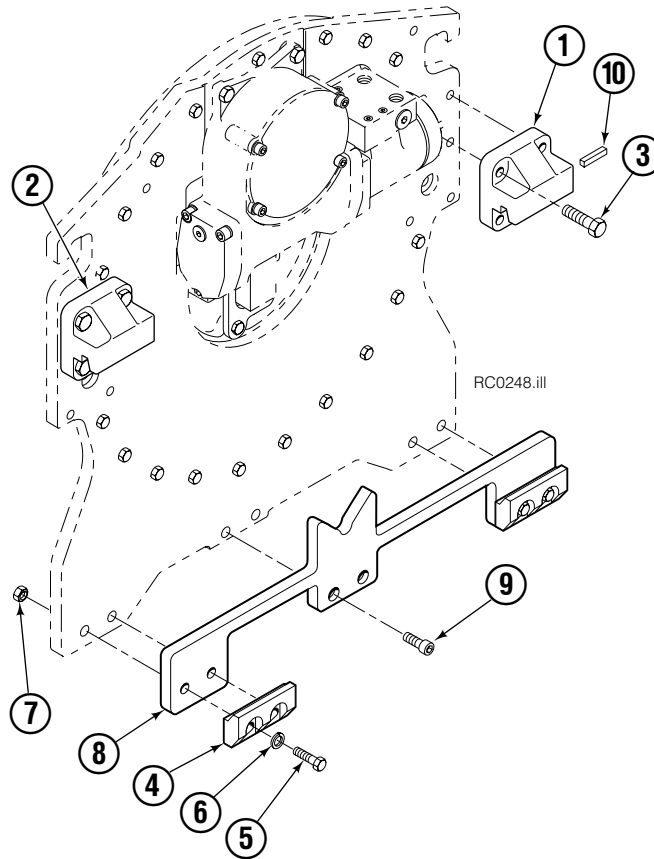
Fork Group



CL2178.ill

| 80D | | | |
|-----|-----|----------|---------------------|
| REF | QTY | PART NO. | DESCRIPTION |
| | | 6011433 | Fork Weldment Group |
| 1 | 1 | 6011434 | Fork Weldment |
| 2 | 18 | 769579 | Capscrew, M20 x 40 |
| 3 | 18 | 779506 | Lockwasher, M20 |

Mounting Group



| Class III, 0° | | | |
|---------------|-----|----------|--------------------|
| REF | QTY | PART NO. | DESCRIPTION |
| | | 209927 | Mounting Group |
| 1 | 1 | 209932 | Upper Hook – RH |
| 2 | 1 | 209933 | Upper Hook – LH |
| 3 | 8 | 779010 | Capscrew, M16 x 35 |
| 4 | 2 | 675969 | Lower Hook |
| 5 | 4 | 210005 | Capscrew, M16 x 90 |
| 6 | 4 | 667225 | Washer, .625 |
| 7 | 4 | 781534 | Nut, M16 |
| 8 | 1 | 209937 | Spacer |
| 9 | 2 | 788377 | Capscrew, M12 x 45 |
| 10 | 1 | 669344 | Stop Kit |

Do you have questions you need answered right now? Call your nearest Cascade Parts Department. Visit us online at www.cascorp.com

Cascade Corporation
2501 Sheridan Avenue
Springfield, OH 45505
Tel: 888-CASCADE (227-2233)
FAX: 888-329-0234

Cascade Canada Inc.
5570 Timberlea Blvd.
Mississauga, Ontario
Canada L4W-4M6
Tel: 905-629-7777
FAX: 905-629-7785

Cascade GmbH
D-41199 Monchengladbach
Klosterhofweg 52
Germany
Tel: 49-216-668230
FAX: 49-216-6682323

Cascade Finland
Albert Petreliuksenkatu 3
01370 Vantaa
Finland
Tel: 358-9-836-1925
FAX: 358-9-836-1935

**Cascade N.V.
European Headquarters**
P.O. Box 3009
1300 El Almere
Damluisweg 56
1332 ED Almere
The Netherlands
Tel: 31-36-5492911
FAX: 31-36-5492964

**Cascade N.V.
Benelux Sales and Service**
P.O. Box 3009
1300 El Almere
Damluisweg 56
1332 ED Almere
The Netherlands
Tel: 31-36-5492950
FAX: 31-36-5492974

Cascade (UK) Ltd.
15, Orgreave Crescent
Dore House Industrial Estate
Handsworth
Sheffield S13 9NQ
England
Tel: 742-697524
FAX: 742-695121

Cascade Scandinavia AB
Box 124
Hammarvägen 10
567 23 Vaggeryd
Sweden
Tel: 42-0-393-36950
FAX: 46-0-393-36959

Cascade Norway
Østerliveien 37A
1153 Oslo
Norway
Tel: 47-22-743160
FAX: 47-22-743157

Cascade France S.A.R.L.
1D Rue De Charaintru
BP 18, 91360 Epinay-Sur-Orge
Morangis Cedex, France
Tel: 33-1- 64547500
FAX: 33-1-64547501

Cascade Hispania S.A.
Carrer 5 Sector C
Zona Franca Duanera
Poligono de la Zon Franca
08040 Barcelona, Spain
Office No. 256
Tel: 93-264-07-30
FAX: 93-264-07-31

Cascade Japan Ltd.
5-5-41,
Torikai Kami
Settsu, Osaka
Japan, 566
Tel: 81-726-53-3490
FAX: 81-726-53-3497

Cascade Korea
108B, Namdong Ind Complex
658-3 Gojan-Dong
Namdong-Gu
Inchon, 405-310 Korea
Tel: 82-32-821-2051
FAX: 82-32-821-2055

Cascade Australia
1445 Ipswich Road
Rocklea, QLD 4106
Australia
Tel: 1-800227-223
FAX: (07) 3373-7333

Cascade New Zealand
15 Ra Ora Drive
East Tamaki, Auckland
New Zealand
Tel: 9-273-9136
FAX: 9-273-9137

Cascade (Africa) Pty. Ltd.
P.O. Box 625, Isando 1600
60A Steel Road
Sparton, Kempton Park
South Africa
Tel: 27-11-975-9240
FAX: 27-11-394-1147

Cascade-Xiamen
No. 668 Yangguang Rd.
Xinyang Industrial Zone
Haicang, Xiamen City
Fujian Province
P.R. China 361026
Tel: 86-592-651-2500
FAX: 86-592-651-2571

**Cascade (Singapore)
Trading Co.**
Four Seasons Park
Autumn Block - Apt. 1802
12 Cuscaden Walk
Singapore
Tel: 65-834-1935
FAX: 65-834-1936

