



Parts Manual

Model _____ Fork Positioner

Serial Number _____ 55F-FPB-156

cascade[®]
corporation

For Technical Assistance call: 800-227-2233, Fax: 888-329-8207

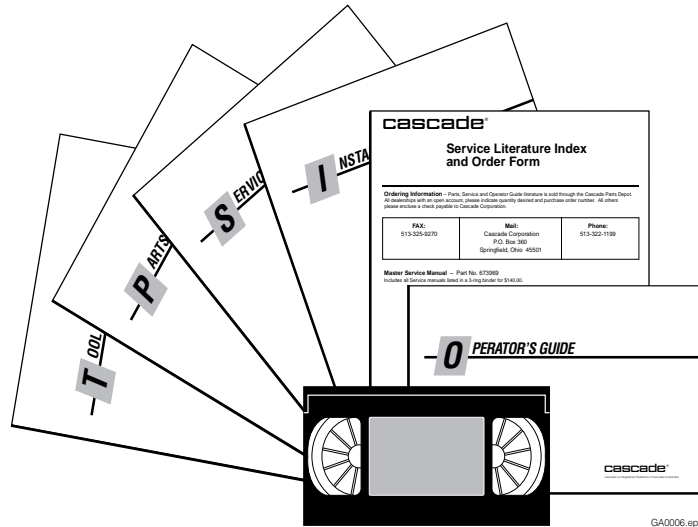
To Order Parts call: 888-227-2233, Fax: 888-329-0234

OR

Write: Cascade Corporation, P.O. Box 20187, Portland, OR 97220

Internet: www.cascorp.com

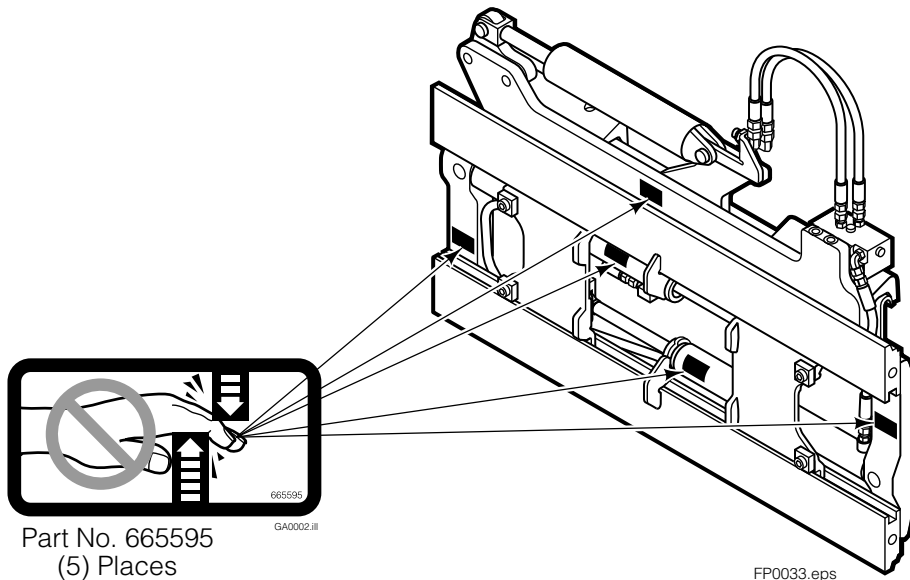
Publications



GA0006.eps

55F	
PART NO.	DESCRIPTION
	Parts Manual
208743	Service Manual
688260	Operator's Guide
207360	Installation Instructions
680663	Servicing Cascade Cylinders-VHS
679920	Tool Catalog
673964	Literature Index Order Form

Safety Decals

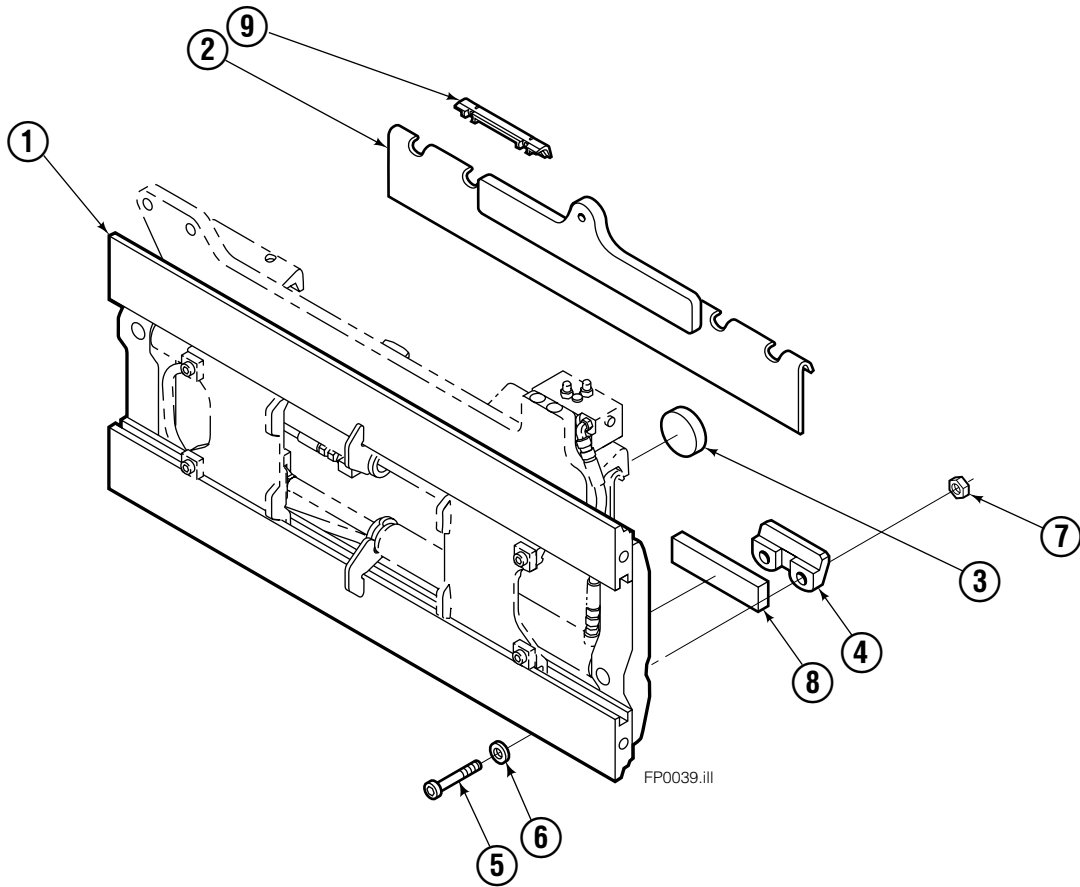


Part No. 665595
(5) Places

GA0002.ill

FP0033.eps

Mounting Group Non-Sideshifting

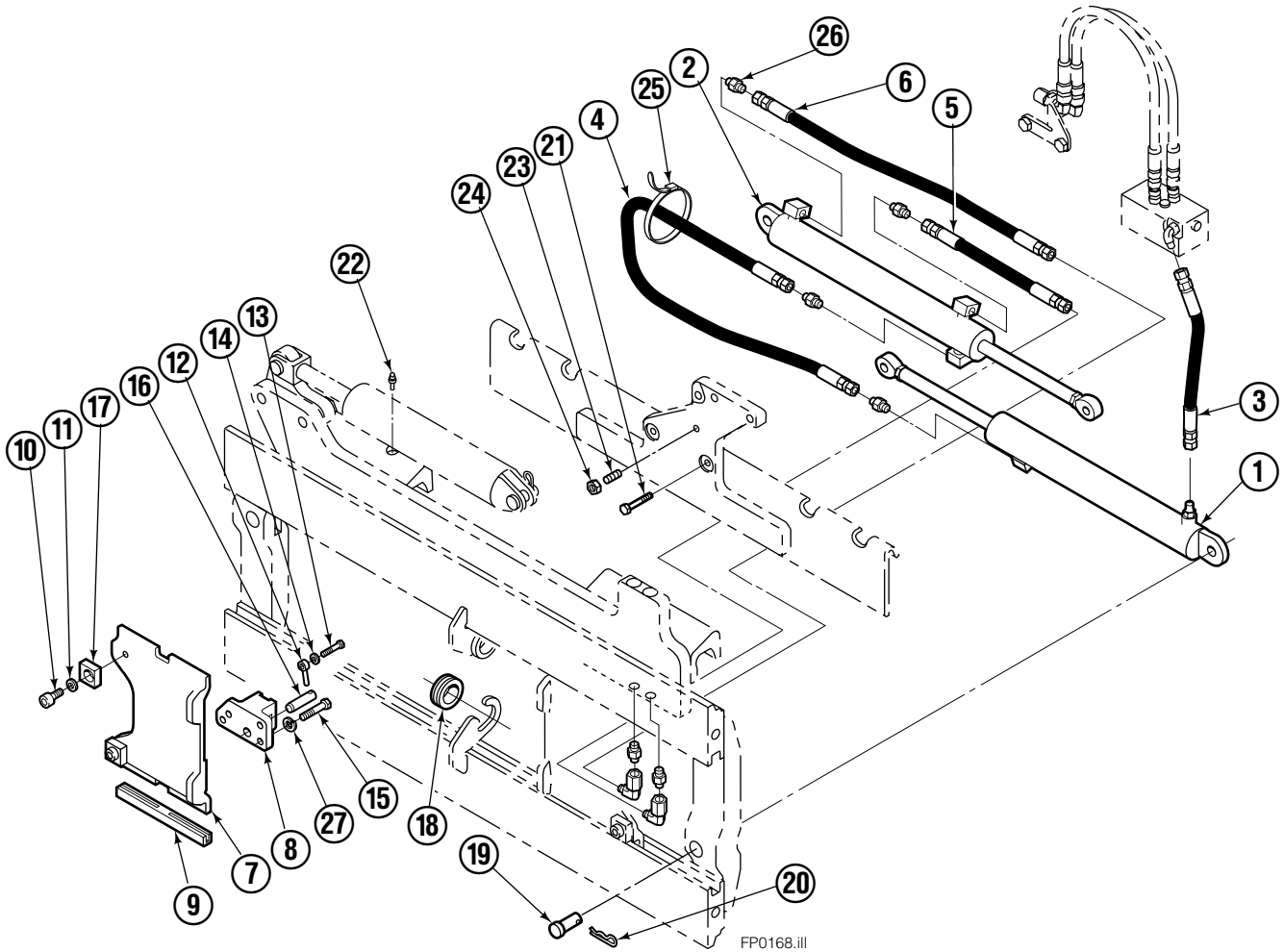


Reference:
BC-101
SK-5981

55F							
REF	QTY	PART NO.	DESCRIPTION	REF	QTY	PART NO.	DESCRIPTION
		207334●	Non-Sideshifting Mounting-37" ■	5	4	766154	Capscrew, M16x2,0x40-8.8
1	1	395315	Frame-37" ■	6	4	667225	Washer
2	1	207192	Anchor Bracket-37" ■	7	4	678990	Nut
3	1	206917	Center Bearing-49" only	8	2	207209	Lower Bearing
4	2	204186	Lower Hook	9	2	204187	Upper Bearing

- Carriage width.
- Includes items 2 through 9.

Hydraulic/Fork Group



55F							
REF	QTY	PART NO.	DESCRIPTION	REF	QTY	PART NO.	DESCRIPTION
		207220	Hydraulic Group – 37 in. ■ ●	14	2	209737	Lockwasher, M6
		6104872	Fork Group □	15	8	767961	Capscrew, M8 x 16
1	1	583943	Cylinder Assembly, LH ◆	16	2	206925	Pin
2	1	583951	Cylinder Assembly, RH ◆	17	4	207552	Block
3	1	207563	Hose	18	2	206916	Grommet
4	1	207564	Hose	19		--	Clevis Pin
5	1	207565	Hose	20	2	207210	Hairpin Cotter
6	1	207566	Hose	21	1	768551	Capscrew, M10 x 10
7	2	207208	Fork Carrier	22	2	7403	Grease Fitting
8	2	206914	Lug	23	1	768753	Setscrew
9	4	206915	Bearing	24	1	207211	Jam Nut
10	4	203406	Capscrew, M12 x 16	25	1	200008	Cable Tie
11	4	678991	Lockwasher, M12	26		--	Fitting, 4-4
12	2	206923	Eyebolt	27	8	209738	Lockwasher, M8
13	2	763169	Capscrew, M6 x 20				

■ Carriage width.

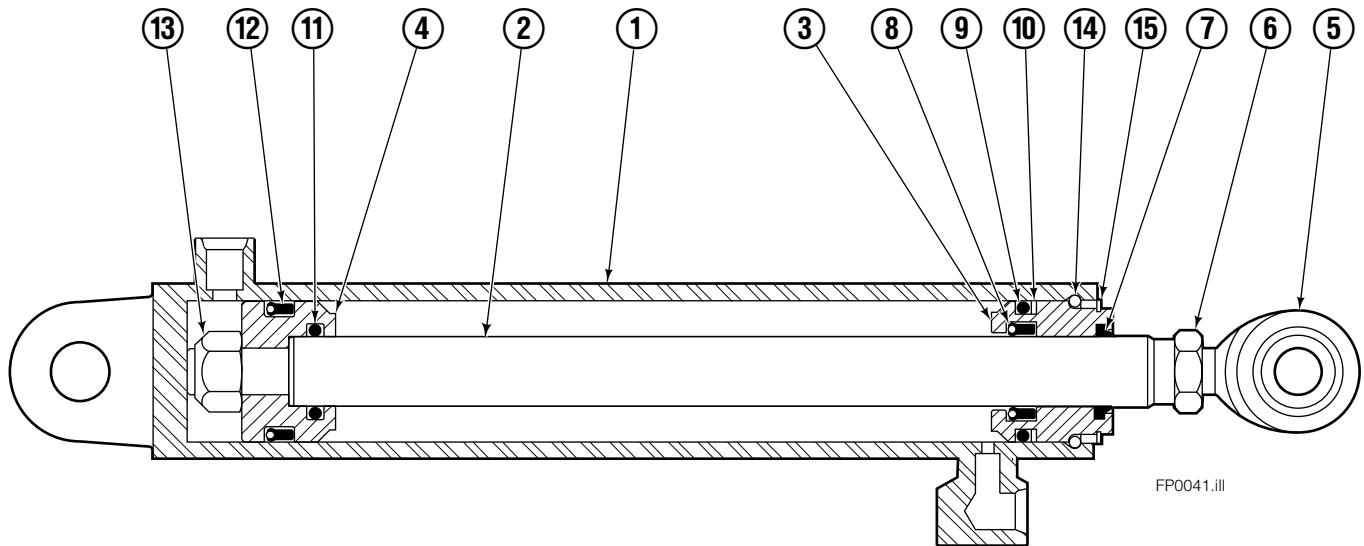
◆ See Cylinder page for parts breakdown.

Reference: BC-101, S-5981, S-3990.

● Includes items 1 through 6.

□ Includes items 7 through 27.

Left Hand Cylinder



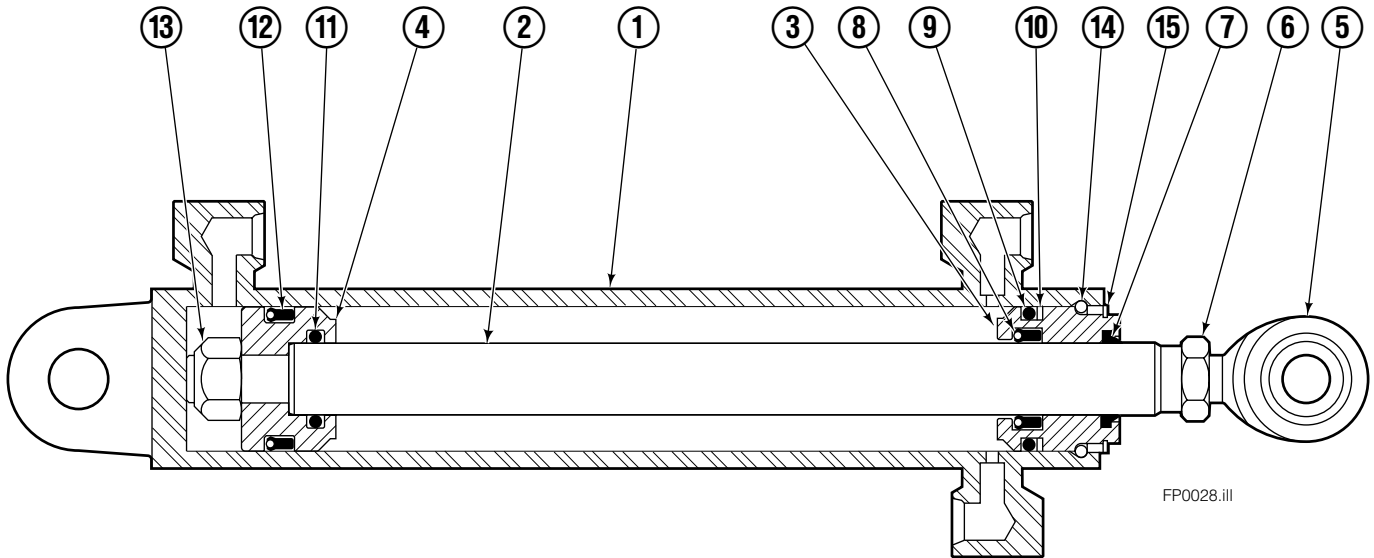
55F			
REF	QTY	PART NO.	DESCRIPTION
		583943	Cylinder Assembly – 37" ■
1	1	564168	Shell – 37" ■
2	1	564184	Rod – 37" ■
3	1	684644	Retainer
4	1	685665	Piston
5	1	564193	● Rod End
6	1	5718	● Nut
7	1	636850	● Rod Wiper
8	1	646540	● Rod Seal
9	1	2718	● O-Ring
10	1	615122	● Back-up Ring
11	1	2710	● O-Ring
12	1	633728	● Piston Seal
13	1	563462	Piston Nut
14	1	563916	Retaining Ring
15	1	3137	Snap Ring
		684827	Service Kit

■ Carriage width.

● Included in Service Kit 684827.

Reference: 2S-3990.

Right Hand Cylinder



FP0028.ill

55F

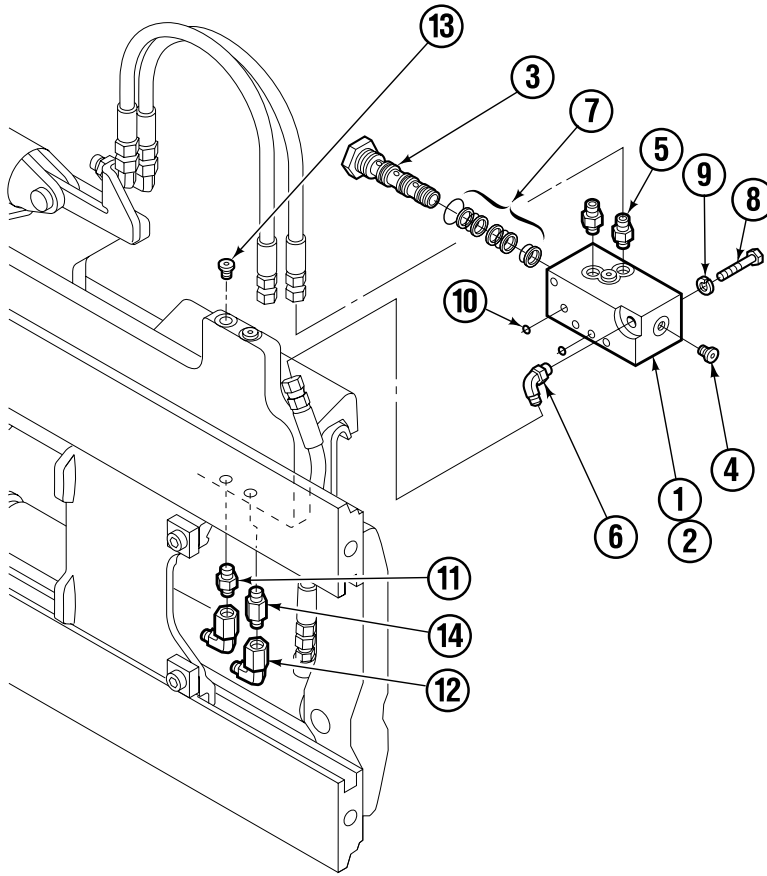
REF	QTY	PART NO.	DESCRIPTION
		583951	Cylinder Assembly - 37" ■
1	1	564176	Shell - 37" ■
2	1	564184	Rod - 37" ■
3	1	684644	Retainer
4	1	685665	Piston
5	1	564193	● Rod End
6	1	5718	● Nut
7	1	636850	● Rod Wiper
8	1	646540	● Rod Seal
9	1	2718	● O-Ring
10	1	615122	● Back-up Ring
11	1	2710	● O-Ring
12	1	633728	● Piston Seal
13	1	563462	Piston Nut
14	1	563916	Retaining Ring
15	1	3137	Snap Ring
		684827	Service Kit

■ Carriage width.

● Included in Service Kit 684827.

Reference: 2S-3990.

Flow Divider Group

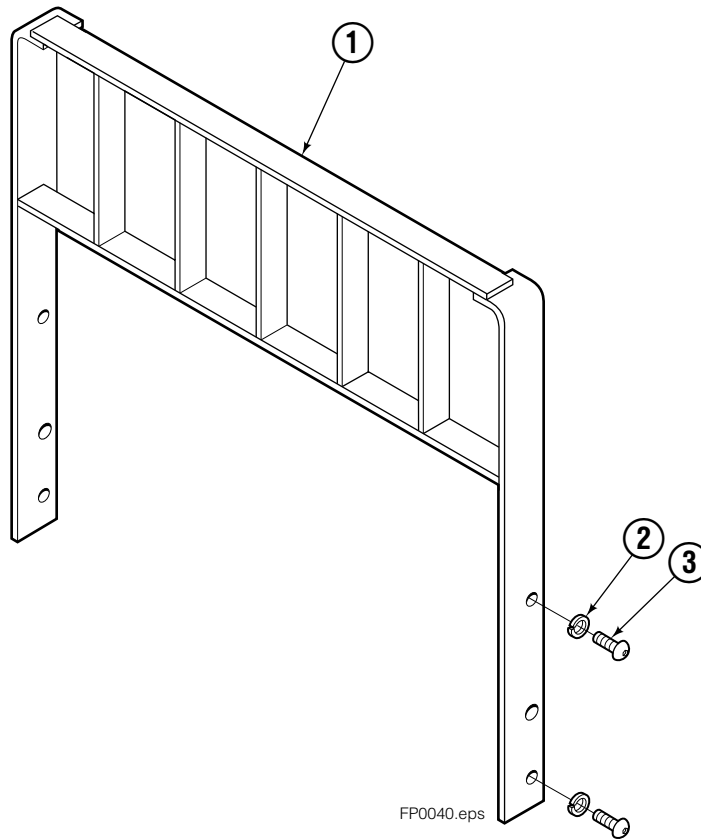


FP0035.iii

55F			
REF	QTY	PART NO.	DESCRIPTION
		206921	Flow Divider Group
1	1	206919	Valve ■
2	1	206918	Valve Body
3	1	207301	Cartridge-Combiner
4	2	663694	Fitting, 3
5	2	617915	Fitting, 4-4
6	1	617917	Fitting, 4-4
7	1	679992	Service Kit
8	3	685105	Capscrew
9	3	678993	Lockwasher
10	2	207300	O-Ring
11	6	617915	Fitting, 4-4
12	2	617641	Fitting, 4-4
13	2	609234	Fitting, 4-4
14	1	617916	Fitting, 4-4

■ Includes items 1 through 7.

Backrests



55F			
REF	QTY	PART NO.	DESCRIPTION
1	1	207127	Backrest-37"x36"■
2	4	684586	Lockwasher
3	4	200173	Capscrew

■ Width by Height.
Ref: 3S-3979.

Do you have questions you need answered right now? Call your nearest Cascade Parts Department. Visit us online at www.cascorp.com

Cascade Corporation
2501 Sheridan Avenue
Springfield, OH 45505
Tel: 888-CASCADE (227-2233)
FAX: 888-329-0234

Cascade Canada Inc.
5570 Timberlea Blvd.
Mississauga, Ontario
Canada L4W-4M6
Tel: 905-629-7777
FAX: 905-629-7785

Cascade GmbH
D-41199 Monchengladbach
Klosterhofweg 52
Germany
Tel: 49-216-668230
FAX: 49-216-6682323

Cascade Finland
Albert Petreliuksenkatu 3
01370 Vantaa
Finland
Tel: 358-9-836-1925
FAX: 358-9-836-1935

**Cascade N.V.
European Headquarters**
P.O. Box 3009
1300 El Almere
Damsluisweg 56
1332 ED Almere
The Netherlands
Tel: 31-36-5492911
FAX: 31-36-5492964

**Cascade N.V.
Benelux Sales and Service**
P.O. Box 3009
1300 El Almere
Damsluisweg 56
1332 ED Almere
The Netherlands
Tel: 31-36-5492950
FAX: 31-36-5492974

Cascade (UK) Ltd.
15, Orgreave Crescent
Dore House Industrial Estate
Handsworth
Sheffield S13 9NQ
England
Tel: 742-697524
FAX: 742-695121

Cascade Scandinavia AB
Box 124
Hammarvägen 10
567 23 Vaggeryd
Sweden
Tel: 42-0-393-36950
FAX: 46-0-393-36959

Cascade Norway
Østerliveien 37A
1153 Oslo
Norway
Tel: 47-22-743160
FAX: 47-22-743157

Cascade France S.A.R.L.
1D Rue De Charaintru
BP 18, 91360 Epinay-Sur-Orge
Morangis Cedex, France
Tel: 33-1- 64547500
FAX: 33-1-64547501

Cascade Hispania S.A.
Carrer 5 Sector C
Zona Franca Duanera
Poligono de la Zon Franca
08040 Barcelona, Spain
Office No. 256
Tel: 93-264-07-30
FAX: 93-264-07-31

Cascade Japan Ltd.
5-5-41,
Torikai Kami
Settsu, Osaka
Japan, 566
Tel: 81-726-53-3490
FAX: 81-726-53-3497

Cascade Korea
108B, Namdong Ind Complex
658-3 Gojan-Dong
Namdong-Gu
Inchon, 405-310 Korea
Tel: 82-32-821-2051
FAX: 82-32-821-2055

Cascade Australia
1445 Ipswich Road
Rocklea, QLD 4106
Australia
Tel: 1-800227-223
FAX: (07) 3373-7333

Cascade New Zealand
15 Ra Ora Drive
East Tamaki, Auckland
New Zealand
Tel: 9-273-9136
FAX: 9-273-9137

Cascade (Africa) Pty. Ltd.
P.O. Box 625, Isando 1600
60A Steel Road
Sparton, Kempton Park
South Africa
Tel: 27-11-975-9240
FAX: 27-11-394-1147

Cascade-Xiamen
No. 668 Yangguang Rd.
Xinyang Industrial Zone
Haicang, Xiamen City
Fujian Province
P.R. China 361026
Tel: 86-592-651-2500
FAX: 86-592-651-2571

**Cascade (Singapore)
Trading Co.**
Four Seasons Park
Autumn Block - Apt. 1802
12 Cuscaden Walk
Singapore
Tel: 65-834-1935
FAX: 65-834-1936

