



# Parts Manual

---

Model 100D Rotator

Serial Number 100D-RRB-16CR0

---

**cascade**<sup>®</sup>  
**corporation**

**For Technical Assistance call:** 800-227-2233, Fax: 888-329-8207

**To Order Parts call:** 888-227-2233, Fax: 888-329-0234

**OR**

**Write:** Cascade Corporation, P.O. Box 20187, Portland, OR 97220

**Internet:** [www.cascorp.com](http://www.cascorp.com)

# Safety Decals



REF	QTY	PART NO.	DESCRIPTION
1	1	679150	No Step Decal

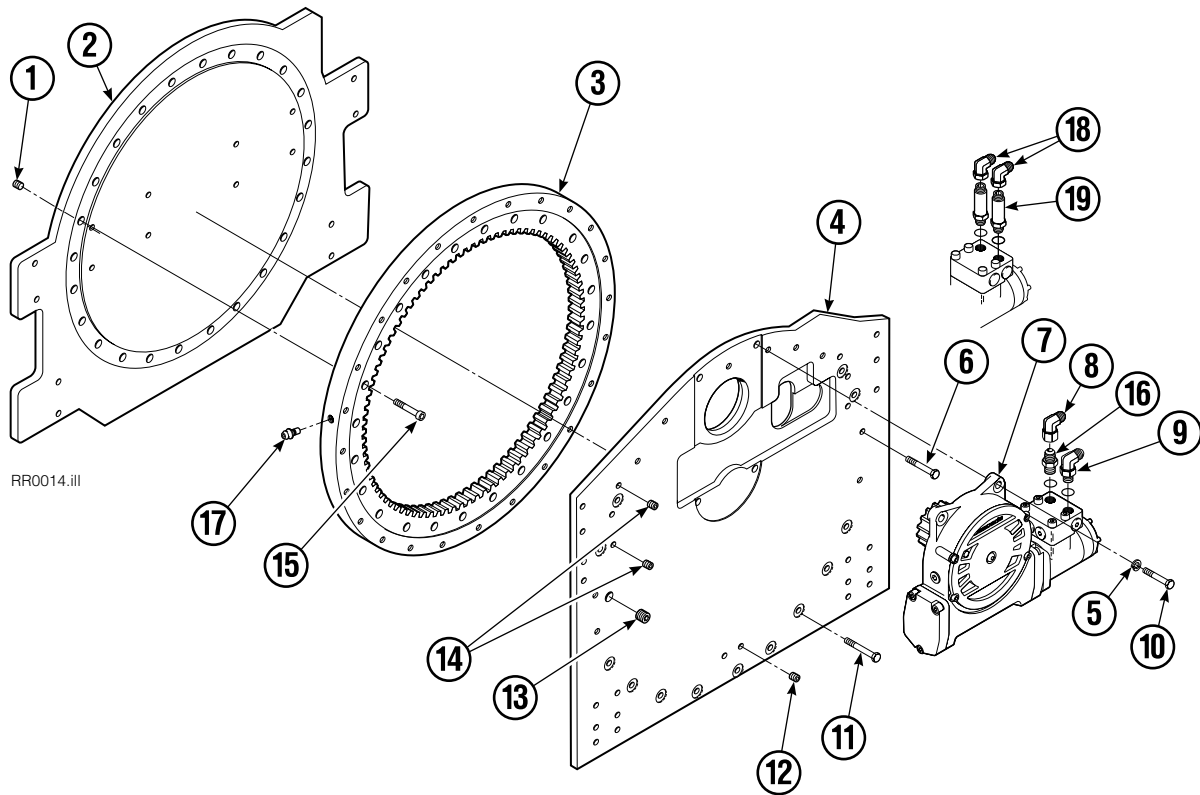
# Publications



GA0006.eps

PART NO.	DESCRIPTION
672946	Service Manual
672714	Operators Guide
668987	Installation Instructions
679929	Tool Catalog
673964	Literature Index Order Form

# Base Unit Group



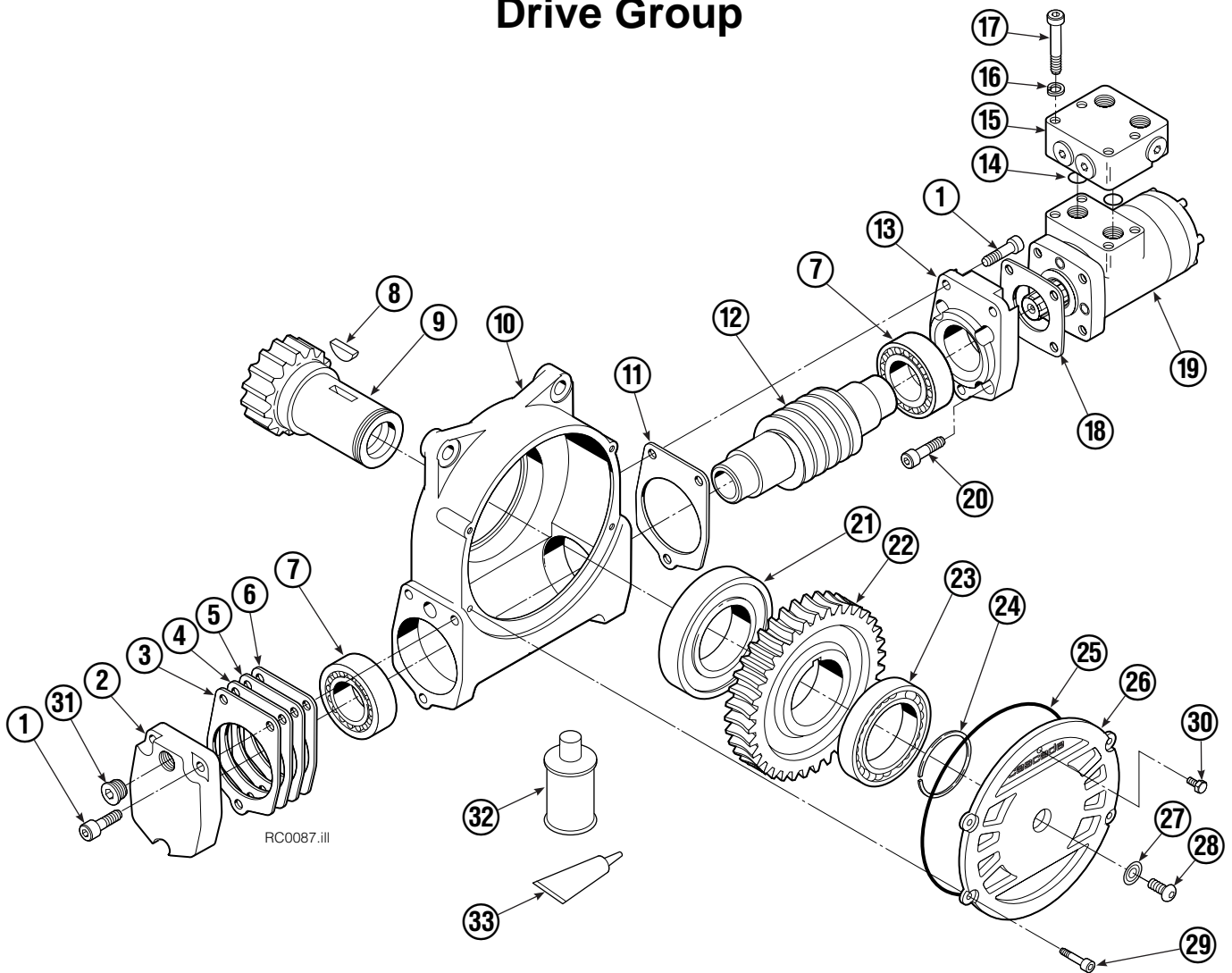
RR0014.iii

100D			
REF	QTY	PART NO	DESCRIPTION
		682647	Base Unit Group
1	10	631428	Plug
2	1	670669	Faceplate
3	1	672830	Bearing Assembly
4	1	682649	Baseplate
5	4	6290	Lockwasher
6	11	643538	Capscrew, 1/2 NC x 1.50 GR8
7	1	675639	Drive Group ●
8	1	605761	Fitting – Class III only, 8-8
9	1	601250	Fitting – Class III only, 8-8
10	4	661742	Capscrew, 1/2 NC x 1.25 GR5
11	13	643539	Capscrew, 1/2 NC x 1.75 GR8
12	2	631427	Plug
13	1	6605	Plug
14	6	631385	Plug
15	24	4506	Capscrew, 1/2 NC x 1.50 GR8
16	1	601377	Fitting – Class III only, 8-8
17	1	7401	Grease Fitting
18	2	605761	Fitting – Class IV only, 8-8
19	2	611295	Fitting – Class IV only, 8-8
		672482	Bearing Service Kit

● See Drive Group page for parts breakdown.

Reference: Common Parts Group 675849, SK-5376.

# Drive Group



REF	QTY	PART NO.	DESCRIPTION	REF	QTY	PART NO.	DESCRIPTION
	■	675639	Drive Group with Motor	19	1	206392	Drive Motor ▲
	■	675633	Drive Group without Motor	20	4	4468	Capscrew, 3/8 NC x .75 GR8
1	6	769570	Capscrew, M12 x 25	21	1	670580	Bearing
2	1	676855	Cover	22	1	675609	Worm Gear
3	●	674513	Shim - .005" (blue)	23	1	670581	Bearing
4	●	670574	Shim - .010" (brown)	24	1	7214	Snap Ring
5	●	671757	Shim - .015" (pink)	25	1	643423	O-Ring
6	●	671758	Shim - .020" (yellow)	26	1	775552	Cover
7	2	670579	Bearing	27	1	603680	Seal
8	1	670582	Key	28	1	783608	Capscrew, 3/8 NC x .50 GR8
9	1	670556	Pinion	29	4	200882	Capscrew, M12 x 20
10	1	775551	Housing	30	1	644010	Relief Fitting
11	1	686465	Gasket	31	1	604510	Fitting, 6
12	1	675608	Worm	32	1	656300	Gear Box Lube - 48 oz.
13	1	775553	Adapter	33	1	668184	Sealant
14	2	2705	Seal	34		670578	Shim Service Kit (items 3-6,11,25 & 33)
15	1	670549	Check Valve			675637	Bearing Service Kit (items 21 & 34)
16	4	6444	Lockwasher			675638	Bearing Service Kit (items 7 & 34)
17	4	607059	Capscrew, 5/16 NC			206394	Motor Kit (items 11,14,18,19 & 33)
18	1	670575	Gasket				

■ Includes all items except 14,15,17 and 18.

● Quantity as required.

▲ See Drive Motor page for parts breakdown.

Reference: 675639 (Common Parts 675627, SK-5032.)

675633 (Sub Assy 220335, Common Parts 795490, SKN-5527)

# Drive Motor



REF	QTY	PART NO.	DESCRIPTION
		206392	Drive Motor
1	1	675478	Shaft
2	1	675477	Drive
3	1	675479	Spacer Plate
■ 4	1	675480	Gerotor Set (101-1768-007)
■ 4	1	685075	Gerotor Set (101-1768-009)
5	1	675482	End Cap
● 6	1	206405	Service Kit
■ 7	1	685089	Flange (101-1768-007)
■ 7	1	685090	Flange (101-1768-009)

Cascade provides service replacement parts for the listed parts only. Due to cost, if others parts need replacement, the complete drive motor should be replaced.

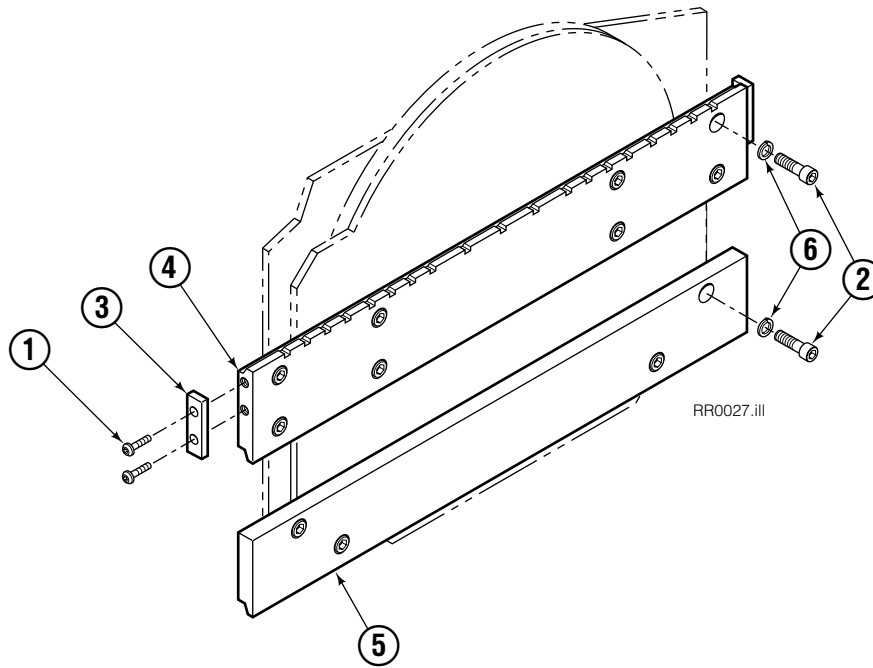
- See Nameplate under valve for correct part number of Gerotor Set and Flange.
- Compatible with water glycol based hydraulic fluids.

# Check Valve



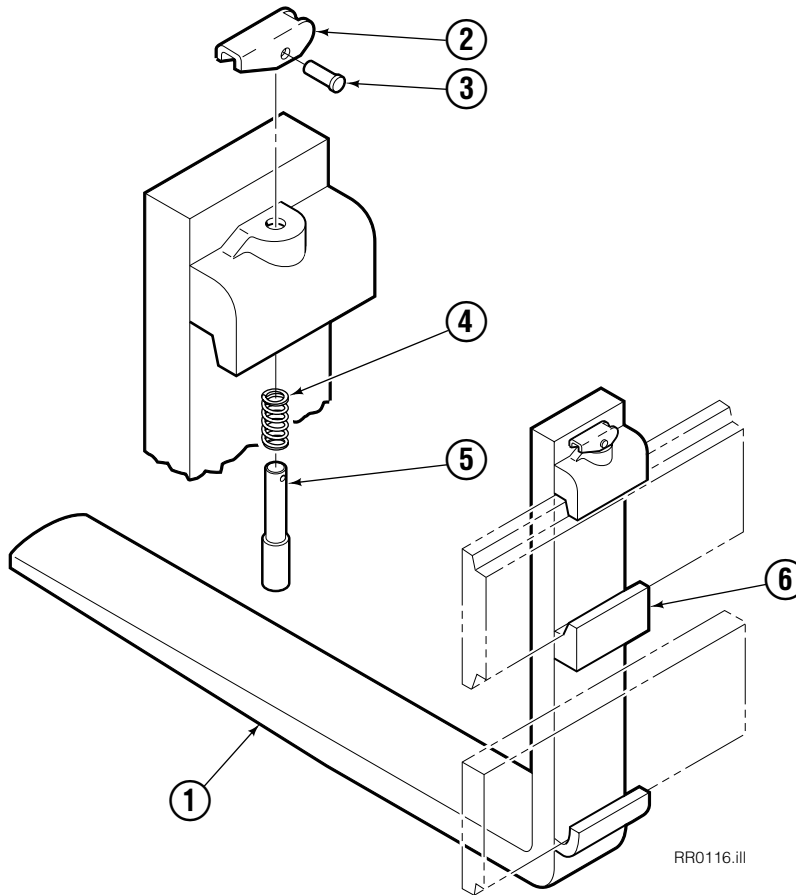
REF	QTY	PART NO.	DESCRIPTION
		670549	Check Valve Assembly
1	2	609453	Fitting, 10
2	2	670552	Spring
3	2	670551	Guide
4	2	7020	Ball
5	2	602580	Fitting, 8
6	2	673989	Spring
7	1	670550	Body
8	1	670553	Spool

# Fork Bar Group



100D			
REF	QTY	PART NO.	DESCRIPTION
		206778	Fork Bar Group
1	4	4880	Capscrew, 1/2 NC x 1.0 GR8
2	18	607103	Capscrew, 3/4 NC x 1.50 GR8
3	2	606988	Keeper
4	1	625525	Upper Bar
5	1	625526	Lower Bar
6	18	6448	Lockwasher, 3/4 ID

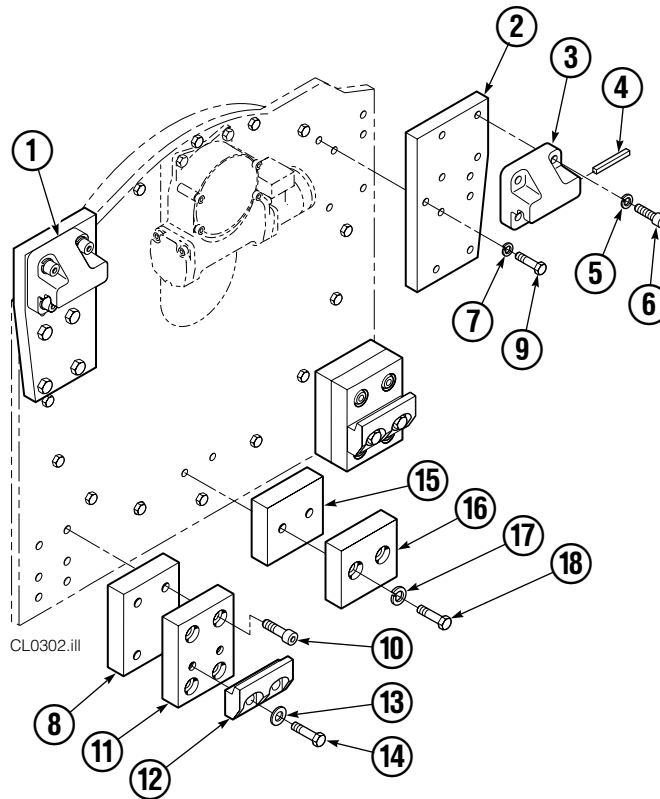
# Adjustable Forks



100D						
REF	QTY	42" PART NO.	48" PART NO.	54" PART NO.	60" PART NO.	DESCRIPTION
		672281	672282	672283	<b>672284</b>	Fork Assembly
1	1	645614	645615	645616	645617	● Fork
2	1	622897	622897	622897	622897	Handle
3	1	8007	8007	8007	8007	Rivet
4	1	622898	622898	622898	622898	Spring
5	1	622899	622899	622899	622899	Pin
6	1	689280	689280	689280	689280	■ Middle Hook

- Includes item 6 welded in place.
- Required when using customer supplied forks.

# Bolt-On Mounting Group



Class IV, 0°			
REF	QTY	PART NO	DESCRIPTION
		682142	Mounting Group
1	1	670690	Upper Hook - L.H.
2	2	670697	Adapter Plate
3	1	670691	Upper Hook - R.H.
4	1	670704	Stop Kit
5	8	6448	Lockwasher, 3/4 ID
6	8	607104	Capscrew, 3/4 NC x 1.75 GR8
7	12	6292	Lockwasher, 5/8 ID
8	2	670700	Spacer
9	12	638601	Capscrew, 5/8 NC x 2.0 GR5
10	8	670698	Capscrew
11	2	682195	Adapter Plate
12	2	679832	Lower Hook
13	4	670692	Washer
14	4	670693	Capscrew
15	1	670699	Spacer
16	1	670695	Bumper
17	2	6290	Lockwasher, 1/2 ID
18	2	3664	Capscrew, 1/2 NC x 3.75



**Do you have questions you need answered right now?** Call your nearest Cascade Parts Department.

**Cascade Corporation**

2501 Sheridan Avenue  
Springfield, OH 45505  
Tel: 888-CASCADE (227-2233)  
FAX: 888-329-0234  
www.cascorp.com

**Cascade Canada Inc.**

5570 Timberlea Blvd.  
Mississauga, Ontario  
Canada L4W-4M6  
Tel: 905-629-7777  
FAX: 905-629-7785

**Cascade GmbH**

D-41199 Monchengladbach  
Klosterhofweg 52  
Germany  
Tel: 49-216-668230  
FAX: 49-216-6682323

**Cascade Finland**

Albert Petreliuksenkatu 3  
01370 Vantaa  
Finland  
Tel: 358-9-836-1925  
FAX: 358-9-836-1935

**Cascade N.V.  
European Headquarters**

P.O. Box 3009  
1300 El Almere  
Damsluisweg 56  
1332 ED Almere  
The Netherlands  
Tel: 31-36-5492911  
FAX: 31-36-5492964

**Cascade N.V.  
Benelux Sales and Service**

P.O. Box 3009  
1300 El Almere  
Damsluisweg 56  
1332 ED Almere  
The Netherlands  
Tel: 31-36-5492950  
FAX: 31-36-5492974

**Cascade (UK) Ltd.**

15, Orgreave Crescent  
Dore House Industrial Estate  
Handsworth  
Sheffield S13 9NQ  
England  
Tel: 742-697524  
FAX: 742-695121

**Cascade Scandinavia AB**

Box 124  
Hammarvägen 10  
567 23 Vaggeryd  
Sweden  
Tel: 42-0-393-36950  
FAX: 46-0-393-36959

**Cascade Norway**

Østerliveien 37A  
1153 Oslo  
Norway  
Tel: 47-22-743160  
FAX: 47-22-743157

**Cascade France S.A.R.L.**

1D Rue De Charaintru  
BP 18, 91360 Epinay-Sur-Orge  
Morangis Cedex, France  
Tel: 33-1- 64547500  
FAX: 33-1-64547501

**Cascade Hispania S.A.**

Carrer 5 Sector C  
Zona Franca Duanera  
Poligono de la Zon Franca  
08040 Barcelona, Spain  
Office No. 256  
Tel: 93-264-07-30  
FAX: 93-264-07-31

**Cascade Japan Ltd.**

5-5-41,  
Torikai Kami  
Settsu, Osaka  
Japan, 566  
Tel: 81-726-53-3490  
FAX: 81-726-53-3497

**Cascade Korea**

108B, Namdong Ind Complex  
658-3 Gojan-Dong  
Namdong-Gu  
Inchon, 405-310 Korea  
Tel: 82-32-821-2051  
FAX: 82-32-821-2055

**Cascade Australia**

1445 Ipswich Road  
Rocklea, QLD 4106  
Australia  
Tel: 1-800227-223  
FAX: (07) 3373-7333

**Cascade New Zealand**

15 Ra Ora Drive  
East Tamaki, Auckland  
New Zealand  
Tel: 9-273-9136  
FAX: 9-273-9137

**Cascade (Africa) Pty. Ltd.**

P.O. Box 625, Isando 1600  
60A Steel Road  
Sparton, Kempton Park  
South Africa  
Tel: 27-11-975-9240  
FAX: 27-11-394-1147

**Cascade-Xiamen**

No. 668 Yangguant Rd.  
Xinyang Industry Zone  
Haicant, Xiamen City  
Fujian Province  
P.R. China 361026  
Tel: 86-592-651-2500  
FAX: 86-592-651-2571

**Cascade (Singapore)  
Trading Co.**

Four Seasons Park  
Autumn Block - Apt. 1802  
12 Cuscaden Walk  
Singapore  
Tel: 65-834-1935  
FAX: 65-834-1936

