



Parts Manual

Model _____ **Fork Positioner**

Serial Number _____ **100C-HS-035**

cascade®

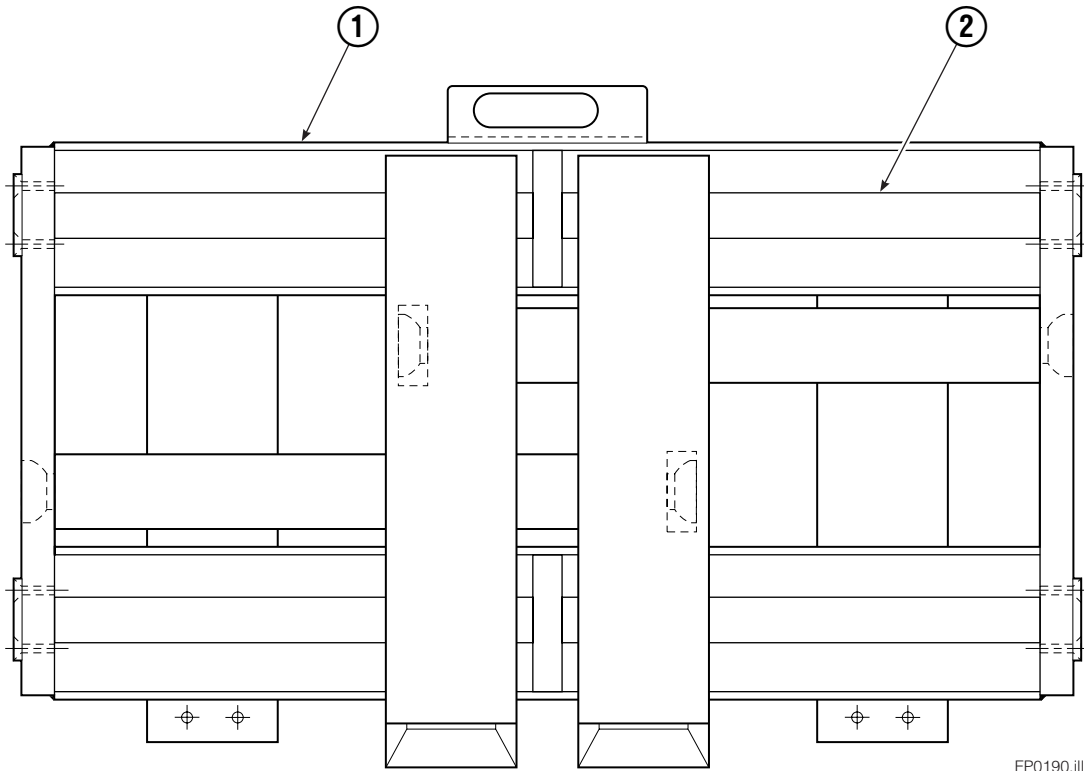
For Technical Assistance call: 800-227-2233, Fax: 888-329-8207

To Order Parts call: 888-227-2233, Fax: 888-329-0234

OR

Write: Cascade Corporation, P.O. Box 20187, Portland, OR 97220

Frame Group

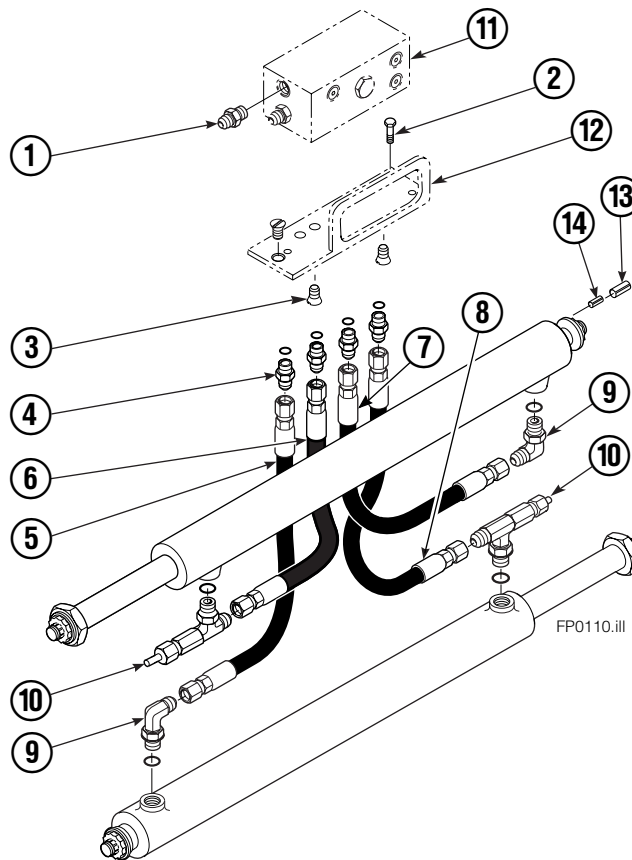


FP0190.iii

REF	QTY	PART NO.	DESCRIPTION
		3005186	Frame Group, 48 in.
1	1	381943	Frame
2	2	829205	Shaft

Reference: Hydraulic Group 381520
 Hose Group 384618
 Cylinder 383034
 Common Parts 399683

Hydraulic Valve Group



REF	QTY	PART NO	DESCRIPTION
		381520	Hydraulic Valve Group ★
		384618	Hose Group ▲
1	1	601377	Fitting, 8-8
2	1	643524	Capscrew
3	3	4750	Capscrew, .375x.750
4	4	611288	Fitting, 6-8
5	1	681231	Hose
6	1	380315	Hose
7	1	380315	Hose
8	1	681231	Hose
9	2	601676	Fitting-90, 6-6
10	2	617487	Elbow Restrictor ●
11	1	668861	Valve Assembly ■
12	1	844137	Bracket
13	2	7961	Roll Pins
14	2	7882	Roll Pins

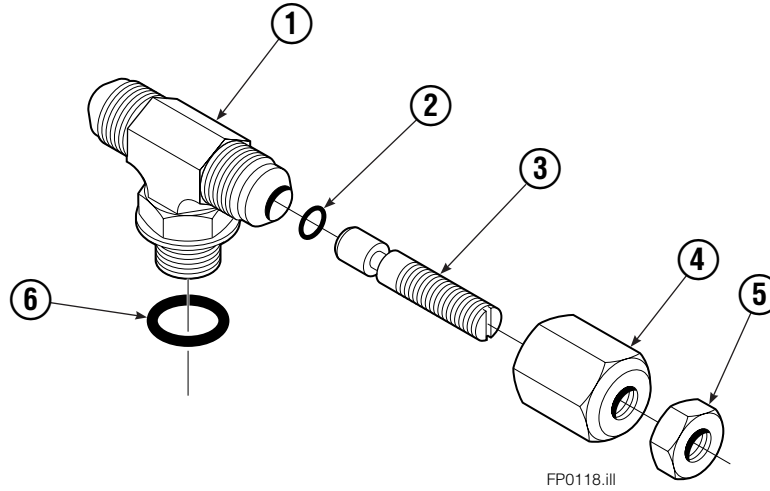
★ Includes items 1-4 & 9-12.

▲ Includes items 5-8.

● See Elbow Restrictor page for parts breakdown.

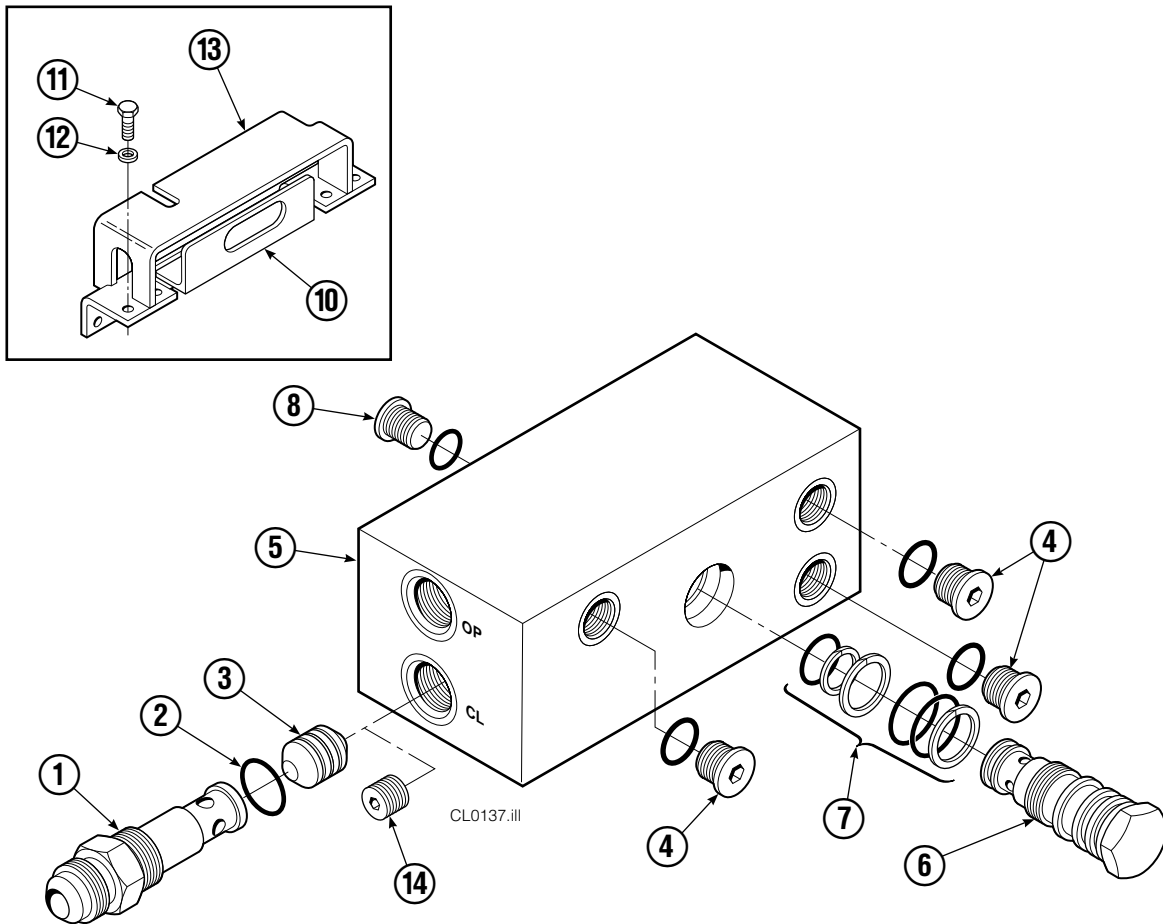
■ See Valve Assembly page for parts breakdown.

Restrictor Fitting



REF	QTY	PART NO.	DESCRIPTION
		617487	Restrictor Assembly
1	1	617486	Tee
2	1	2698	O-Ring
3	1	11100	Setscrew
4	1	11099	Cap
5	1	5715	Jam Nut
6	1	2840	O-Ring

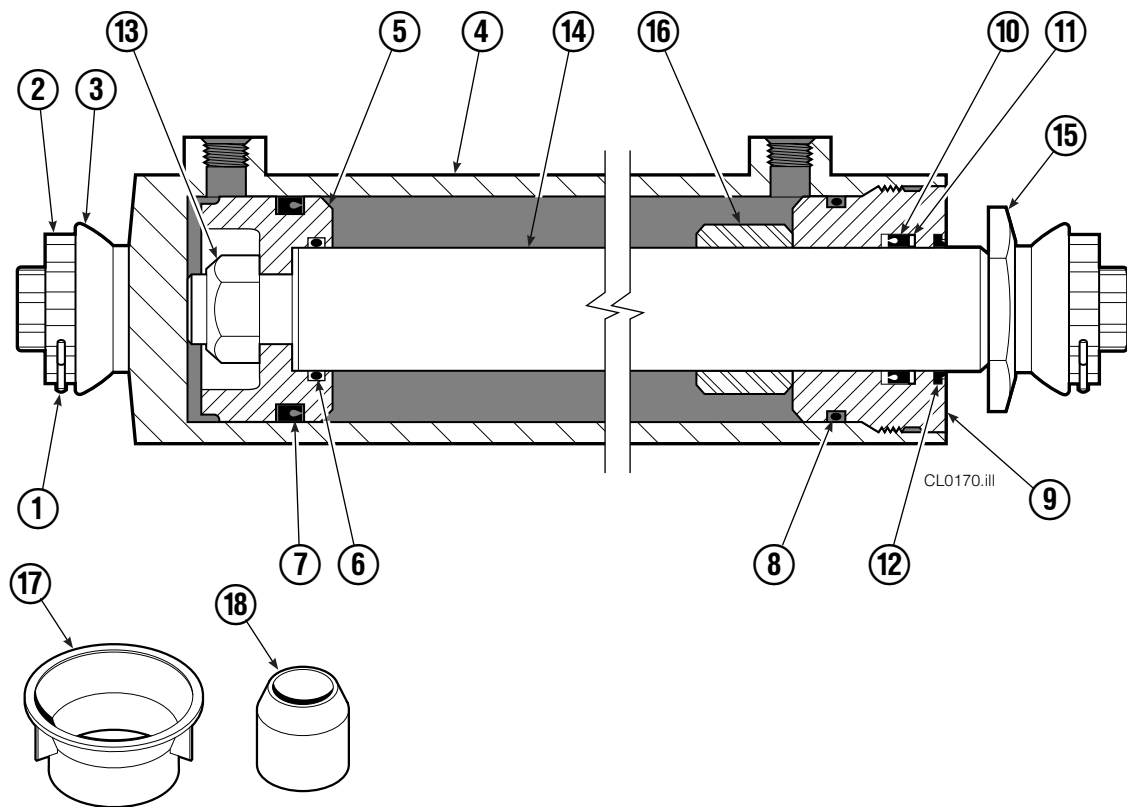
Check Valve Non-Sideshift



REF	QTY	PART NO.	DESCRIPTION
★		668861	Check Valve - Non-Sideshift
1	1	667490	Special Fitting
●	2	2841	O-Ring
3	1	667471	Spool
4	3	609455	Fitting
5	1	668862	Valve Body
6	1	678270	Check Valve - V.P.O.
●	1	661347	Service Kit
8	1	604510	Fitting, 6
10	1	▲	Bracket
11	4	670004	Capscrew, 1/2 NC x 1.25
12	4	6232	Washer
13	1	670000	Guard
■	1	676343	Regeneration Elimination Plug
		668864	Service Kit

- Included in Service Kit 668864.
- ★ Includes items 1 thru 8 only.
- ▲ See Frame and Weldment Assembly page.
- For eliminating regeneration circuit only.
(See Technical Bulletin Number 121)

Cylinder



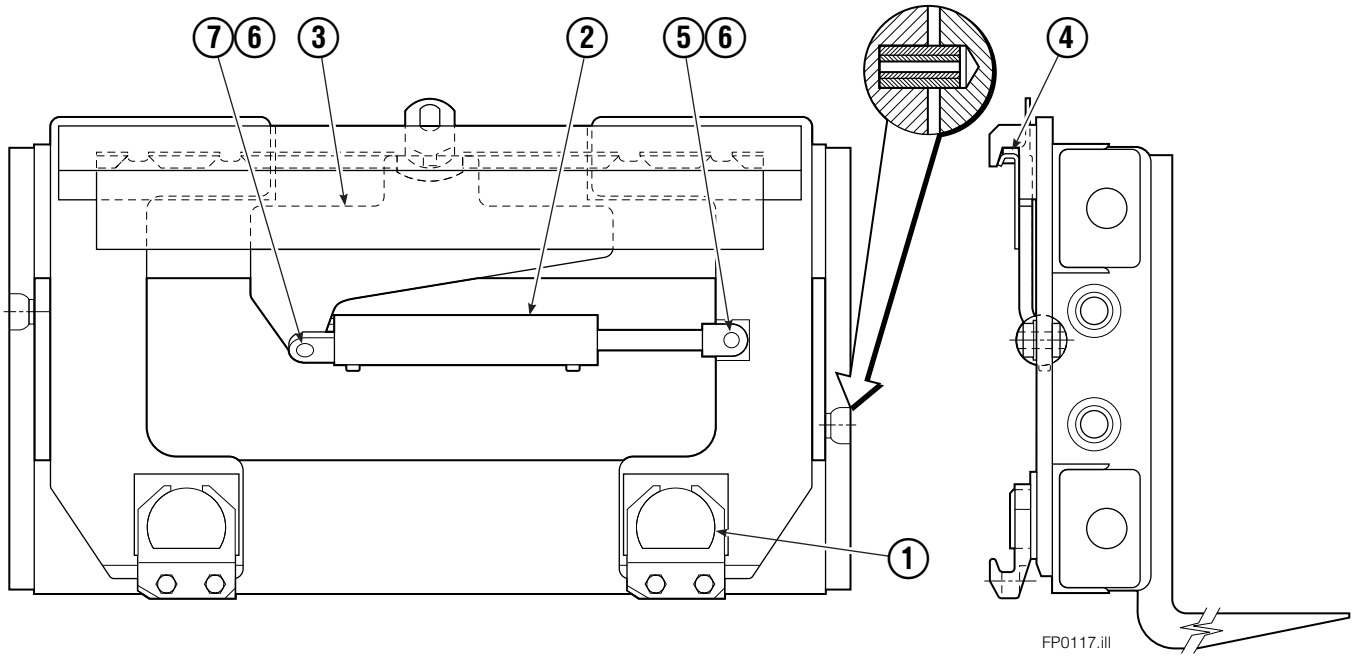
REF	QTY	PART NO.	DESCRIPTION
		383034	Cylinder Assembly
1	2	■ 6511	Cotter Pin
2	2	■ 667667	Retainer
3	2	■ 667668	Nut
4	1	564906	Shell
5	1	558402	Piston
6	1	✕ 2722	O-Ring
7	1	✕ 557376	Seal
8	1	✕ 2791	O-Ring
9	1	✕ 615134	Back-Up Ring
10	1	667675	Retainer
11	1	✕ 662451	Seal
12	1	✕ 638246	Nylon Ring
13	1	✕ 628047	Wiper
14	1	561012	Nut
15	1	584479	Rod
16	1	667676	Washer
17	1	829236	Spacer
18	1	✕ 671049	Seal Loader, Piston
19	1	✕ 671052	Seal Loader, Retainer
		667723	Service Kit

✕ Included in Service Kit.

■ Included in Nut Service Kit 668925.

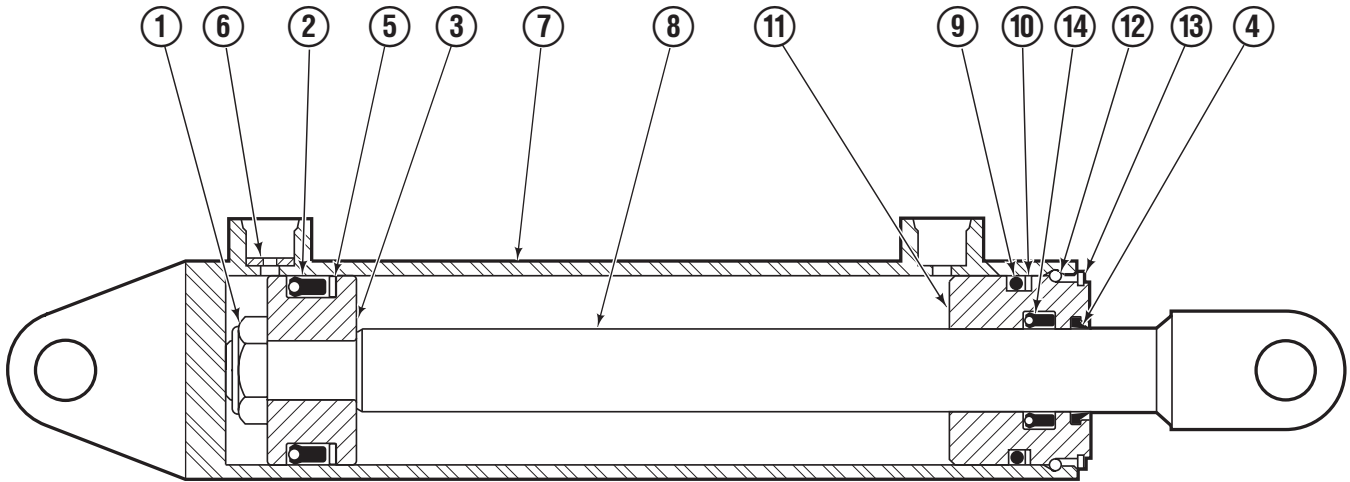
Ref: S-5564, S-5565

Common Parts



REF	QTY	PART NO.	DESCRIPTION
		399683	Common Parts
1	2	676650	Bearing - Lower
2	1	676649	Cylinder Assembly
3	1	381523	Anchor Bracket Weldment
4	2	804065	Bearing Segment - Upper
5	1	678528	Pin - Clevis
6	2	672726	Cotter Pin
7	1	678528	Pin - Clevis

Sideshift Cylinder

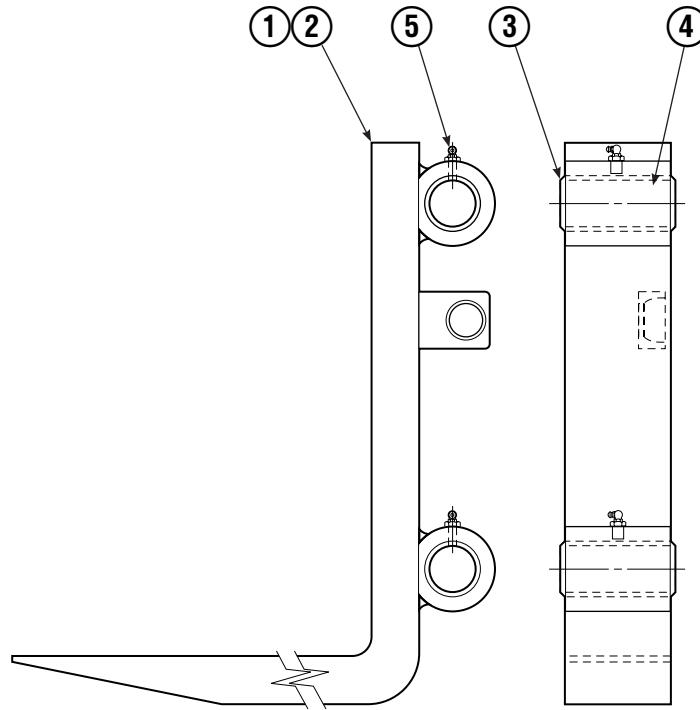


FP0029.ill

REF	QTY	PART NO.	DESCRIPTION
		676649	Cylinder Assembly
1	1	553717	Nut
■ 2	1	662456	Seal
3	1	553527	Piston
■ 4	1	636852	Wiper
■ 5	1	649817	Back-up Ring
6	1	675550	Washer (orifice .085)
7	1	676776	Shell
8	1	553530	Rod
■ 9	1	2789	O-Ring
■ 10	1	615132	Back-up Ring
11	1	553528	Retainer
12	1	553688	Retaining Ring
13	1	7211	Snap Ring
■ 14	1	662447	Seal
		553866	Service Kit

■ Included in Service Kit 553866.

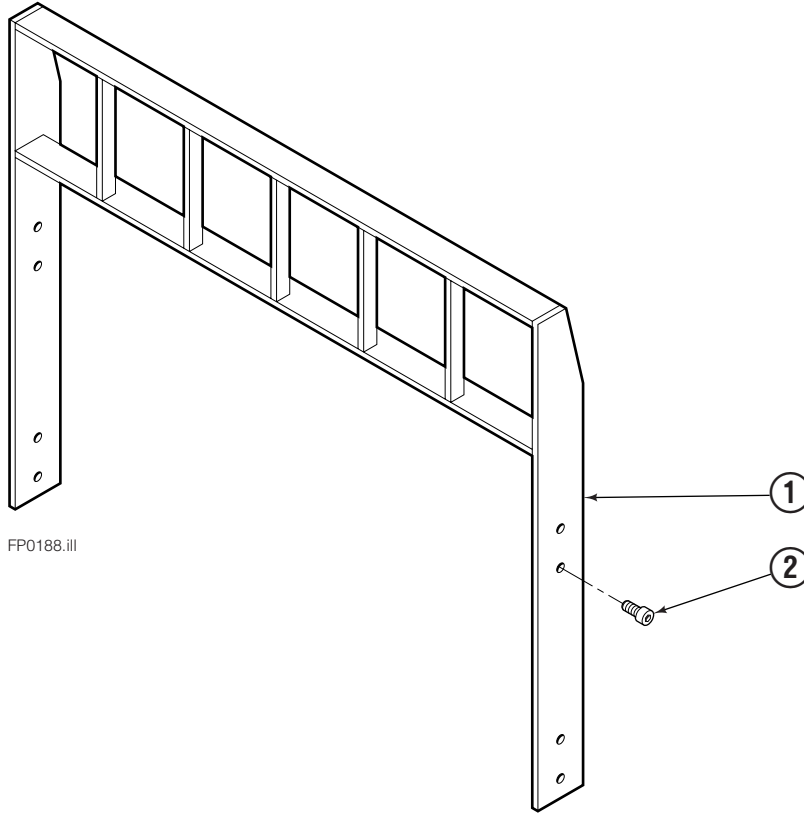
Fork Group



FP0191.iii

REF	QTY	36 in. PART NO.	42 in. PART NO.	48 in. PART NO.	54 in. PART NO.	60 in. PART NO.	72 in. PART NO.	96 in. PART NO.	DESCRIPTION
		214672	214673	214674	214675	214676	214677	214678	Fork Group
1	1	829195	829194	829193	829192	829191	393961	393963	Fork - L.H.
2	1	829185	829186	829187	829188	829189	393962	393964	Fork - R.H.
3	8	7217	7217	7217	7217	7217	7217	7217	Retaining Ring
4	4	827203	827203	827203	827203	827203	827203	827203	Bushing
5	4	828470	828470	828470	828470	828470	828470	828470	Grease Fitting

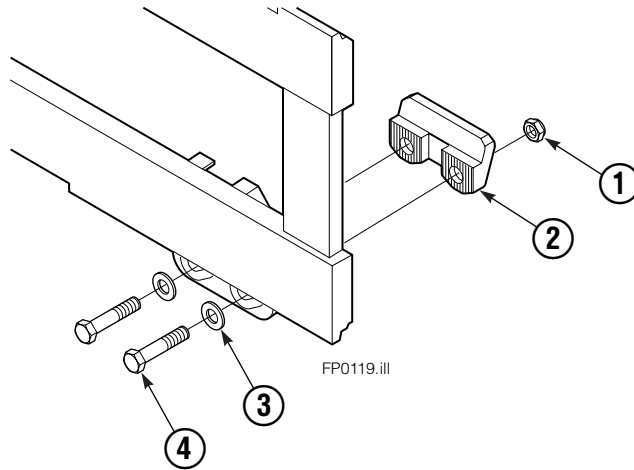
Backrest



REF	QTY	PART NO.	DESCRIPTION
		214681	Backrest Group
1	1	831133	Backrest
2	8	4771	Capscrew

Reference: S-8604

Mounting Group



REF	QTY	PART NO.	DESCRIPTION
		677280	Mounting Group
1	2	553857	Nut
2	1	677160	Lower Hook
3	2	667225	Washer
4	2	638601	Capscrew

Do you have questions you need answered right now? Call your nearest Cascade Parts Department.

Cascade Corporation
2501 Sheridan Avenue
Springfield, OH 45505
Tel: 888-CASCADE (227-2233)
FAX: 888-329-0234

Cascade Canada Inc.
5570 Timberlea Blvd.
Mississauga, Ontario
Canada L4W-4M6
Tel: 905-629-7777
FAX: 905-629-7785

Cascade GmbH
D-41199 Monchengladbach
Klosterhofweg 52
Germany
Tel: 21-66-602091
FAX: 21-66-680947

Cascade Finland
01370 Vantas
Finland
Tel: 358-0-836-1925
FAX: 358-0-836-1935

**Cascade N.V.
European Headquarters**
P.O. Box 3009
1300 El Almere
Damsluisweg 56
1332 ED Almere
The Netherlands
Tel: 31-36-5492911
FAX: 31-36-5492964

**Cascade N.V.
Benelux Sales and Service**
P.O. Box 3009
1300 El Almere
Damsluisweg 56
1332 ED Almere
The Netherlands
Tel: 31-36-5492950
FAX: 31-36-5492974

Cascade (UK) Ltd.
15, Orgreave Crescent
Dore House Industrial Estate
Handsworth
Sheffield S13 9NQ
England
Tel: 742-697524
FAX: 742-695121

**Cascade Scandinavia
Hydraulik A.B.**
Muskötgatan 19, E8-9
S25466 Helsingborg
Sweden
Tel: 42-151135
FAX: 42-152997

Cascade Norway
Østerliveien 37A
1153 Oslo
Norway
Tel: 47-22-743160
FAX: 47-22-743157

Cascade France S.A.R.L.
11, Rue Jean Charcot
Zone Industrielle Sud or
B.P. 22
91421 Morangis Cedex
France
Tel: 1- 64547501
FAX: 1-9790584

Cascade Hispania S.A.
Avenida De La Fabregada, 7
Hospitalet De Llobregat
Barcelona
Spain
Tel: 3-335-5158
FAX: 3-335-4756

Cascade Japan Ltd.
5-5-41,
Torikai Kami
Settsu, Osaka
Japan, 566
Tel: 81-726-53-3490
FAX: 81-726-53-3497

Cascade Korea
Room 508, Pum Yang Bldg.
750-14, Bang Bac-Dong
Se-Cho Ku, Seoul
Korea
Tel: 2599-7131 ext. 512
FAX: 2533-8089

HYCO-Cascade Pty. Ltd.
87 Antimony Street
Carole Park,
Brisbane 4300
Australia
Tel: 7-271-1966
FAX: 7-271-3830

HYCO-Cascade (NZ) Ltd.
15 Ra Ora Drive, East Tamaki
P.O. Box 38-440
Howick, Auckland
New Zealand
Tel: 9-273-9136
FAX: 9-273-9137

Cascade (Africa) Pty. Ltd.
P.O. Box 625, Isando 1600
60A Steel Road
Sparton, Kempton Park
South Africa
Tel: 975-9240
FAX: 394-1147

Cascade-Xiamen
Wanshan No. 1 Workshop
Huli Road
Xiamen 361006
Fujian, PRC
Tel: 592-562-4600
FAX: 592-562-4671

**Cascade (Singapore)
Trading Co.**
Four Seasons Park
Autumn Block - Apt. 1802
12 Cascaden Walk
Singapore
Tel: 65-834-1935
FAX: 65-834-1936

