



# Parts Manual

---

Model F-Series Sideshifter

Serial Number 55F-SSS-A009 R3

---

**cascade**<sup>®</sup>  
corporation

**For Technical Assistance call:** 800-227-2233, Fax: 888-329-8207

**To Order Parts call:** 888-227-2233, Fax: 888-329-0234

**OR**

**Write:** Cascade Corporation, P.O. Box 20187, Portland, OR 97220

**Internet:** [www.cascorp.com](http://www.cascorp.com)

# INSPECTION & MAINTENANCE



**WARNING:** After completing any service procedure, always test the sideshifter through five complete cycles. First test with no load, then test with a load to make sure the attachment operates correctly before returning it to the job.

## Daily

Check items shown each day. Report problems to your supervisor. See Service Manual for maintenance and repair procedures.

## 100-Hour

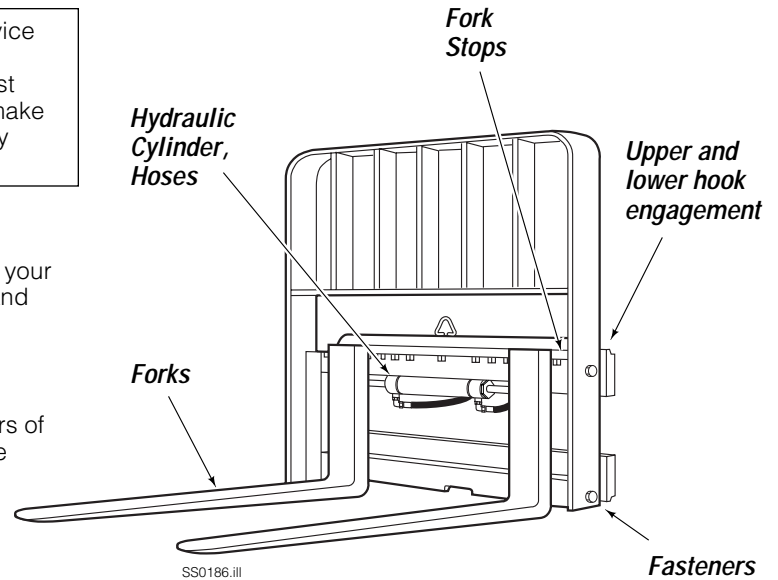
Every time the lift truck is serviced or every 100 hours of truck operation, whichever comes first, complete the following maintenance procedures:

- Check for loose or missing bolts, worn or damaged hoses, hydraulic leaks, and damaged or missing fork stops.
- Inspect clearance between sideshifter lower hooks and truck lower carriage bar (Refer to Step 4, Installation). Tighten lower hook capscrews to 120 ft.-lbs (165 Nm).

## 500-Hour

After each 500 hours of truck operation, in addition to the 100-hour maintenance, perform the following procedures:

- Tighten backrest capscrews (Cascade) to 145 ft.-lbs. (195 Nm).
- Apply general-purpose lithium-based chassis grease to Sideshifter upper and lower bearings.



## 1000-Hour

After each 1000 hours of truck operation, in addition to the 100 and 500-hour maintenance, perform the following procedures:

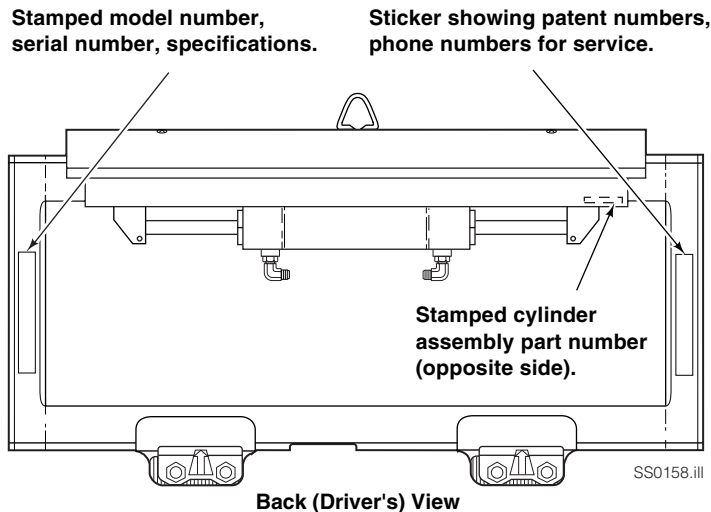
- Inspect upper and lower bearings for wear. If any bearing is worn to less than 3/32 in. (2.5 mm) thickness, replace the entire bearing set. See Service Manual for replacement procedure.
- Inspect forks for wear (Use Cascade fork bar wear gauge 209560 and fork wear calipers 686093).

# PARTS

**Product Identification** – This Section shows replacement parts for F-Series Sideshifters. The product model number and serial number are stamped on the back surface of the LH vertical bar (driver's view), and must be provided when ordering replacement parts. The cylinder/anchor bracket assembly part number is stamped on the front surface RH end of the anchor bracket (driver's view).

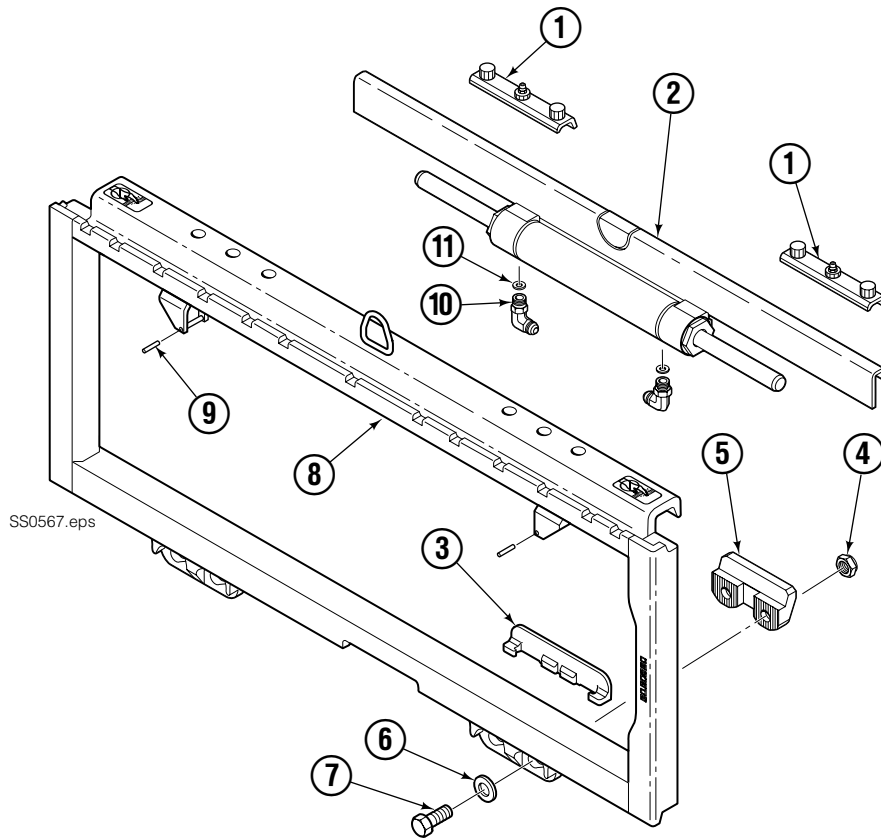


**WARNING:** For the safety of yourself and others, DO NOT install the parts shown in this Manual unless you have thoroughly reviewed the appropriate Service Manual.



Back (Driver's View)

# Sideshift Group



## 55F

| REF | QTY | PART NO. | DESCRIPTION       | REF | QTY | PART NO. | DESCRIPTION                   |
|-----|-----|----------|-------------------|-----|-----|----------|-------------------------------|
| 1   | 2   | 228782   | Upper Bearing     | 7   | 4   | 639121   | ◆ Capscrew, 5/8NC x 1.50 (or) |
| 2   | 1   | 6025686  | Cylinder ▲        | 7   | 4   | 752903   | ◆ Capscrew, M16 x 45          |
| 3   | 2   | 6000719  | Lower Bearing     | 8   | 1   | 6025933  | Frame ●                       |
| 4   | 4   | 553857   | ◆ Nut, 5/8NC (or) | 9   | 2   | 7890     | Roll Pin                      |
| 4   | 4   | 781534   | ◆ Nut, M16        | 10  | 2   | 601676   | ■ Fitting, 6-6                |
| 5   | 2   | 204186   | ◆ Lower Hook      | 11  | 2   | 221733   | Restrictor Washer             |
| 6   | 4   | 667225   | ◆ Washer          |     |     |          |                               |

● If the Frame needs replacing, your best value is to order the complete sideshift assembly.

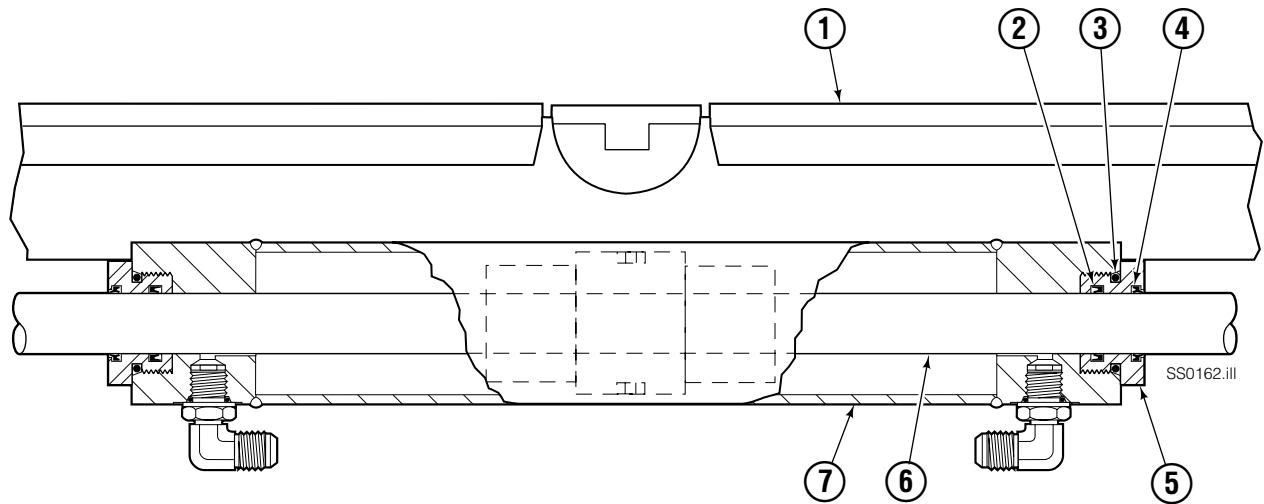
▲ See Cylinder page for parts breakdown .

Reference: Common Parts 219614, S-10090,  
Restrictor Group 221732.

■ Included in Fitting Group 204179.

◆ Included in Lower Hook Group 204182.

# Cylinder



| 55F |     |          |                       |
|-----|-----|----------|-----------------------|
| REF | QTY | PART NO. | DESCRIPTION           |
| 1   | 1   | 6025686  | Cylinder Assembly     |
| 2   | 2   | 562132   | ● Rod Seal            |
| 3   | 2   | 415866   | ● O-Ring, 70 Duro     |
| 4   | 2   | 562131   | ● Rod Wiper Seal      |
| 5   | 2   | 218324   | Retainer/Seal Carrier |
| 6   | -   | ■        | Rod/Piston Assembly   |
| 7   | -   | ■        | Cylinder Shell        |
|     |     | 219868   | Rod Seal Service Kit  |

● Included in Service Kit 219868.

■ Not serviceable, order new Cylinder Assembly.

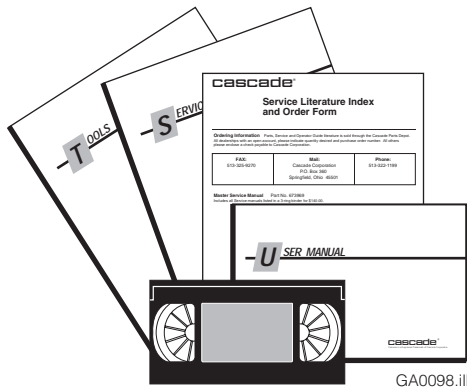
Reference: S-21006.

## Recommended Spare Parts

| 55F                           |                      | UNITS SERVICED |      |       |
|-------------------------------|----------------------|----------------|------|-------|
| PART NUMBER                   | DESCRIPTION          | 1-5            | 6-19 | 20-50 |
| <b>BASE UNIT AND MOUNTING</b> |                      |                |      |       |
| 228782                        | Upper Bearing        | 8              | 16   | 32    |
| 6000719                       | Lower Bearing        | 6              | 12   | 24    |
| 204186                        | Lower Hook           | 0              | 2    | 4     |
| ■                             | Capscrew             | 0              | 4    | 8     |
| ■                             | Nut                  | 0              | 4    | 8     |
| 667225                        | Washer               | 0              | 4    | 8     |
| <b>CYLINDER</b>               |                      |                |      |       |
| 6025686                       | Cylinder Assembly    | 0              | 0    | 1     |
| 219868                        | Cylinder Service Kit | 1              | 2    | 4     |

■ See specific parts page for part number.

## Publications



| 55F      |  |
|----------|--|
| PART NO. | DESCRIPTION                                  |
| 219941   | User Manual (Operation, Installation, Parts) |
| 220526   | Service Manual                               |
| 679929   | Tool Catalog                                 |
| 673964   | Literature Index Order Form                  |

**Do you have questions you need answered right now?** Call your nearest Cascade Parts Department. Visit us online at [www.cascorp.com](http://www.cascorp.com)

**Cascade Corporation**  
2501 Sheridan Avenue  
Springfield, OH 45505  
Tel: 888-CASCADE (227-2233)  
FAX: 888-329-0234

**Cascade Canada Inc.**  
5570 Timberlea Blvd.  
Mississauga, Ontario  
Canada L4W-4M6  
Tel: 905-629-7777  
FAX: 905-629-7785

**Cascade GmbH**  
Dahlener Strasse 570  
41239 Mönchengladbach  
Germany  
Tel: 02166-68230  
FAX: 02166-682323

**Cascade Finland**  
A. Petreliuksenkatu 3  
01370 Vantaa  
Finland  
Tel: 09-8361925  
FAX: 09-8361935

**Cascade N.V.  
Benelux Sales and Service**  
Damsluisweg 56  
PO Box 3009  
1300 El Almere  
The Netherlands  
Tel: 036-5492950  
FAX: 036-5492974

**Cascade (UK) Ltd.**  
Unit 5, Eden Close  
Hellaby Lane Ind. Estate  
Heellaby,  
Rotherham S66 8RW  
England  
Tel: 01709-704500  
FAX: 01709-704501

**Sales Scotland  
Macade Systems Ltd.**  
18 Melford Road  
Righead Ind. Estate  
Bellshill ML4 3LR  
Scotland  
Tel: 01698-845777  
FAX: 01698-845888

**Cascade (Africa) Pty. Ltd.**  
PO Box 625, Isando 1600  
60A Steel Road  
Sparton, Kempton Park  
South Africa  
Tel: 975-9240  
FAX: 394-1147

**Cascade Scandinavia AB**  
Hammarvägen 10  
PO Box 124  
S-56723 Vaggeryd  
Sweden  
Tel: 039-336950  
FAX: 039-336959

**Cascade France  
S.A.R.L. MHP**  
1D Rue De Charaintru  
BP 18,  
91360 Epinay-Sur-Orge  
France  
Tel: 01-6454-7500  
FAX: 01-6454-7501

**Cascade Hispania S.A.**  
Carrer 5, Sector C  
Zona Franca Duanera  
Poligono de la Zona Franca  
08040 Barcelona  
Spain  
Tel: 93-264-07-30  
FAX: 93-264-07-31

**Sales Italy**  
Via Ponzano 11  
50047 Prato  
Italy  
Tel: 0574-571726  
FAX: 0574-571726  
Mobile Phone: 0337-673029

**Sales Portugal FAG  
Santos Lda**  
Rua do Mercado  
Lte 6, Loja 2-Tires  
2785-630  
S. Domingos De Rana  
Portugal  
Tel: 214-448-083  
FAX: 214-458-098

**Sales Switzerland  
Fahrzeugbedarf**  
8810, Horgen  
Switzerland  
Tel: 01-7279797  
FAX: 01-7279798

**Sales Poland**  
Targowa 35/61  
03-728 Warszawa  
Tel: 022-619 00 49  
FAX: 022-619 00 49  
Mobile Phone: 0501-27 29 55

**Sales Russia**  
EMCG Material Handling  
Equipment  
Moscow  
Tel: 095-795-2400  
FAX: 095-795-2475  
Email: [emcg@dol.ru](mailto:emcg@dol.ru)

**Cascade Japan Ltd.**  
5-5-41,  
Torikai Kami  
Settsu, Osaka  
Japan, 566  
Tel: 81-726-53-3490  
FAX: 81-726-53-3497

**Cascade Korea**  
108B Namdong Ind. Complex  
658-3 Gojan-Dong  
Namdong-Gu  
Inchon, 405-310 Korea  
Tel: 82-32-821-2051  
FAX: 82-32-821-2055

**Cascade Australia**  
1445 Ipswich Road  
Rocklea, QLD 4106  
Australia  
Tel: 1-800227-223  
FAX: (07) 3373-7333

**Cascade New Zealand**  
15 Ra Ora Drive  
East Tamaki, Auckland  
New Zealand  
Tel: 9-273-9136  
FAX: 9-273-9137

**Cascade-Xiamen**  
No. 668 Yangguang Rd.  
Xinyang Industrial Zone  
Haicang, Xiamen City  
Fujian Province  
P.R. China 361026  
Tel: 86-592-651-2500  
FAX: 86-592-651-2571

**Cascade (Singapore)  
Trading Co.**  
Four Seasons Park  
Autumn Block - Apt. 1802  
12 Cuscaden Walk  
Singapore  
Tel: 65-834-1935  
FAX: 65-834-1936

