



# Parts Manual

---

Model \_\_\_\_\_ **Fork Positioner**

Catalog Number \_\_\_\_\_ **55K-FPS-A199 R2**

---

**cascade**®  
**corporation**

**For Technical Assistance call:** 800-227-2233, Fax: 888-329-8207

**To Order Parts call:** 888-227-2233, Fax: 888-329-0234

**OR**

**Write:** Cascade Corporation, P.O. Box 20187, Portland, OR 97220

**Internet:** [www.cascorp.com](http://www.cascorp.com)

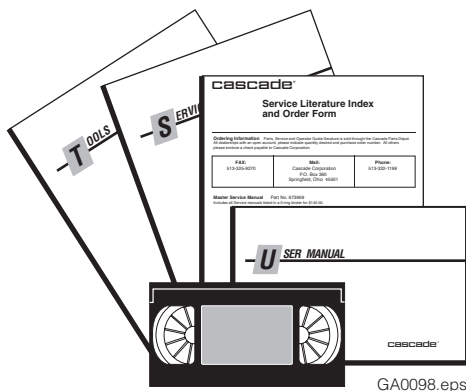


# Recommended Spare Parts

55K-Fork Positioner/Sideshifter				
PART NUMBER	DESCRIPTION	UNITS SERVICED		
		1-5	6-19	20-50
<b>FORK POSITIONER</b>				
6055389	Cylinder Internal Service Kit	0	4	8
6055390	Composite Bearing Service Kit	1	2	4
6055391	Bronze Bearing Service Kit	1	2	4
6039245	Mounting Shims	4	6	8
<b>SIDESHIFTER</b>				
■	Upper Bearing	8	16	32
■	Lower Bearing	6	12	24
■	Lower Hook	0	2	4
■	Capscrew	0	4	8
■	Nut	0	4	8
667225	Washer	0	4	8
■	Cylinder Assembly	0	0	1
219868	Cylinder Rod Service Kit	1	2	4

■ See specific parts page.

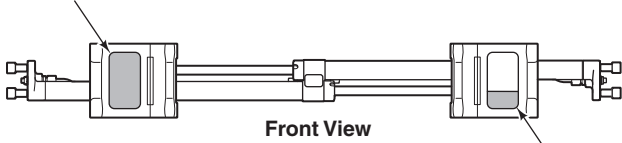
# Publications



K-Series	
PART NO.	DESCRIPTION
6045671	User Manual (Operator's Guide, Installation, Periodic Maintenance, Parts)
6053927	Service Manual
679929	Tool Catalog
673964	Literature Index Order Form

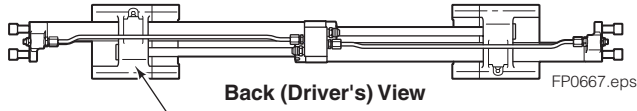
# Fork Positioner Assembly

Sticker showing operating pressure, phone numbers for service & parts.



Front View

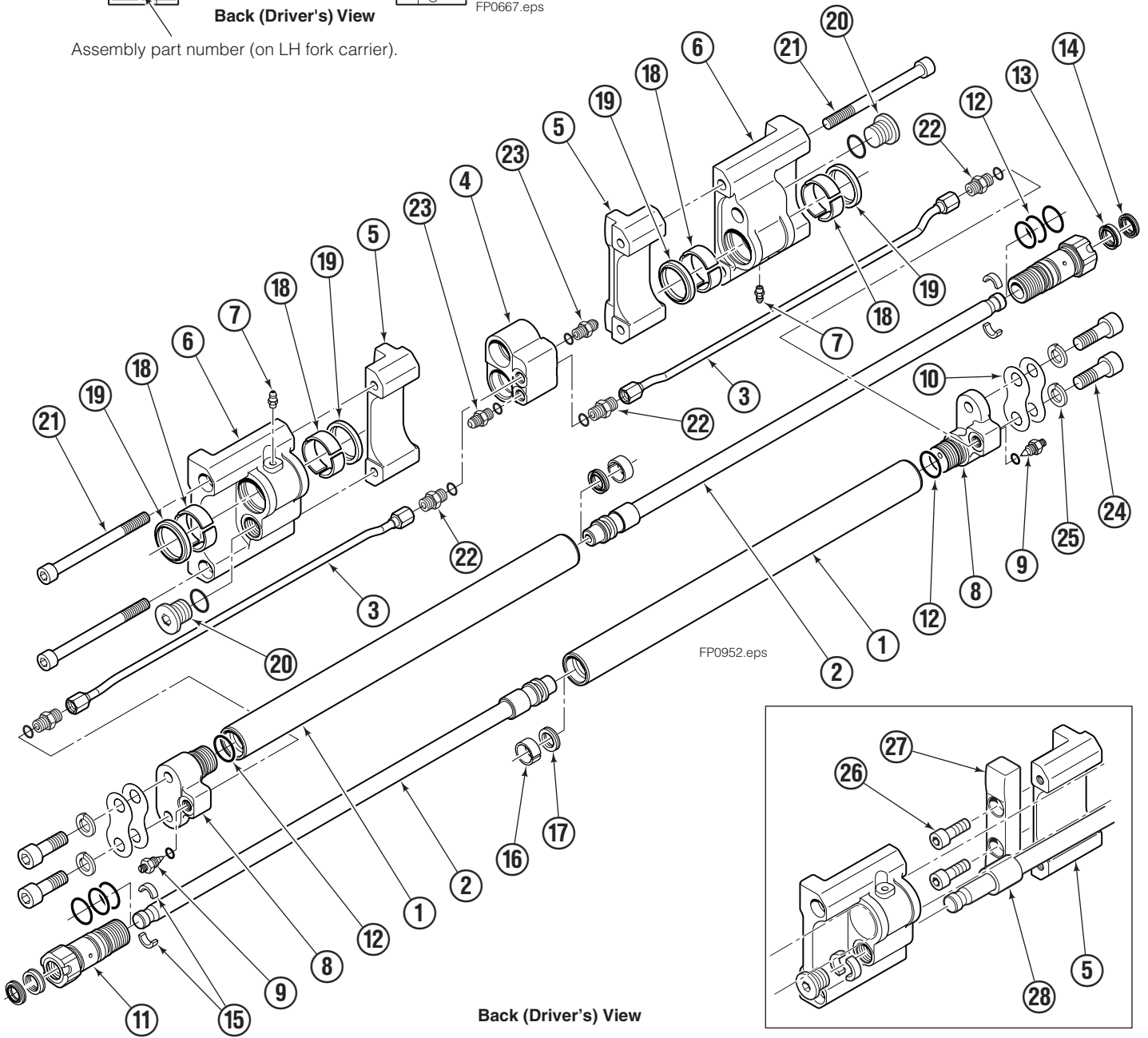
Patent Sticker



Back (Driver's) View

FP0667.eps

Assembly part number (on LH fork carrier).



FP0952.eps

Back (Driver's) View

# Fork Positioner Assembly

## Items that vary by width

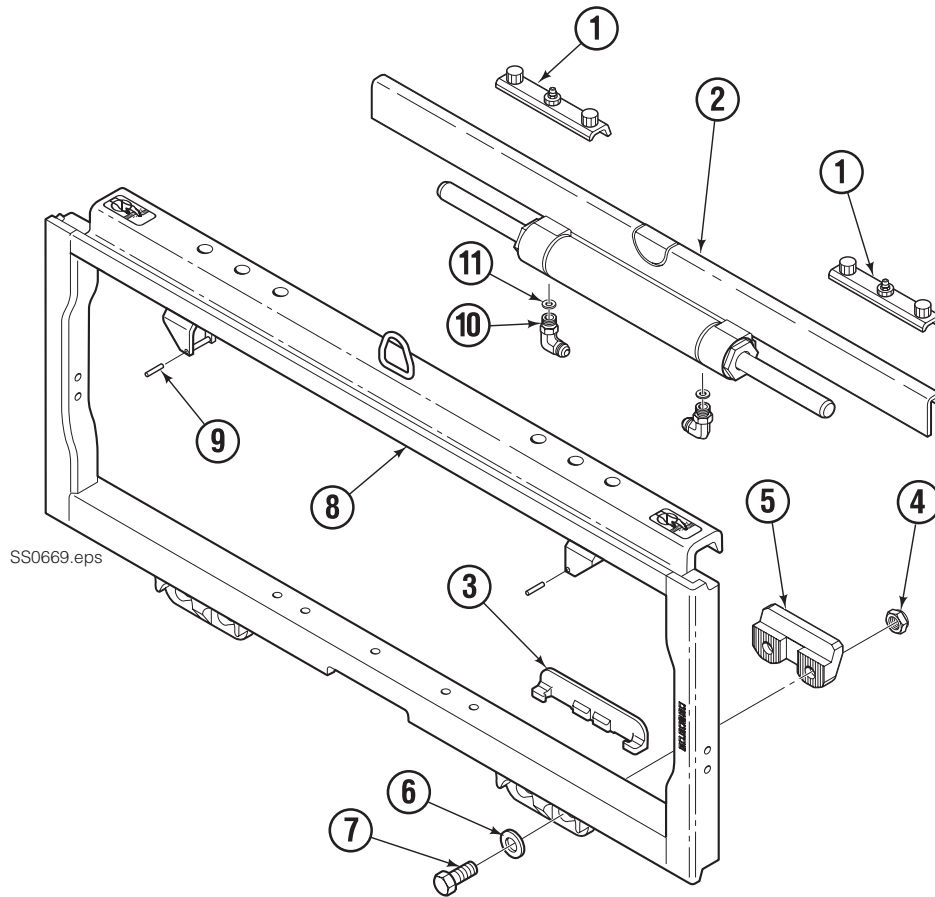
55K			
ASSEMBLY PART NO.	REF. NO. 1 CYLINDER SHELL QTY 2	REF. NO. 2 CYLINDER ROD QTY 2	REF. NO. 3 TUBE QTY 2
6054895	6054896 ★	6054897 ★	6054899

REF	QTY	PART NO.	DESCRIPTION
		6045406	Common Parts Group ◆
4	1	6043391	Manifold
5	2	6042443	Fork Carrier, Inner, 80/100 mm Fork
	2	6052301	Fork Carrier, Inner, 80/100/122 mm Fork ❖ ■
6	2	6042449	Fork Carrier, Outer
7	2	424115	Grease Fitting
8	2	6052709	Cylinder Head End
9	2	6042658	Restrictor Fitting
10	4	6039245	Shim
11	2	6039028	Cylinder Retainer
	2	6055787	Cylinder Retainer w/Seals (Items 12-14)
12	8	666183	O-Ring, Retainer OD ✖
13	2	6039179	Rod Seal, Retainer ✖
14	2	6039180	Rod Wiper, Retainer ✖
15	4	6042830	Half-Ring Keeper
16	2	6039172	Piston Wear Ring ✖
17	2	6047577	Piston Seal ✖
18	12	6039171	Bearing, Composite ✓
19	4	6043341	Shell Wiper ✓
20	2	6043316	Rod Retainer Plug
21	4	768824	Capscrew, M10 x 120
22	4	6042689	Fitting, M10 to 6 mm EO-2
23	2	6043332	Fitting, M10 to No.4 JIC ●
	2	6053537	Fitting, M10 to No. 4 ORFS ▼
24	4	769572	Capscrew, M12 x 35 ■
25	4	684660	Lockwasher, M12 ■
26	4	767615	Capscrew, M12 x 25
27	2	6052315	Spacer Bar
28	2	6054755	Rod Spacer ❖

- ◆ Includes items 4-22.
- ★ If cylinder shell or rod needs replacing due to bending damage, order complete Fork Positioner Assembly.
- ❖ Included in Retrofit Kit 6054753, converts 3 & 4 in. (80 & 100 mm) fork carrier to 5 in. (122 mm) fork carrier.
- Used with items 26 and 27 to fit 4 in. (100 mm) forks.
- ✖ Included in Cylinder Service Kit 6055389.
- ✓ Included in Composite Bearing Service Kit 6055390.
- Included in Fitting Group 6045440.
- ▼ Included in Fitting Group 6053538.
- Included in Mounting Kit 6045442.

Reference: SK-8117, SK-8277.

# Sideshift Assembly



SS0669.eps

55F							
REF	QTY	PART NO.	DESCRIPTION	REF	QTY	PART NO.	DESCRIPTION
1	2	228782	Upper Bearing	7	4	639121	◆ Capscrew. 5/8 x 1.50 (or)
2	1	602568a	Cylinder ▲		4	752903	◆ Capscrew, M16 x 45
3	2	6000719	Lower Bearing	8	1	60549a0	Frame ●
4	4	553857	◆ Nut, 5/8 (or)	9	2	7890	Roll Pin
	4	781534	◆ Nut, M16	10	2	601676	■ Fitting, 6-6
5	2	204186	◆ Lower Hook	11	2	221733	▼ Restrictor Washer
6	4	667225	◆ Washer				

▲ See Cylinder page for parts breakdown.

◆ Included in Lower Hook Group 204182.

Reference: Common Parts Group 219614,

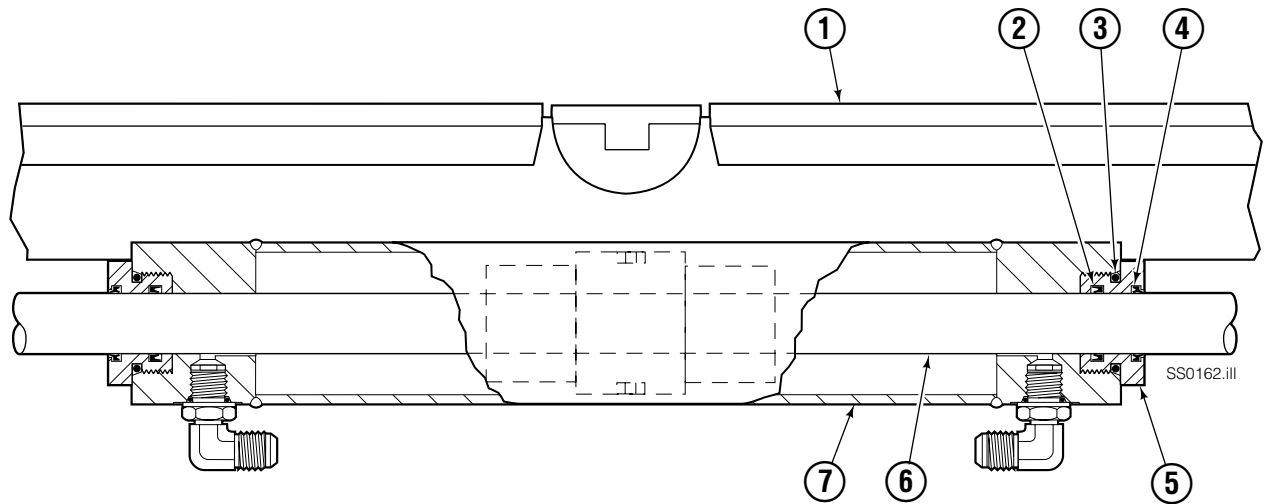
S-22752 - Type 1.

● If the Frame needs replacing, your best value is to order the complete Sideshift Assembly.

■ Included in Fitting Group 204179.

▼ Included in Restrictor Group 221732.

# Cylinder



55F			
REF	QTY	PART NO.	DESCRIPTION
1	1	6025687	Cylinder Assembly
2	2	562132	● Rod Seal
3	2	415866	● O-Ring, 70 Duro
4	2	562131	● Rod Wiper Seal
5	2	218324	Retainer/Seal Carrier
6	-	■	Rod/Piston Assembly
7	-	■	Cylinder Shell
		219868	Rod Seal Service Kit

● Included in Service Kit 219868.

■ Not serviceable, order new Cylinder Assembly.

Reference: S-21006.





**Do you have questions you need answered right now?** Call your nearest Cascade Parts Department. Visit us online at [www.cascorp.com](http://www.cascorp.com)

**Cascade Corporation  
U.S. Headquarters**  
2201 NE 201st  
Fairview, OR 97024-9718  
Tel: 800-CASCADE (227-2233)  
FAX: 888-329-8207

**Cascade Canada Inc.**  
5570 Timberlea Blvd.  
Mississauga, Ontario  
Canada L4W-4M6  
Tel: 905-629-7777  
FAX: 905-629-7785

**Cascade GmbH**  
Niederwippekühl 1  
58579 Schalksmühle  
Germany  
Tel: 02355-50900  
FAX: 02355-509020

**Cascade Finland**  
A. Petreliuksenkatu 3  
01370 Vantaa  
Finland  
Tel: 09-8361925  
FAX: 09-8361935

**Cascade N.V.  
Benelux Sales and Service**  
Damsluisweg 56  
PO Box 3009  
1300 El Almere  
The Netherlands  
Tel: 036-5492950  
FAX: 036-5492974

**Cascade Kenhar Ltd.**  
3 Kelbrook Road  
Parkhouse Ind. Estate  
Openshaw,  
Manchester M11 2DD  
England  
Tel: 0800-243015  
FAX: 0161-4384055

**Sales Scotland  
Macade Systems Ltd.**  
18 Melford Road  
Righead Ind. Estate  
Bellshill ML4 3LR  
Scotland  
Tel: 01698-845777  
FAX: 01698-845888

**Cascade (Africa) Pty. Ltd.**  
PO Box 625, Isando 1600  
60A Steel Road  
Sparton, Kempton Park  
South Africa  
Tel: 27-11-975-9240  
FAX: 27-11-394-1147

**Cascade Scandinavia AB**  
Hammarvägen 10  
PO Box 124  
S-56723 Vaggeryd  
Sweden  
Tel: 039-336950  
FAX: 039-336950

**Cascade France  
S.A.R.L. MHP**  
1D Rue De Charaintru BP 18,  
91360 Epinay-Sur-Orge  
France  
Tel: 01-6454-7500  
FAX: 01-6454-7501

**Cascade Hispania S.A.**  
Carrer 5, Sector C  
Zona Franca Duanera  
Poligono de la Zona Franca  
08040 Barcelona, Spain  
Tel: 93-264-07-30  
FAX: 93-264-07-31

**Cascade Italia S.R.L.**  
Via Dell'Artigianato 1  
37050 Vago di Lavagno (VR)  
Italy  
Tel: 39-045-8989111  
FAX: 39-045-8989160

**Movimenta Lda.**  
Parque Industrial  
Vale do Alecrim, Lote 108  
2950-403 Palmela  
Portugal  
Tel: 351-212387340  
FAX: 351-212387349

**Sales Switzerland  
Fahrzeugbedarf**  
8810, Horgen  
Switzerland  
Tel: 01-7279797  
FAX: 01-7279798

**Sales Poland**  
Targowa 35/61  
03-728 Warszawa  
Tel: 022-619 00 49  
FAX: 022-619 00 49  
Mobile Tel: 0501-27 29 55

**Sales Russia**  
EMCG Material Handling  
Equipment  
Moscow  
Tel: 095-795-2400  
FAX: 095-795-2475  
Email: [emcg@emcg.ru](mailto:emcg@emcg.ru)

**Cascade Japan Ltd.**  
2-23, 2-Chome,  
Kukuchi Nishimachi  
Amagasaki, Hyogo  
Japan, 661-0978  
Tel: 81-726-53-3490  
FAX: 81-726-53-3497

**Cascade Korea**  
121B 9L Namdong Ind.  
Complex, 691-8 Gojan-Dong  
Namdong-Ku  
Inchon, 405-310 Korea  
Tel: 82-32-821-2051  
FAX: 82-32-821-2055

**Cascade Australia**  
1445 Ipswich Road  
Rocklea, QLD 4107  
Australia  
Tel: 1-800-227-223  
FAX: 617-3373-7333

**Cascade New Zealand**  
15 Ra Ora Drive  
East Tamaki, Auckland  
New Zealand  
Tel: 64-9-273-9136  
FAX: 64-9-273-9137

**Cascade-Xiamen**  
No. 668 Yangguang Rd.  
Xinyang Industrial Zone  
Haicang, Xiamen City  
Fujian Province  
P.R. China 361026  
Tel: 86-592-651-2500  
FAX: 86-592-651-2571

**Sunstream Industries  
Pte Ltd.**  
No. 3 Tuas Link 1  
2263  
Singapore  
Tel: 65-6863-3488  
FAX: 65-6863-1368

**Cascade do Brasil  
LTDA**  
Rua João Guerra, 134  
Macuco, Santos - SP  
Brasil 11015-130  
Tel: 55-13-2105-8800  
Fax: 55-13-2105-8899

