



Parts Manual

Model _____ Fork Positioner

Catalog Number 100F-FPS-B141 R1

cascade®
corporation

For Technical Assistance call: 800-227-2233, Fax: 888-329-8207

To Order Parts call: 888-227-2233, Fax: 888-329-0234

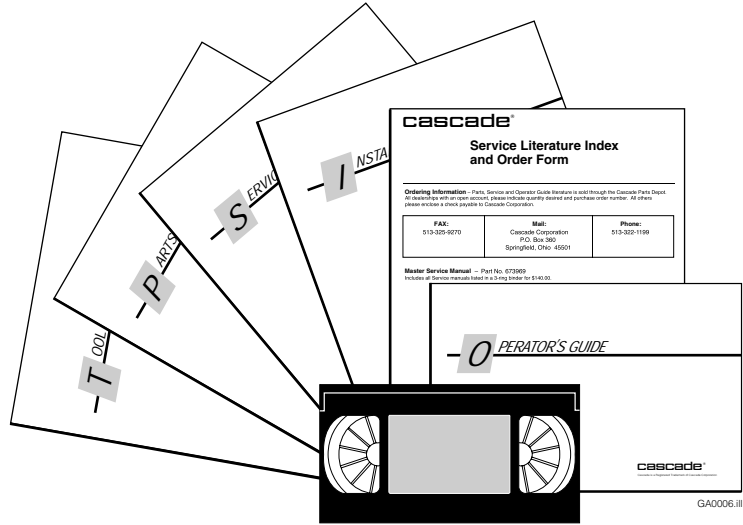
OR

Write: Cascade Corporation, P.O. Box 20187, Portland, OR 97220

Internet: www.cascorp.com

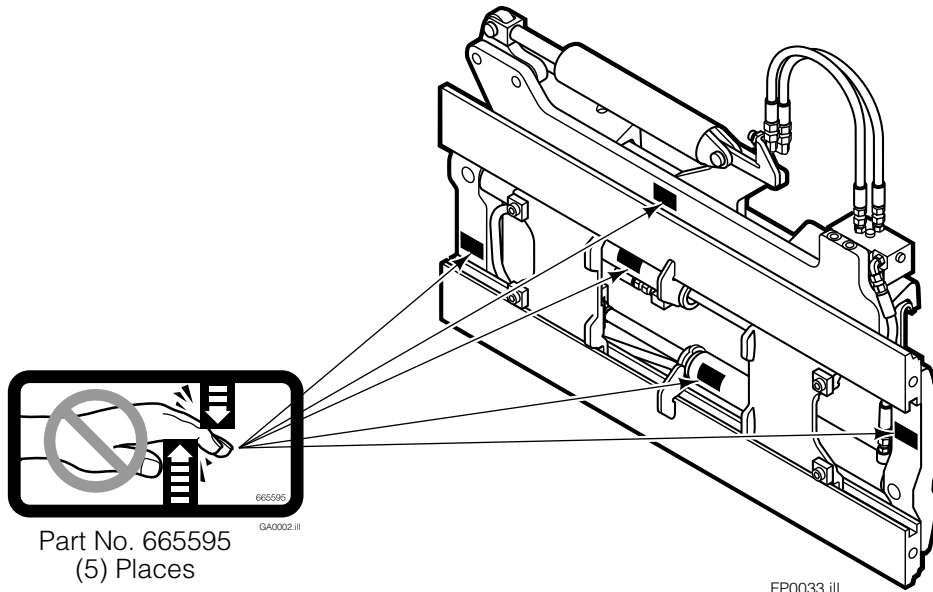
Blank

Publications

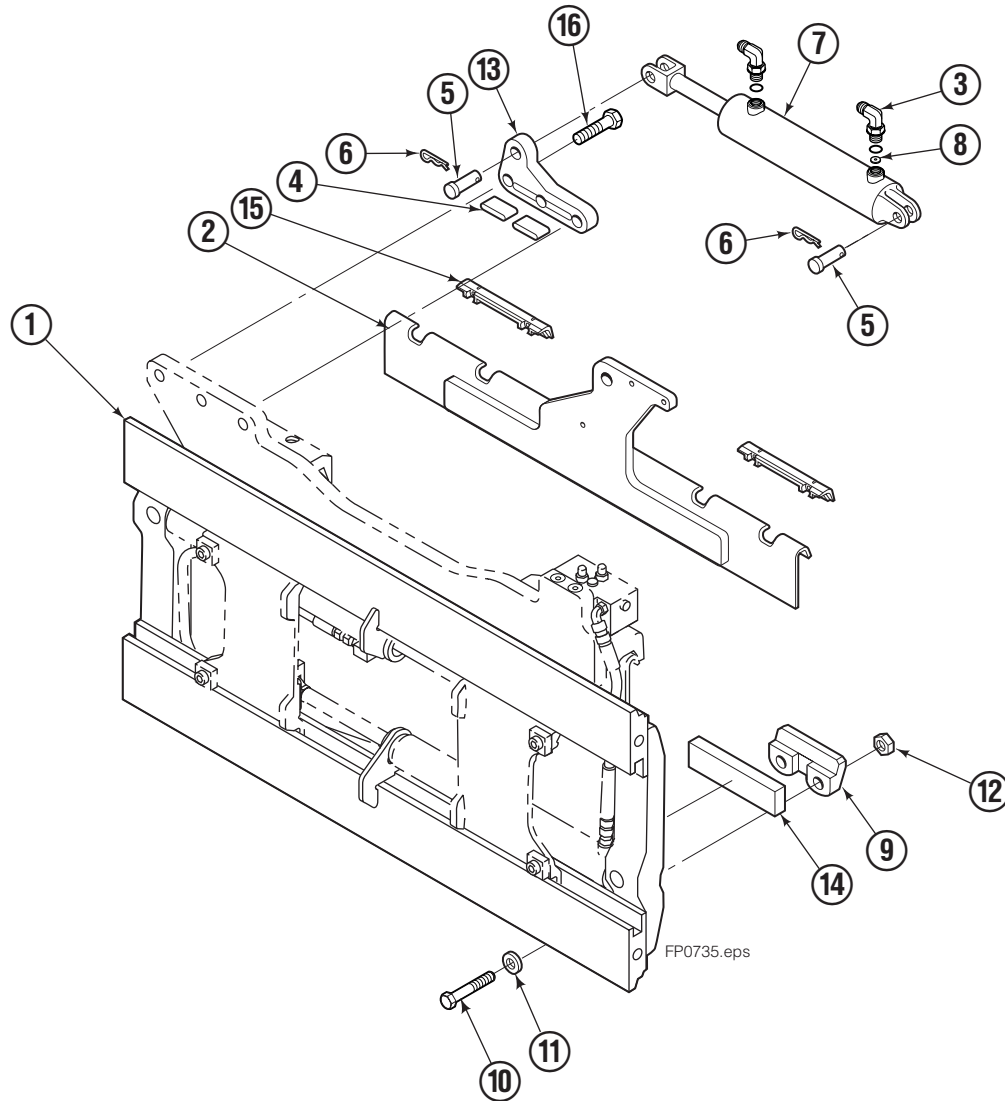


100F	
PART NO.	DESCRIPTION
	Parts Manual
208743	Service Manual
688261	Operators Guide
207363	Installation Instructions
680664	Servicing Cascade Cylinders-VHS
679929	Tool Catalog
673964	Literature Index Order Form

Safety Decals



Mounting Group Sideshifting



100F							
REF	QTY	PART NO.	DESCRIPTION	REF	QTY	PART NO.	DESCRIPTION
	●	209450	Mounting Group-R2	9	2	204186	Lower Hook
1	1	209384	Frame – 41" ■	10	4	752903	Capscrew, M16 x 45
2	1	209393	Anchor Bracket	11	4	667225	Washer
3	2	601676	Fitting, 6-6	12	4	678990	Nut, M16
4	2	209542	Key	13	1	209309	Lug
5	2	678528	Clevis Pin	14	2	208350	Lower Bearing
6	2	672726	Cotter Pin	15	2	672018	Upper Bearing
7	1	381839	Cylinder ▲	16	3	752907	Capscrew, M20 x 50
8	1	675550	Washer (orifice .085)				

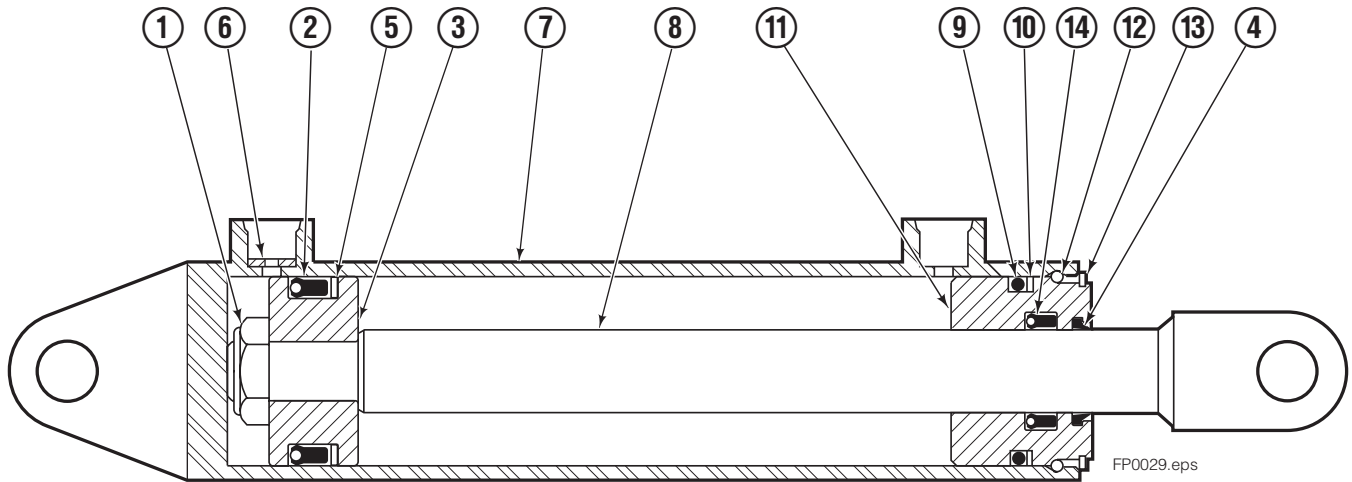
■ Carriage width.

▲ See Cylinder page for parts breakdown.

● Includes items 2 – 16 only.

Reference: S-4089, S-4094, S-4096, SK-6042.

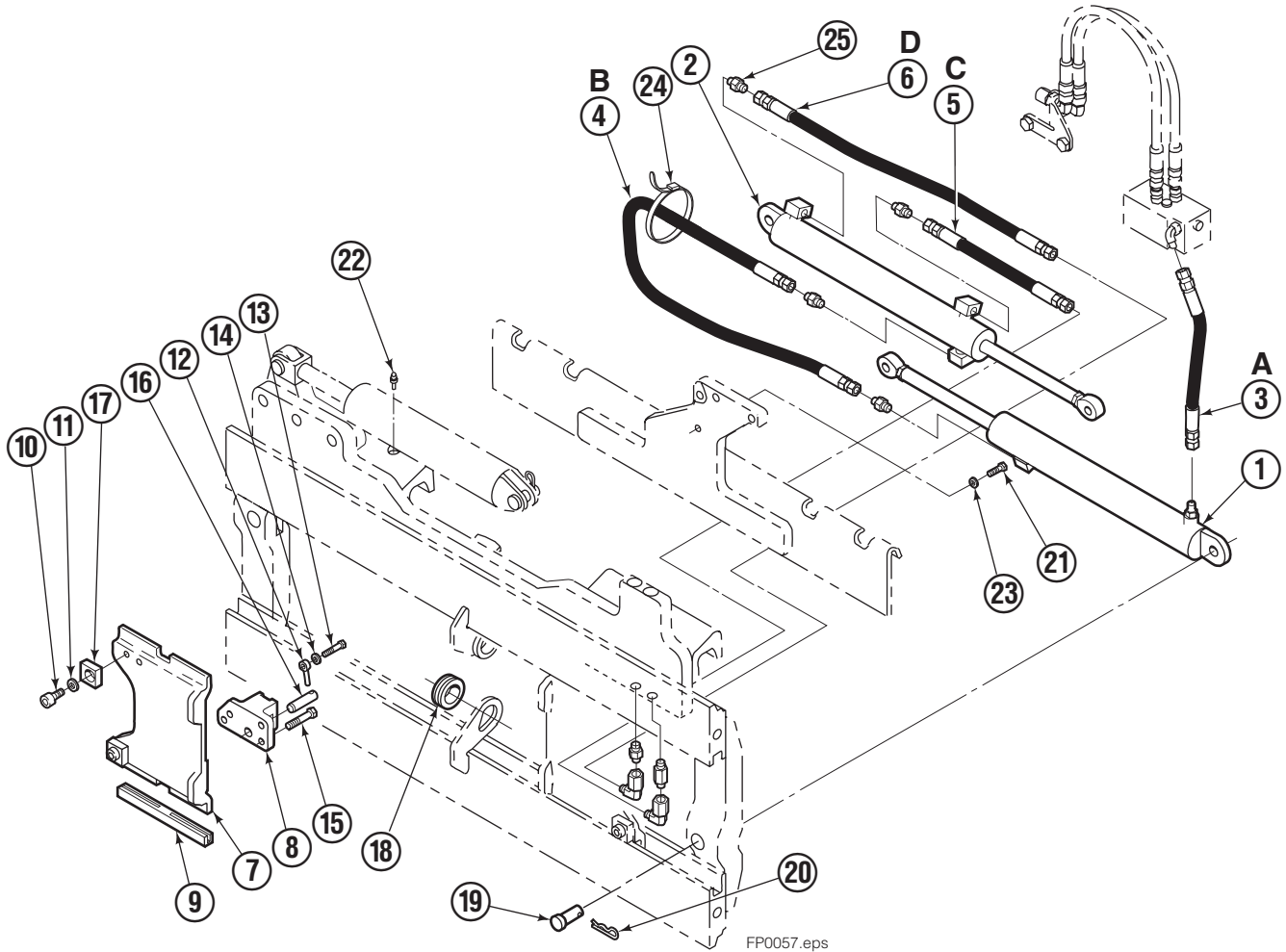
Sideshift Cylinder Assembly



100F			
REF	QTY	PART NO.	DESCRIPTION
		381839	Cylinder Assembly
1	1	678019	Nut
2	1	662456	◆ Seal
3	1	553527	Piston
4	1	636852	◆ Wiper
5	1	649817	◆ Nylon Ring
6	1	—	Washer
7	1	6119823	Shell
8	1	6119827	Rod
9	1	2789	◆ O-Ring
10	1	615132	◆ Back-Up Ring
11	1	553528	Retainer
12	1	553688	Retaining Ring
13	1	7211	Snap Ring
14	1	662447	◆ Seal
		553866	Service Kit

◆ Included in Service Kit 553866.

Hydraulic/Fork Group



100F							
REF	QTY	PART NO.	DESCRIPTION	REF	QTY	PART NO.	DESCRIPTION
	●	209464	Hydraulic Group	13	2	763169	Capscrew, M6 x 20
	□	209502	Fork Group-R2	14	2	680217	Lockwasher, M6
1	1	209486	Cylinder Assembly - LH ◆	15	8	684594	Capscrew, M10 x 20
2	1	209493	Cylinder Assembly - RH ◆	16	2	209308	Pin
3	1	209514	Hose, 14.17"	17	4	209306	Block
4	1	209521	Hose, 37.32"	18	2	209305	Grommet
5	1	209528	Hose, 15.67"	19	2	661675	Clevis Pin
6	1	209529	Hose, 27.80"	20	2	672726	Hairpin Cotter
7	2	209391	Fork Carrier	21	1	200788	Capscrew, M10 x 35
8	2	209280	Lug	22	2	7403	Grease Fitting
9	4	209303	Bearing	23	1	681238	Lockwasher, M10
10	4	768838	Capscrew, M16 x 30	24	1	200008	Cable Tie
11	4	678992	Lockwasher, M16	25	5	604511	Fitting, 6-6 ■
12	2	206923	Eyebolt				

◆ See Cylinder page(s) for parts breakdown.

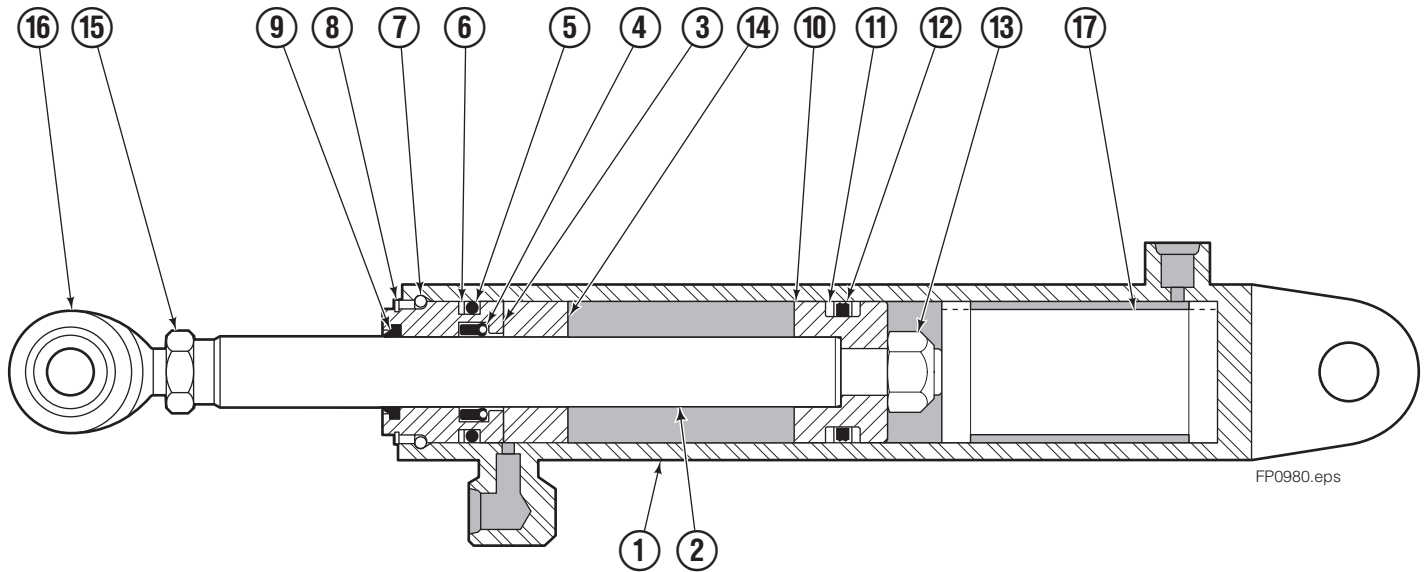
● Includes items 1 through 6.

□ Includes items 7 through 24.

■ Included in Flow Divider Group 209504.

Reference: S-4099, SK-6042.

Cylinder Assembly – Left Hand

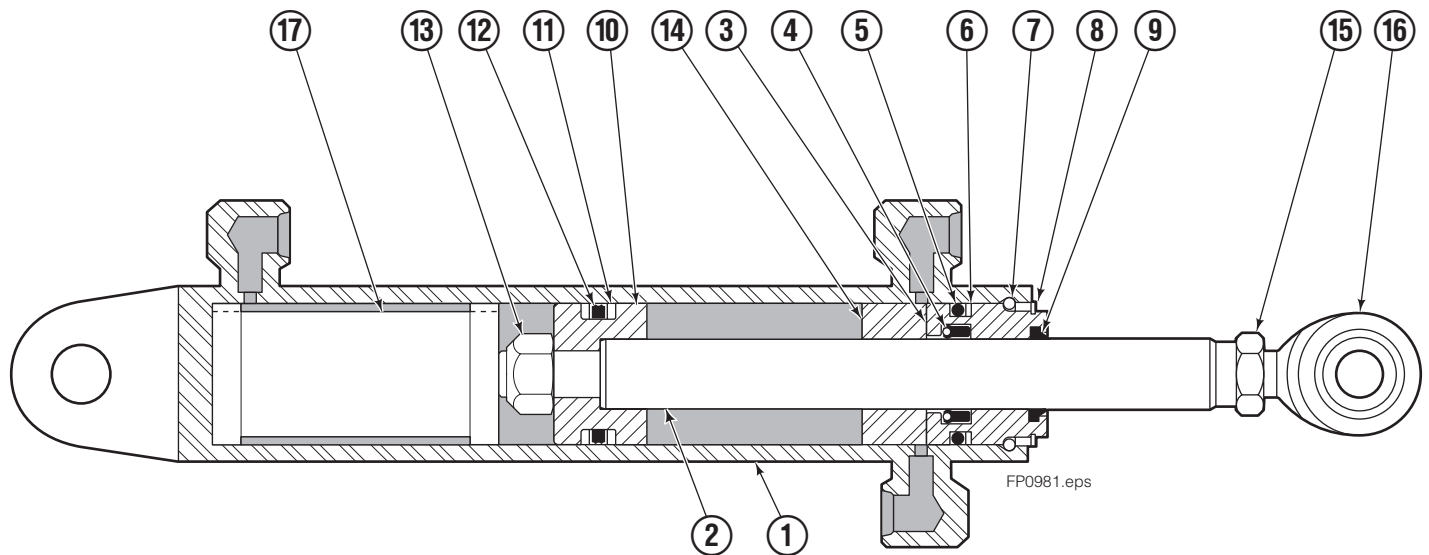


100F			
REF	QTY	PART NO.	DESCRIPTION
		209486	Cylinder Assembly
1	1	564486	Shell
2	1	564493	Rod
3	1	564451	Retainer
4	1	564406	◆ Rod Seal
5	1	562127	◆ O-Ring
6	1	563388	◆ Back-Up Ring
7	1	562942	Retaining Ring
8	1	562951	Snap Ring
9	1	564408	◆ Rod Wiper
10	1	6111613	Piston
11	2	563278	◆ Nylon Ring
12	1	564141	◆ Piston Seal
13	1	678019	Piston Nut
14	1	—	Spacer – Rod
15	1	5721	Nut
16	1	564452	Rod End
17	1	—	Spacer – Head
		564453	Service Kit

◆ Included in Service Kit 564453.

Reference: S-6142, S-6147.

Cylinder Assembly – Right Hand

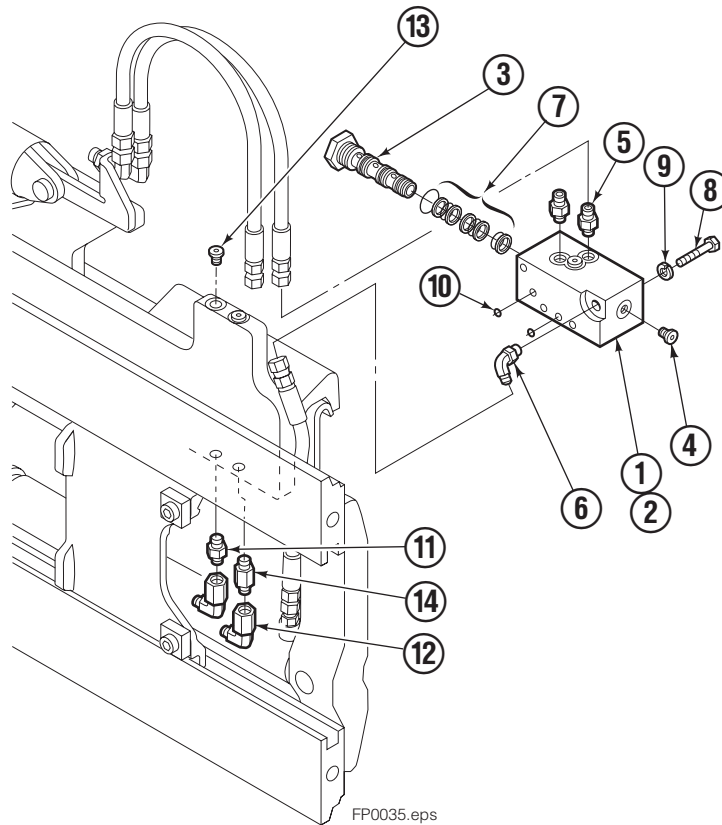


100F			
REF	QTY	PART NO.	DESCRIPTION
		209493	Cylinder Assembly
1	1	564500	Shell
2	1	564493	Rod
3	1	564451	Retainer
4	1	564406	◆ Rod Seal
5	1	562127	◆ O-Ring
6	1	563388	◆ Back-Up Ring
7	1	562942	Retaining Ring
8	1	562951	Snap Ring
9	1	564408	◆ Rod Wiper
10	1	6111613	Piston
11	2	563278	◆ Nylon Ring
12	1	564141	◆ Piston Seal
13	1	678019	Piston Nut
14	1	—	Spacer – Rod
15	1	5721	Nut
16	1	564452	Rod End
17	1	—	Spacer – Head
		564453	Service Kit

◆ Included in Service Kit 564453.

Reference: S-6143, S-6148.

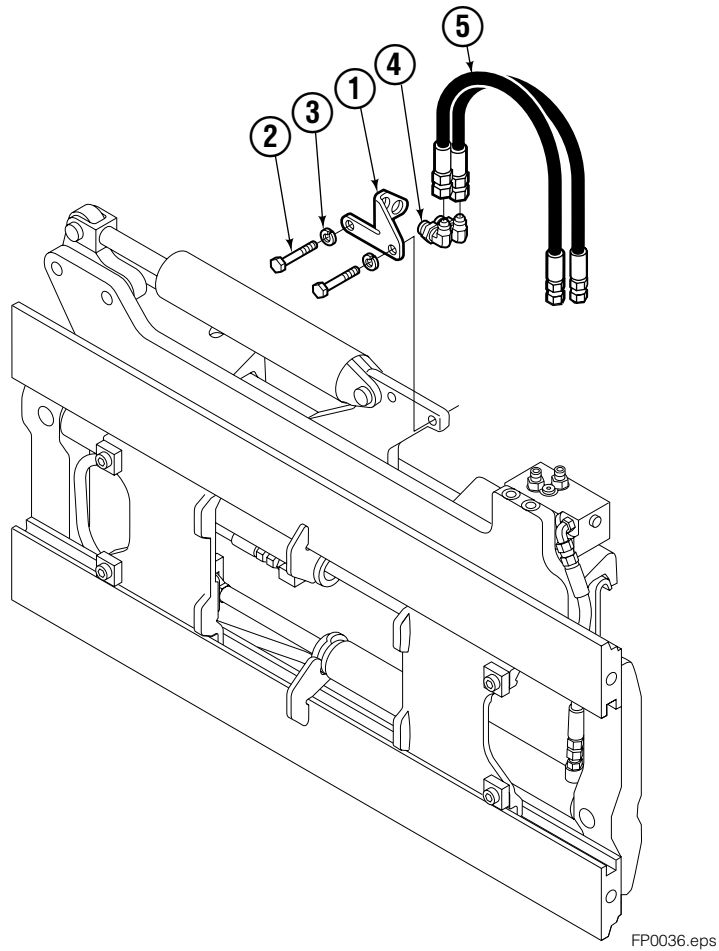
Flow Division Group



100F			
REF	QTY	PART NO.	DESCRIPTION
		209504	Flow Division Group
1	1	209310	Valve Assembly ■
2	1	209311	Valve Body
3	1	210266	Flow Divider/Combiner
4	2	663694	Fitting, 3
5	2	604511	Fitting, 6-6
6	1	601676	Fitting, 6-6
7	1	6071170	Service Kit
8	3	768792	Capscrew, M6 x 60
9	3	678993	Lockwasher, M6
10	2	207300	O-Ring
11	6	604511	Fitting, 6-6
12	2	2680	Fitting, 6-6
13	2	604510	Fitting, 6
14	1	605743	Fitting, 6-6

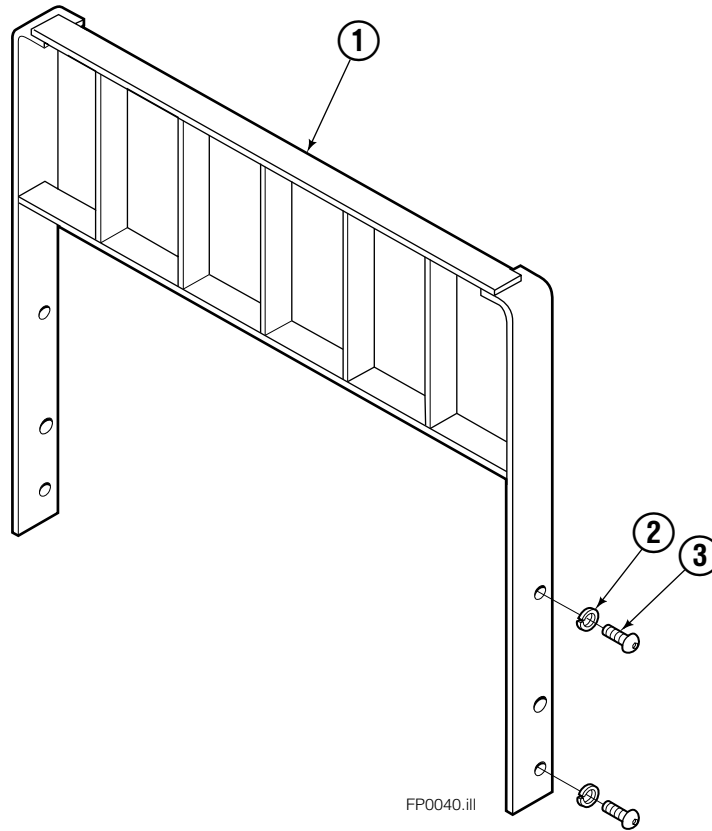
■ Includes items 1 – 7.

Standard Installation Group



100F			
REF	QTY	PART NO.	DESCRIPTION
		209506	Installation Group
1	1	207314	Bracket
2	2	762899	Capscrew, M10X20-8.8
3	2	681238	Lockwasher
4	2	2453	Fitting, 8-8
5	2	207425	Hose

Backrest



100F			
REF	QTY	PART NO.	DESCRIPTION
1	1	209472	Backrest-41x48 in. (1041x1219 mm) ■
2	4	684586	Lockwasher, M16
3	4	200173	Capscrew, M16 x 35

■ Width by Height.

Reference: S-4098, Common Parts 684740.

Recommended Spare Parts List

Fork Positioner 100F-FPS-B141 R1				
PART NUMBER	DESCRIPTION	ATTACHMENTS SERVICED		
		1-5	6-15	16-50
	MOUNTING GROUP			
672018	Upper Bearing	2	4	4
208350	Lower Bearing	2	4	8
204186	Lower Hook	2	4	4
678528	Clevis Pin (sideshifting only)	0	2	2
	SIDESHIFT CYLINDER			
381839	Cylinder Assembly	0	1	1
553866	Service Kit	1	2	4
	HYDRAULIC / FORK GROUP			
209514	Hose	0	1	2
209521	Hose	0	1	2
209528	Hose	0	1	2
209529	Hose	0	1	2
209305	Grommet	2	4	8
661675	Clevis Pin	2	4	4
209391	Fork Carrier	1	2	2
206923	Eyebolt	1	2	2
209308	Pin	1	2	2
209303	Bearing	2	4	8
	FORK POSITIONER CYLINDER			
209486	Cylinder Assembly - LH	0	1	2
209493	Cylinder Assembly - RH	0	1	2
564453	Service Kit	2	4	8
	FLOW DIVIDER VALVE			
209310	Valve Assembly	0	1	2
6071170	Service Kit	1	2	4
210266	Cartridge	1	2	2
207300	O-Ring	2	4	6
	PAINT			
678236	12 oz. Aerosol Cascade Black	1	2	2
	PUBLICATIONS			
	Parts Manual	1	1	1
208743	Service Manual	1	1	1
207363	Installation Instructions	1	1	1
688261	Operator's Guide	1	1	1
679929	Tool Catalog	1	1	1
	VIDEOS			
680664	Servicing Cascade Cylinders	1	1	1

Do you have questions you need answered right now?

Call your nearest Cascade Parts Department.

Visit us online at www.cascorp.com

AMERICAS

**Cascade Corporation
Parts Sales**

2501 Sheridan Ave.
Springfield, OH 45505
Tel: 888-CASCADE (227-2233)
Fax: 888-329-0234

Cascade Canada Inc.

5570 Timberlea Blvd.
Mississauga, Ontario
Canada L4W-4M6
Tel: 905-629-7777
Fax: 905-629-7785

Cascade do Brasil

Rua João Guerra, 134
Macuco, Santos - SP
Brasil 11015-130
Tel: 55-13-2105-8800
Fax: 55-13-2105-8899

EUROPE-AFRICA

**Cascade Italia S.R.L.
European Headquarters**

Via Dell'Artigianato 1
37030 Vago di Lavagno (VR)
Italy
Tel: 39-045-8989111
Fax: 39-045-8989160

Cascade (Africa) Pty. Ltd.

PO Box 625, Isando 1600
60A Steel Road
Sparton, Kempton Park
South Africa
Tel: 27-11-975-9240
Fax: 27-11-394-1147

ASIA-PACIFIC

Cascade Japan Ltd.

2-23, 2-Chome,
Kukuchi Nishimachi
Amagasaki, Hyogo
Japan, 661-0978
Tel: 81-6-6420-9771
Fax: 81-6-6420-9777

Cascade Korea

121B 9L Namdong Ind.
Complex, 691-8 Gojan-Dong
Namdong-Ku
Inchon, Korea
Tel: +82-32-821-2051
Fax: +82-32-821-2055

Cascade-Xiamen

No. 668 Yangguang Rd.
Xinyang Industrial Zone
Haicang, Xiamen City
Fujian Province
P.R. China 361026
Tel: 86-592-651-2500
Fax: 86-592-651-2571

**Cascade India Material
Handling Private Limited**

No 34, Global Trade Centre
1/1 Rambaugh Colony
Lal Bahadur Shastri Road,
Navi Peth, Pune 411 030
(Maharashtra) India
Phone: +91 020 2432 5490
Fax: +91 020 2433 0881

Cascade Australia Pty. Ltd.

1445 Ipswich Road
Rocklea, QLD 4107
Australia
Tel: 1-800-227-223
Fax: +61 7 3373-7333

Cascade New Zealand

15 Ra Ora Drive
East Tamaki, Auckland
New Zealand
Tel: +64-9-273-9136
Fax: +64-9-273-9137

**Sunstream Industries
Pte. Ltd.**

18 Tuas South Street 5
Singapore 637796
Tel: +65-6795-7555
Fax: +65-6863-1368

