



Parts Manual

Model F-Series Sideshifter

Serial Number 55F-SSS-502

cascade[®]

For Technical Assistance call: 800-227-2233, Fax: 888-329-8207

To Order Parts call: 888-227-2233, Fax: 888-329-0234

OR

Write: Cascade Corporation, P.O. Box 20187, Portland, OR 97220

Internet: www.cascorp.com

INSPECTION & MAINTENANCE



WARNING: After completing any service procedure, always test the sideshifter through five complete cycles. First test with no load, then test with a load to make sure the attachment operates correctly before returning it to the job.

Daily

Check items shown each day. Report problems to your supervisor. See Service Manual for maintenance and repair procedures.

100-Hour

Every time the lift truck is serviced or every 100 hours of truck operation, whichever comes first, complete the following maintenance procedures:

- Check for loose or missing bolts, worn or damaged hoses, hydraulic leaks, and damaged or missing fork stops.
- Inspect clearance between sideshifter lower hooks and truck lower carriage bar (Refer to Step 4, Installation). Tighten lower hook capscrews to 120 ft.-lbs (165 Nm).

500-Hour

After each 500 hours of truck operation, in addition to the 100-hour maintenance, perform the following procedures:

- Tighten backrest capscrews (Cascade) to 145 ft.-lbs. (195 Nm).
- Apply general-purpose lithium-based chassis grease to Sideshifter upper and lower bearings.



1000-Hour

After each 1000 hours of truck operation, in addition to the 100 and 500-hour maintenance, perform the following procedures:

- Inspect upper and lower bearings for wear. If any bearing is worn to less than 3/32 in. (2.5 mm) thickness, replace the entire bearing set. See Service Manual for replacement procedure.
- Inspect forks for wear (Use Cascade fork bar wear gauge 209560 and fork wear calipers 686093).

PARTS

Product Identification – This Section shows replacement parts for F-Series Sideshifters. The product model number and serial number are stamped on the back surface of the LH vertical bar (driver's view), and must be provided when ordering replacement parts. The cylinder/anchor bracket assembly part number is stamped on the front surface RH end of the anchor bracket (driver's view).



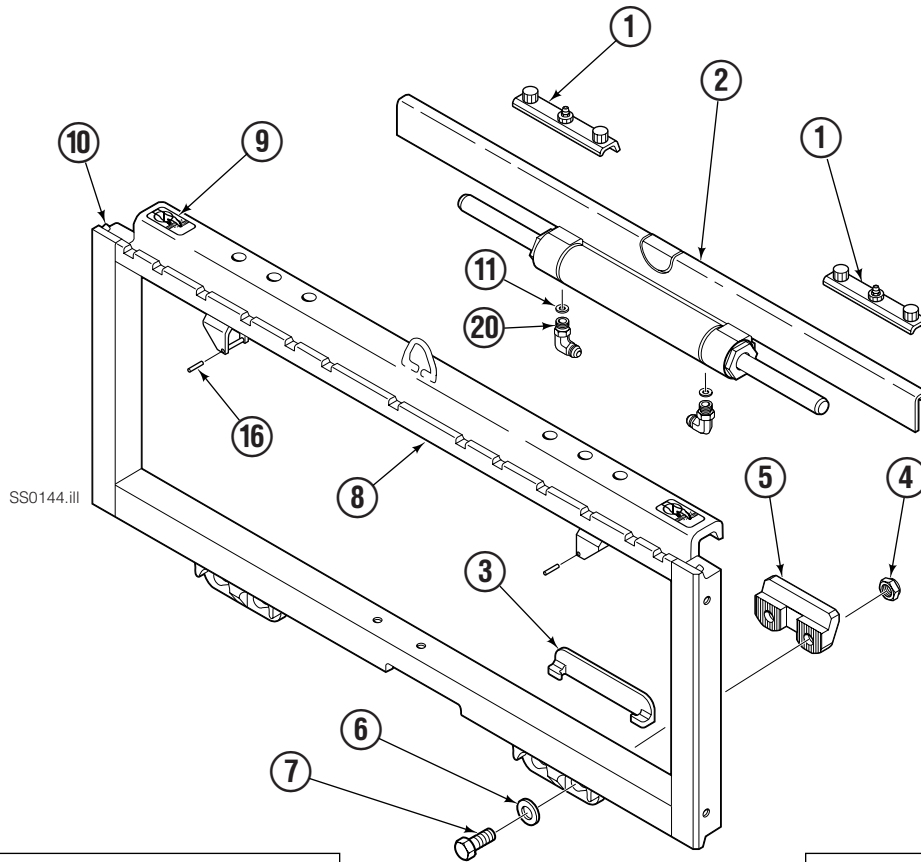
WARNING: For the safety of yourself and others, DO NOT install the parts shown in this Manual unless you have thoroughly reviewed the appropriate Service Manual.

Stamped model number, serial number, specifications.

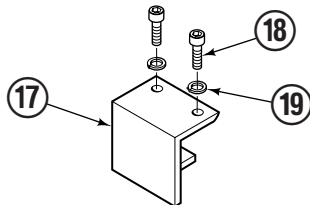
Sticker showing patent numbers, phone numbers for service.



Back (Driver's View)



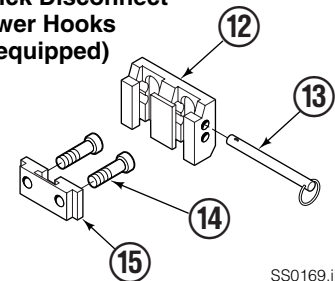
Optional Pallet Guard



SS0174.iii

Front View

Quick Disconnect Lower Hooks (if equipped)



SS0169.iii

55F							
REF	QTY	PART NO.	DESCRIPTION	REF	QTY	PART NO.	DESCRIPTION
1	▼	228782	Upper Bearing	13	2	678832	Pin, Q.D.
1	▼	228782	Upper Bearing	14	4	683182	Capscrew, M16 x 35
2	1	21006-5	Cylinder Assembly ■	15	2	675515	Guide
3	▼	6000719	Lower Bearing	16	2	7891	Roll Pin
★ 4	4	553857	Nut, 5/8 NC, G5	◆17	1	220689	Pallet Guard
★ 4	4	781534	Nut, M16	◆18	2	769573	Capscrew, M16
★ 5	2	204186	Lower Hook	◆19	2	684586	Lockwasher
★ 6	4	667225	Washer, 5/8 HS	20	2	601676	Fitting-90, JIC 6-6
★ 7	4	639121	Capscrew, 5/8 NC x 1.5, G5		2	207304	Fitting-90, JIC 6-6, Long
★ 7	4	766154	Capscrew, M16 x 45, G8.8		2	667222	Fitting-90, JIC 5-6
8	1	10090-540	Frame ●		2	666984	Fitting-90, JIC 4-6
9	2	221906	Safety Decal		2	604511	Fitting-STR, JIC 6-6
10	1	219400	Fork Stop Kit (Includes 2 stops)		2	211807	Fitting-90, Face Seal Adpt 4-6
11	2	221733	Flow Restrictor, 1.5 mm		2	220832	Fitting-STR, Face Seal Adpt 4-6
12	2	675514	Q.D. Lower Hook, Class II		1	204182	Lower Hook Service Kit

● If Frame needs replacing, order complete Sideshift Assembly.

★ Included in Lower Hook Group 204182.

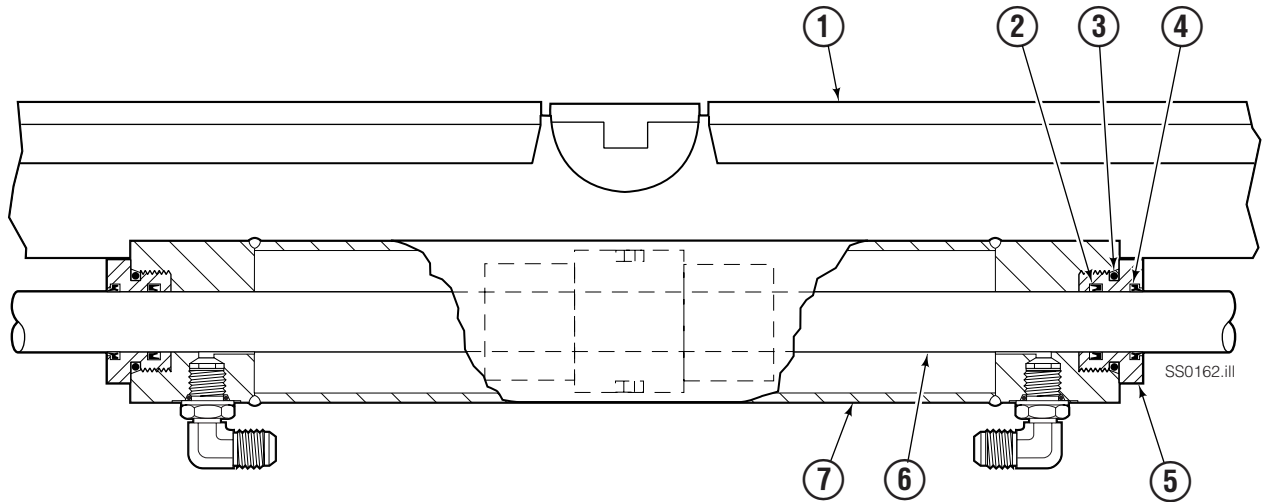
■ See Cylinder page for parts breakdown.

▼ Quantity as required.

Reference: Fitting Group 204179, Common Parts 219614, Restrictor Washer Group 221732, Lower Hook Group 683179.

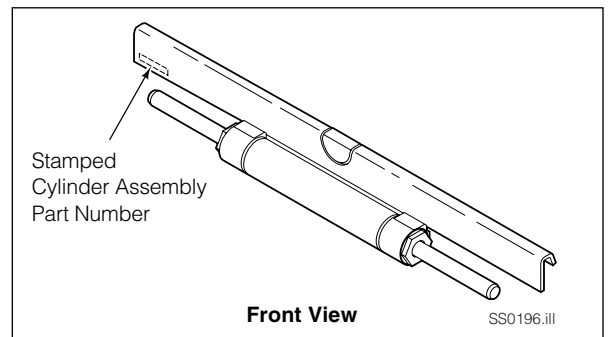
PARTS

Cylinder Assembly



55F			
REF	QTY	PART NO.	DESCRIPTION
1	1	21006-5	Cylinder Assembly ■
●2	2	562132	Rod Seal
●3	2	415866	O-Ring, 70 Duro
●4	2	562131	Rod Wiper Seal
5	2	218324	Retainer/Seal Carrier
6	—	■	Rod/Piston Assembly
7	—	■	Cylinder Shell
		219868	Rod Seal Service Kit

- Included in Service Kit 219868.
 - Not serviceable, order new Cylinder Assembly.
 - ◆ Refer to complete part number stamped on anchor bracket, or serial number stamped on frame.
- Reference: S-10039



Recommended Spare Parts

55F		UNITS SERVICED		
PART NUMBER	DESCRIPTION	1-5	6-19	20-50
BASE UNIT AND MOUNTING				
228782	Upper Bearing	8	16	32
6000719	Lower Bearing	6	12	24
204186	Lower Hook	0	2	4
■	Capscrew	0	4	8
■	Nut	0	4	8
667225	Washer	0	4	8
CYLINDER				
10039-4■	Cylinder Assembly	0	0	1
219868	Cylinder Service Kit	1	2	4

■ See specific parts page for part number.

Publications



55F	
PART NO.	DESCRIPTION
219941	User Manual (Operation, Installation, Parts)
220526	Service Manual
679929	Tool Catalog
673964	Literature Index Order Form

Do you have questions you need answered right now? Call your nearest Cascade Parts Department.

Cascade Corporation
2501 Sheridan Avenue
Springfield, OH 45505
Tel: 888-CASCADE (227-2233)
FAX: 888-329-0234
www.cascorp.com

Cascade Canada Inc.
5570 Timberlea Blvd.
Mississauga, Ontario
Canada L4W-4M6
Tel: 905-629-7777
FAX: 905-629-7785

Cascade GmbH
D-41199 Monchengladbach
Klosterhofweg 52
Germany
Tel: 21-66-602091
FAX: 21-66-680947

Cascade Finland
01370 Vantas
Finland
Tel: 358-0-836-1925
FAX: 358-0-836-1935

**Cascade N.V.
European Headquarters**
P.O. Box 3009
1300 El Almere
Damsluisweg 56
1332 ED Almere
The Netherlands
Tel: 31-36-5492911
FAX: 31-36-5492964

**Cascade N.V.
Benelux Sales and Service**
P.O. Box 3009
1300 El Almere
Damsluisweg 56
1332 ED Almere
The Netherlands
Tel: 31-36-5492950
FAX: 31-36-5492974

Cascade (UK) Ltd.
15, Orgreave Crescent
Dore House Industrial Estate
Handsworth
Sheffield S13 9NQ
England
Tel: 742-697524
FAX: 742-695121

**Cascade Scandinavia
Hydraulik A.B.**
Muskötgatan 19, E8-9
S25466 Helsingborg
Sweden
Tel: 42-151135
FAX: 42-152997

Cascade Norway
Østerliveien 37A
1153 Oslo
Norway
Tel: 47-22-743160
FAX: 47-22-743157

Cascade France S.A.R.L.
11, Rue Jean Charcot
Zone Industrielle Sud or
B.P. 22
91421 Morangis Cedex
France
Tel: 1- 64547501
FAX: 1-9790584

Cascade Hispania S.A.
Avenida De La Fabregada, 7
Hospitalet De Llobregat
Barcelona
Spain
Tel: 3-335-5158
FAX: 3-335-4756

Cascade Japan Ltd.
5-5-41,
Torikai Kami
Settsu, Osaka
Japan, 566
Tel: 81-726-53-3490
FAX: 81-726-53-3497

Cascade Korea
Room 508, Pum Yang Bldg.
750-14, Bang Bac-Dong
Se-Cho Ku, Seoul
Korea
Tel: 2599-7131 ext. 512
FAX: 2533-8089

HYCO-Cascade Pty. Ltd.
1445 Ipswich Road
Rocklea,
Queensland 4107
Australia
Tel: 3-274-2722
FAX: 3-274-3456

HYCO-Cascade (NZ) Ltd.
15 Ra Ora Drive, East Tamaki
P.O. Box 38-440
Howick, Auckland
New Zealand
Tel: 9-273-9136
FAX: 9-273-9137

Cascade (Africa) Pty. Ltd.
P.O. Box 625, Isando 1600
60A Steel Road
Sparton, Kempton Park
South Africa
Tel: 975-9240
FAX: 394-1147

Cascade-Xiamen
Wanshan No. 1 Workshop
Huli Road
Xiamen 361006
Fujian, PRC
Tel: 592-562-4600
FAX: 592-562-4671

**Cascade (Singapore)
Trading Co.**
Four Seasons Park
Autumn Block - Apt. 1802
12 Cascaden Walk
Singapore
Tel: 65-834-1935
FAX: 65-834-1936

