



# Parts Manual

---

Model \_\_\_\_\_ **Fork Positioner**

Serial Number \_\_\_\_\_ **120C-HS-039**

---

**cascade**®

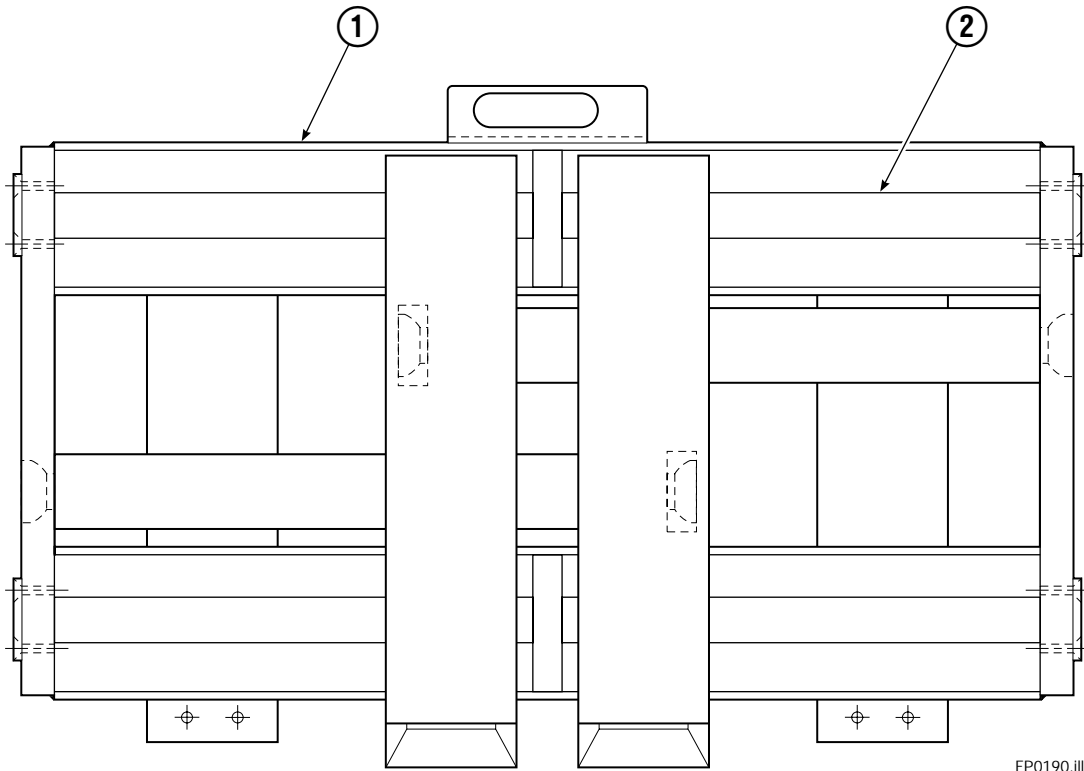
For Technical Assistance call: 800-227-2233, Fax: 888-329-8207

To Order Parts call: 888-227-2233, Fax: 888-329-0234

OR

Write: Cascade Corporation, P.O. Box 20187, Portland, OR 97220

# Frame Group

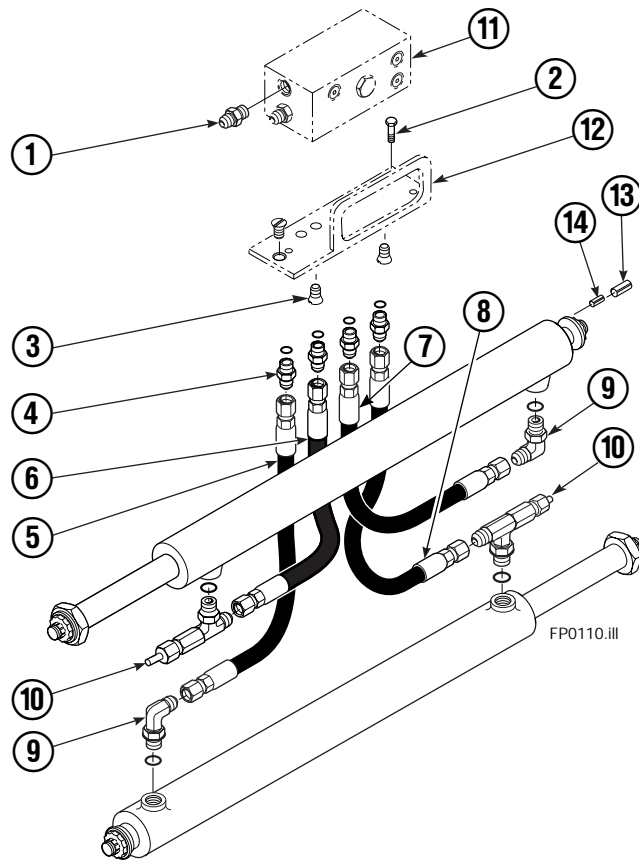


FP0190.iii

REF	QTY	PART NO.	DESCRIPTION
		3008330	Frame Group, 71 in.
1	1	3008910	Frame
2	2	3008914	Shaft

Reference: Hydraulic Group 381520  
 Hose Group 384642  
 Cylinder 3008915  
 Common Parts 381515

# Hydraulic Valve Group



REF	QTY	PART NO	DESCRIPTION
		381520	Hydraulic Valve Group ★
		384642	Hose Group ▲
1	1	601377	Fitting, 8-8
2	1	643524	Capscrew
3	3	4750	Capscrew, .375x.750
4	4	611288	Fitting, 6-8
5	1	675057	Hose
6	1	201264	Hose
7	1	201264	Hose
8	1	675057	Hose
9	2	601676	Fitting-90, 6-6
10	2	617487	Elbow Restrictor ●
11	1	668861	Valve Assembly ■
12	1	844137	Bracket
13	2	7961	Roll Pins
14	2	7882	Roll Pins

★ Includes items 1-4 & 9-12 only.

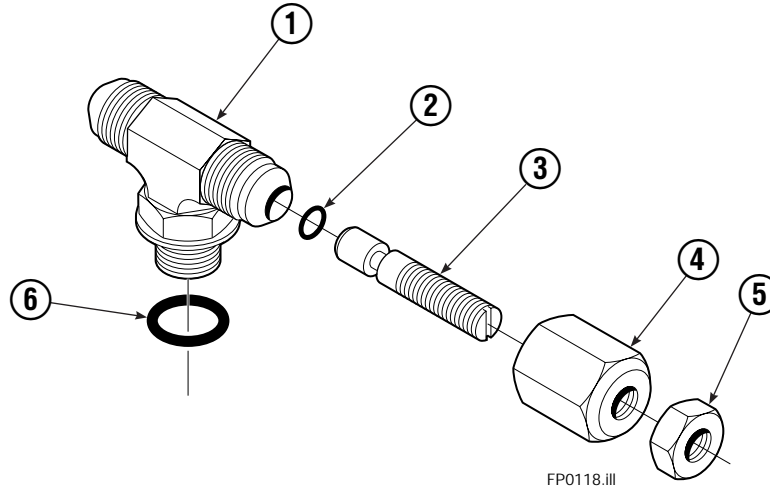
▲ Includes items 5-8 only.

● See Restrictor Fitting page for parts breakdown.

■ See Valve Assembly page for parts breakdown.

Reference: S-8704

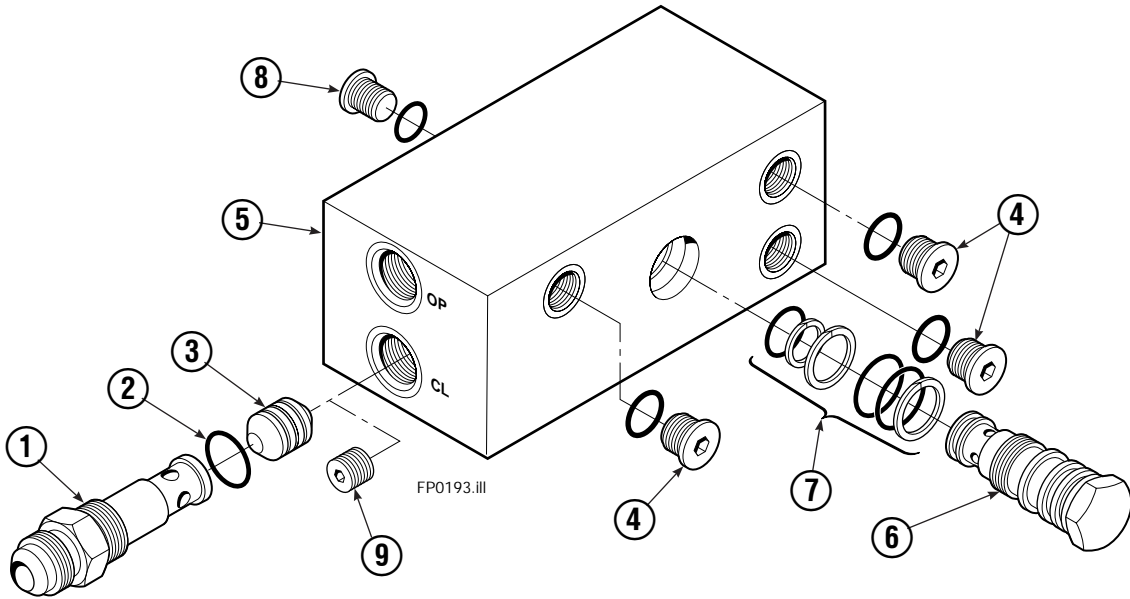
# Restrictor Fitting



FP0118.III

REF	QTY	PART NO.	DESCRIPTION
		617487	Restrictor Assembly
1	1	617486	Tee
2	1	2698	O-Ring
3	1	11100	Setscrew
4	1	11099	Cap
5	1	5715	Jam Nut
6	1	2840	O-Ring

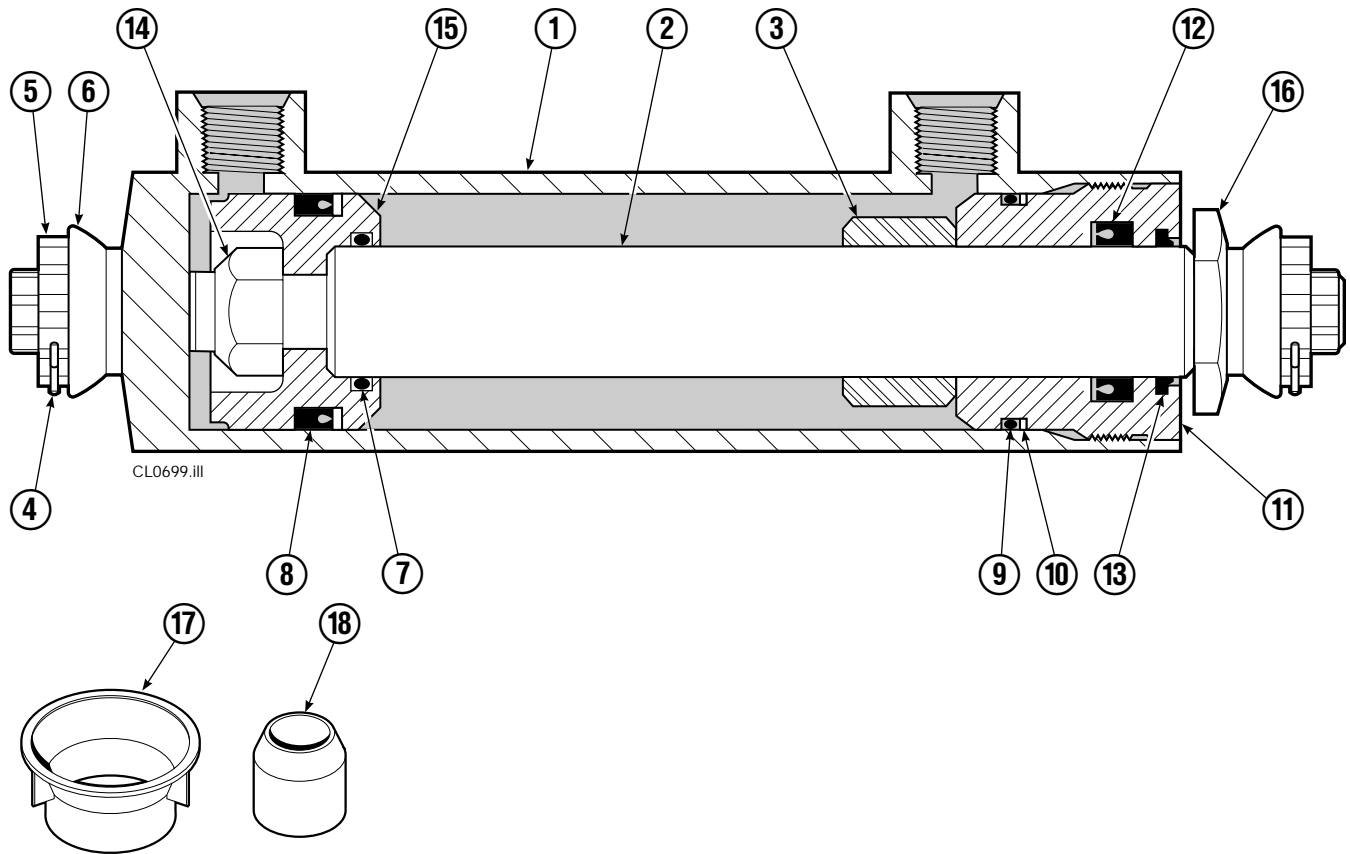
# Valve Assembly



REF	QTY	PART NO.	DESCRIPTION
		668861	Check Valve
1	1	667490	Special Fitting
● 2	2	2841	O-Ring
3	1	667471	Spool
4	3	609455	Fitting
5	1	668862	Valve Body
6	1	678270	Check Valve - V.P.O.
● 7	1	661347	Service Kit
8	1	604510	Fitting, 6
■ 9	1	676343	Regeneration Elimination Plug
		668864	Service Kit

- Included in Service Kit 668864.
- For eliminating regeneration circuit only.  
(See Technical Bulletin Number 121)

# Cylinder



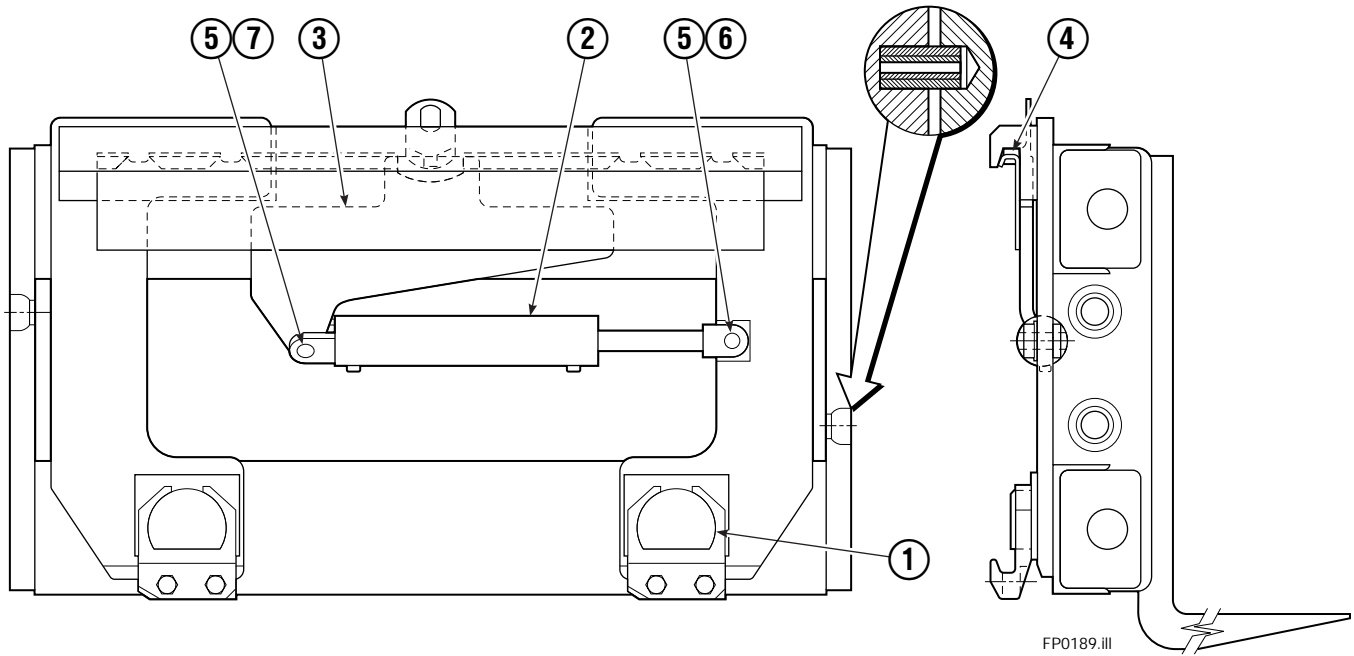
REF	QTY	PART NO.	DESCRIPTION
		3008915	Cylinder Assembly
1	1	3008883	Shell
2	1	3008916	Rod
3	1	3005523	Spacer
4	2	6511	Cotter Pin ■
5	2	667667	Nut Retainer ■
6	2	667668	Nut ■
7	1	2722	O-Ring ✕
8	1	557376	Seal ✕
9	1	2791	O-Ring ✕
10	1	615134	Back-Up Ring ✕
11	1	667675	Retainer
12	1	662451	Seal ✕
13	1	564930	Wiper ✕
14	1	561012	Nut
15	1	558402	Piston
16	1	667676	Washer
17	1	671049	Seal Loader, Piston ✕
18	1	671052	Seal Loader, Retainer ✕
		667723	Service Kit

✕ Included in Service Kit 667723.

■ Included in Nut Service Kit 668925.

Reference: S-5564, S-5565.

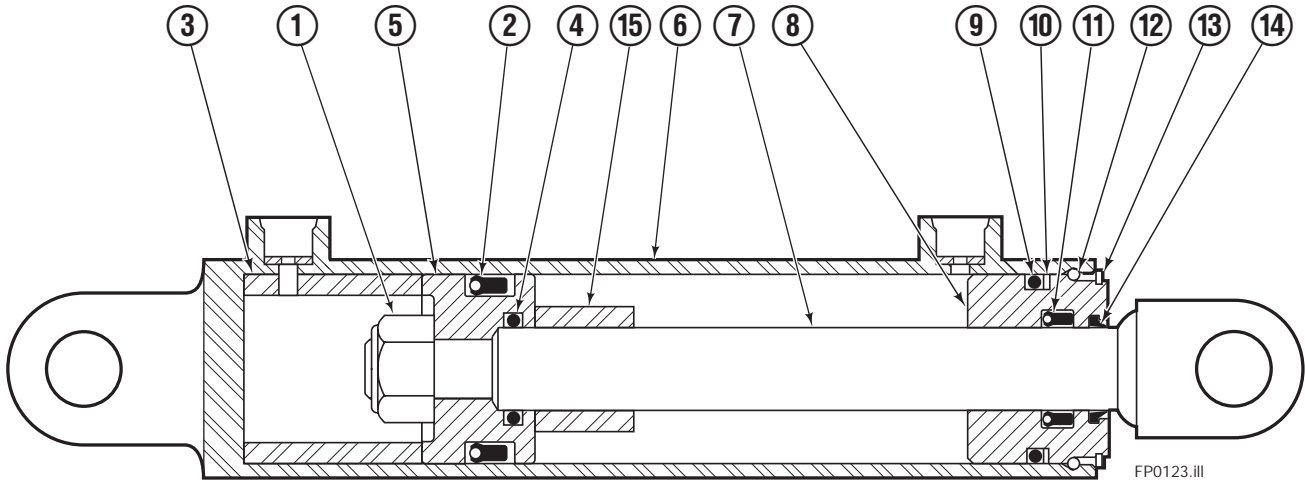
# Common Parts Group



120/150C			
REF	QTY	PART NO.	DESCRIPTION
		381515	Common Parts Group
1	2	676650	Bearing - Lower
2	1	686243	Cylinder Assembly ▲
3	1	841031	Anchor Bracket Weldment
4	2	672018	Bearing Segment - Upper
5	2	686217	Cotter Pin
6	1	686214	Pin - Clevis
7	1	686215	Pin - Clevis

▲ See Sideshift Cylinder page for parts breakdown.

# Sideshift Cylinder

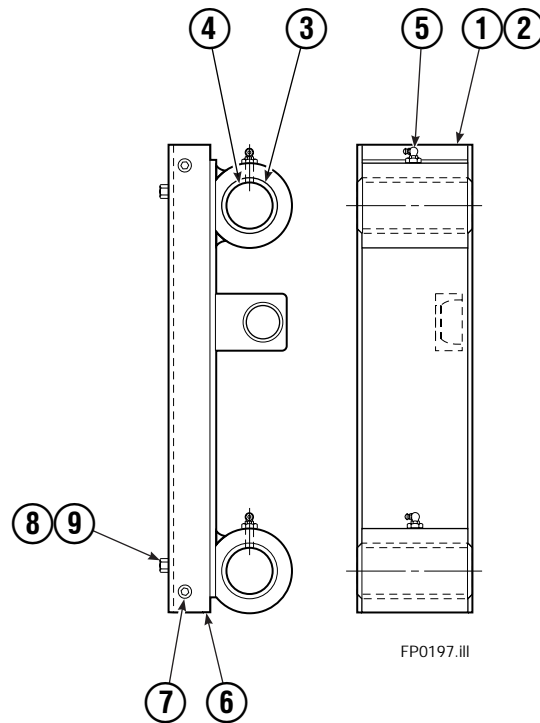


REF	QTY	PART NO.	DESCRIPTION
		686243	Cylinder Assembly
1	1	561012	Nut
■ 2	1	662457	Seal
3	1	564562	Spacer - Head
■ 4	1	2718	O-Ring
5	1	561427	Piston
6	1	561422	Shell
7	1	561422	Rod
8	1	561428	Retainer
■ 9	1	2791	O-Ring
■ 10	1	615134	Back-up Ring
■ 11	1	662449	Seal
12	1	561429	Retaining Ring
13	1	7215	Snap Ring
■ 14	1	626468	Wiper
15	1	---	Spacer - Rod
		561430	Service Kit

■ Included in Service Kit 561430.

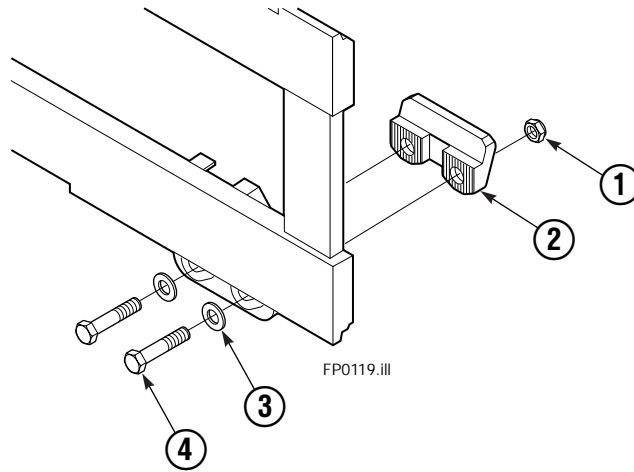
Ref: S-6053, S-6054

# Fork Carrier Group



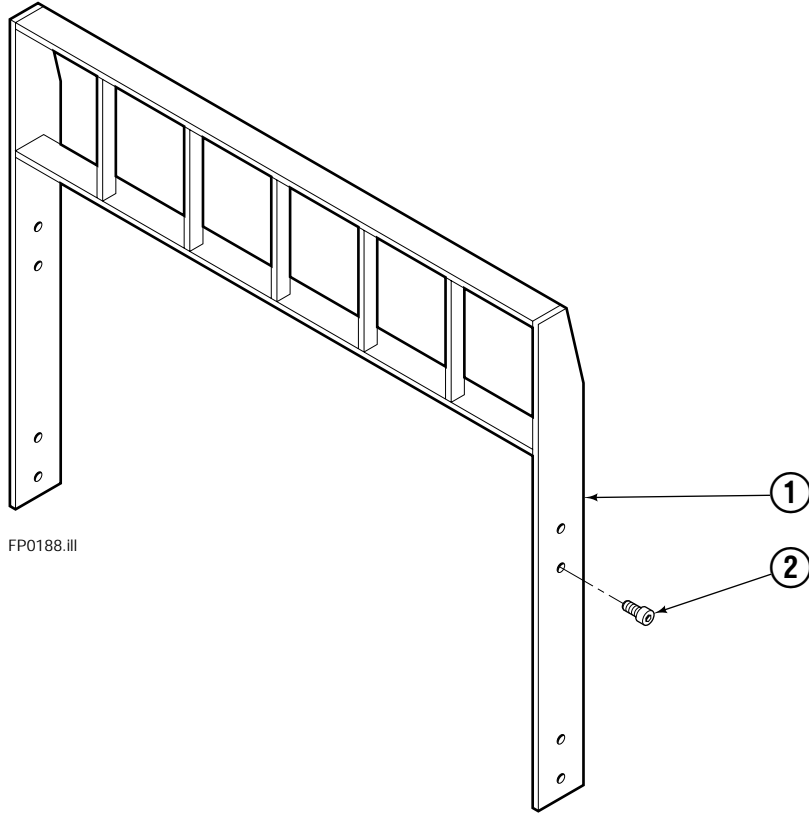
REF	QTY	PART NO.	DESCRIPTION
		394252	Fork Carrier Group
1	1	394582	Arm Carrier, L.H.
2	1	394579	Arm Carrier, R.H.
3	8	7223	Retaining Ring
4	4	828468	Bushing
5	4	828471	Lube Fitting
6	2	390757	Plate, Inner
7	4	4771	Capscrew
8	2	391436	Spacer Bar
9	4	4471	Capscrew

# Mounting Group



120C/150C Class IV			
REF	QTY	PART NO.	DESCRIPTION
		381517	Mounting Group
1	4	553857	Nut
2	2	678034	Lower Hook
3	4	667225	Washer
4	4	638601	Capscrew

# Backrest



FP0188.ill

REF	QTY	PART NO.	DESCRIPTION
		3008331	Backrest Group
1	1	3008906	Backrest
2	8	4771	Capscrew

Reference: S-8604

**Do you have questions you need answered right now?** Call your nearest Cascade Parts Department.

**Cascade Corporation**  
2501 Sheridan Avenue  
Springfield, OH 45505  
Tel: 888-CASCADE (227-2233)  
FAX: 888-329-0234

**Cascade Canada Inc.**  
5570 Timberlea Blvd.  
Mississauga, Ontario  
Canada L4W-4M6  
Tel: 905-629-7777  
FAX: 905-629-7785

**Cascade GmbH**  
D-41199 Monchengladbach  
Klosterhofweg 52  
Germany  
Tel: 21-66-602091  
FAX: 21-66-680947

**Cascade Finland**  
01370 Vantas  
Finland  
Tel: 358-0-836-1925  
FAX: 358-0-836-1935

**Cascade N.V.  
European Headquarters**  
P.O. Box 3009  
1300 El Almere  
Damsluisweg 56  
1332 ED Almere  
The Netherlands  
Tel: 31-36-5492911  
FAX: 31-36-5492964

**Cascade N.V.  
Benelux Sales and Service**  
P.O. Box 3009  
1300 El Almere  
Damsluisweg 56  
1332 ED Almere  
The Netherlands  
Tel: 31-36-5492950  
FAX: 31-36-5492974

**Cascade (UK) Ltd.**  
15, Orgreave Crescent  
Dore House Industrial Estate  
Handsworth  
Sheffield S13 9NQ  
England  
Tel: 742-697524  
FAX: 742-695121

**Cascade Scandinavia  
Hydraulik A.B.**  
Muskötgatan 19, E8-9  
S25466 Helsingborg  
Sweden  
Tel: 42-151135  
FAX: 42-152997

**Cascade Norway**  
Østerliveien 37A  
1153 Oslo  
Norway  
Tel: 47-22-743160  
FAX: 47-22-743157

**Cascade France S.A.R.L.**  
11, Rue Jean Charcot  
Zone Industrielle Sud or  
B.P. 22  
91421 Morangis Cedex  
France  
Tel: 1- 64547501  
FAX: 1-9790584

**Cascade Hispania S.A.**  
Avenida De La Fabregada, 7  
Hospitalet De Llobregat  
Barcelona  
Spain  
Tel: 3-335-5158  
FAX: 3-335-4756

**Cascade Japan Ltd.**  
5-5-41,  
Torikai Kami  
Settsu, Osaka  
Japan, 566  
Tel: 81-726-53-3490  
FAX: 81-726-53-3497

**Cascade Korea**  
Room 508, Pum Yang Bldg.  
750-14, Bang Bac-Dong  
Se-Cho Ku, Seoul  
Korea  
Tel: 2599-7131 ext. 512  
FAX: 2533-8089

**HYCO-Cascade Pty. Ltd.**  
1445 Ipswich Road  
Rocklea,  
Queensland 4107  
Australia  
Tel: 3-274-2722  
FAX: 3-274-3456

**HYCO-Cascade (NZ) Ltd.**  
15 Ra Ora Drive, East Tamaki  
P.O. Box 38-440  
Howick, Auckland  
New Zealand  
Tel: 9-273-9136  
FAX: 9-273-9137

**Cascade (Africa) Pty. Ltd.**  
P.O. Box 625, Isando 1600  
60A Steel Road  
Sparton, Kempton Park  
South Africa  
Tel: 975-9240  
FAX: 394-1147

**Cascade-Xiamen**  
Wanshan No. 1 Workshop  
Huli Road  
Xiamen 361006  
Fujian, PRC  
Tel: 592-562-4600  
FAX: 592-562-4671

**Cascade (Singapore)  
Trading Co.**  
Four Seasons Park  
Autumn Block - Apt. 1802  
12 Cascaden Walk  
Singapore  
Tel: 65-834-1935  
FAX: 65-834-1936

