



Parts Manual

Model Carton Clamp

Serial Number 25D-CCS-33A R2

cascade®
corporation

For Technical Assistance call: 800-227-2233, Fax: 888-329-8207

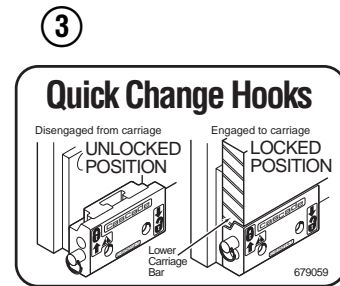
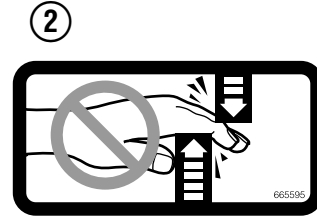
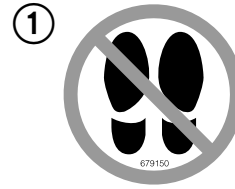
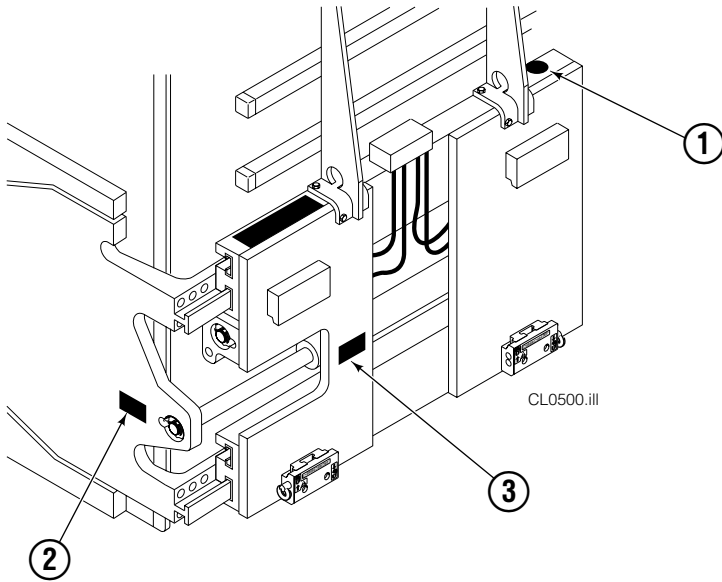
To Order Parts call: 888-227-2233, Fax: 888-329-0234

OR

Write: Cascade Corporation, P.O. Box 20187, Portland, OR 97220

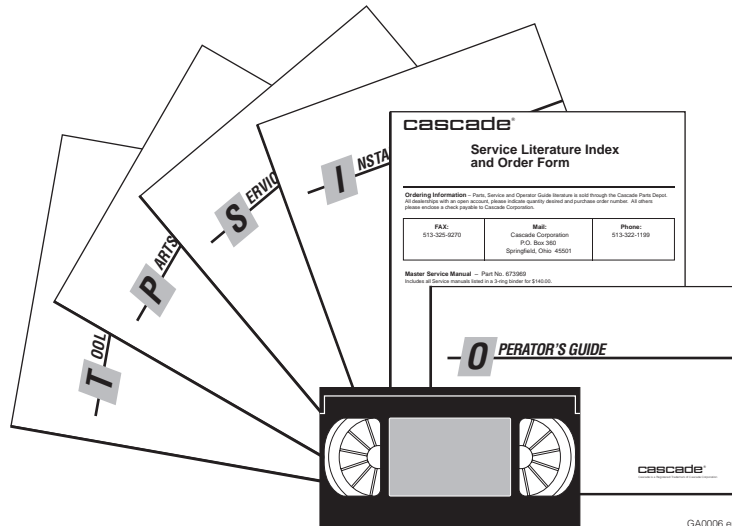
Internet: www.cascorp.com

Safety Decals



REF	QTY	PART NO.	DESCRIPTION
1	1	679150	No Step Decal
2	2	665595	No Hand Hold Decal
3	1	679059	Quick Change Hook Decal

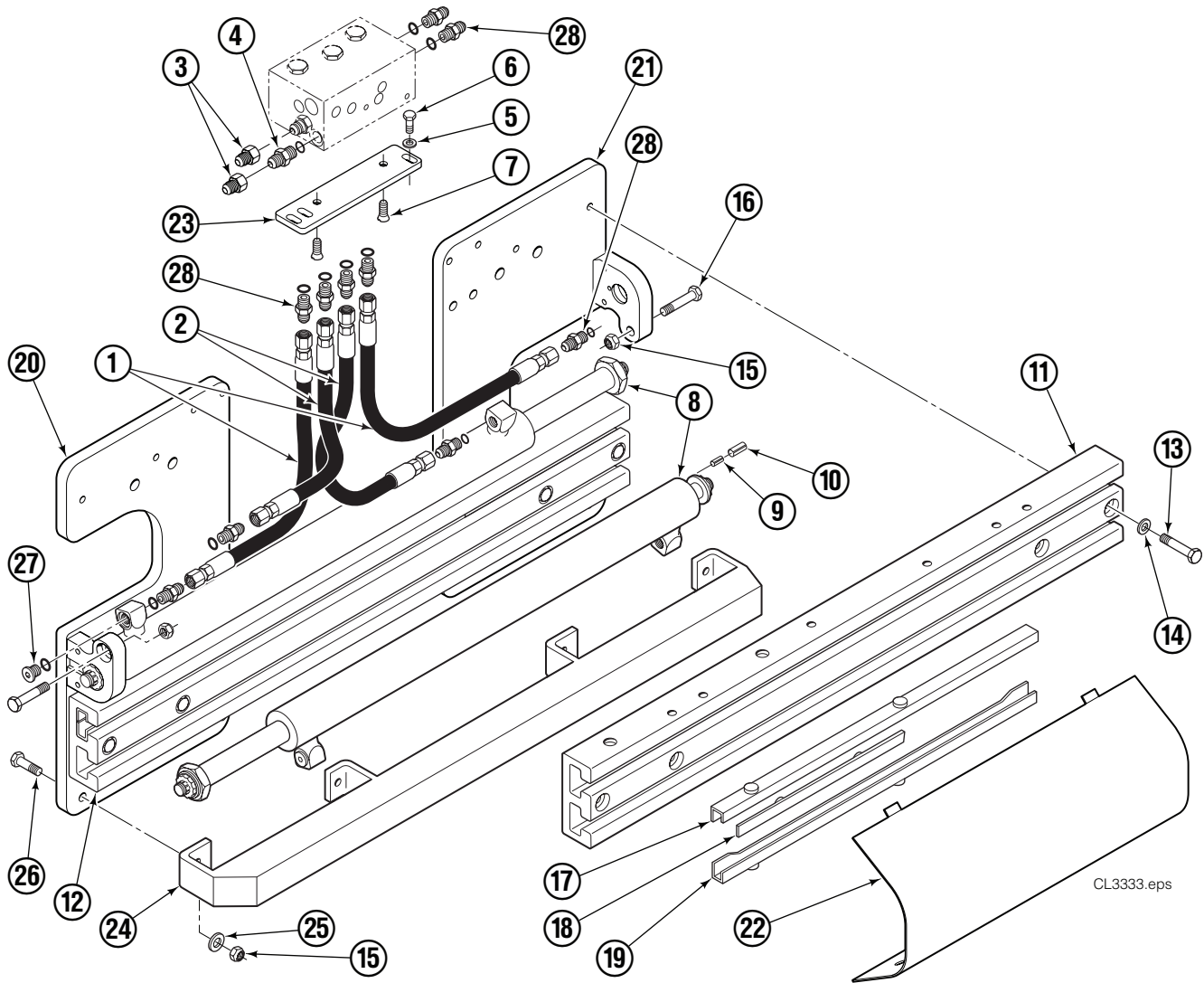
Publications



GA0006.eps

PART NO.	DESCRIPTION
670487	Service Manual
670834	Operators Guide
670488	Installation Instructions
680664	Servicing Cascade Cylinders-VHS
679929	Tool Catalog
673964	Literature Index Order Form

Base Unit Group

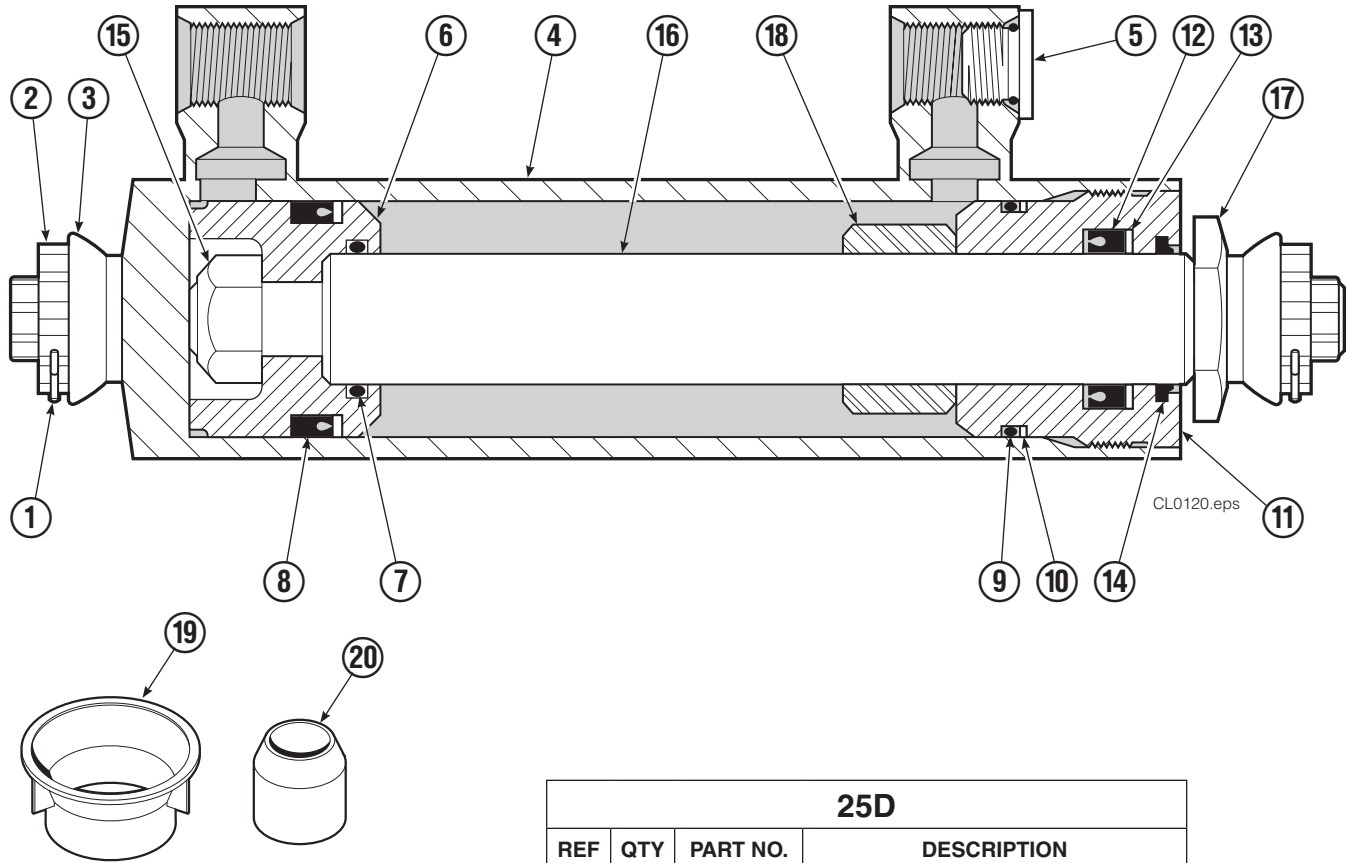


25D							
REF	QTY	PART NO.	DESCRIPTION	REF	QTY	PART NO.	DESCRIPTION
		6056700	Base Unit	15	6	773842	Nut, M12
1	2	207425	Hose, 24.00 in.	16	2	768414	Capscrew, M12 x 65
2	2	675055	Hose, 17.50 in.	17	4	208858	Bearing
3	2	6019053	Fitting, 8-6	18	4	667663	Bearing
4	1	601377	Fitting, 8-8	19	4	208857	Bearing
5	2	209021	Washer, M10	20	1	6056535	Mounting Plate – RH
6	2	684594	Capscrew, M10 x 20	21	1	6056533	Mounting Plate – LH
7	2	766646	Capscrew, M10 x 20	22	1	6055842	Bumper
8	2	671570	Cylinder ♦	23	1	669957	Adaptor Plate
9	2	768953	Roll Pin – Inner	24	1	671545	Bumper – Lower
10	2	769009	Roll Pin – Outer	25	4	6205	Washer
11	1	6056594	Frame – Upper	26	4	768556	Capscrew, M12 x 45
12	1	6056651	Frame – Lower	27	2	602580	Fitting, 8
13	8	6405045	Capscrew, M12 x 70	28	10	611288	Fitting, 6-8
14	8	667910	Washer				

♦ See Cylinder page for parts breakdown.

Reference: SK-8753.

Cylinder Assembly



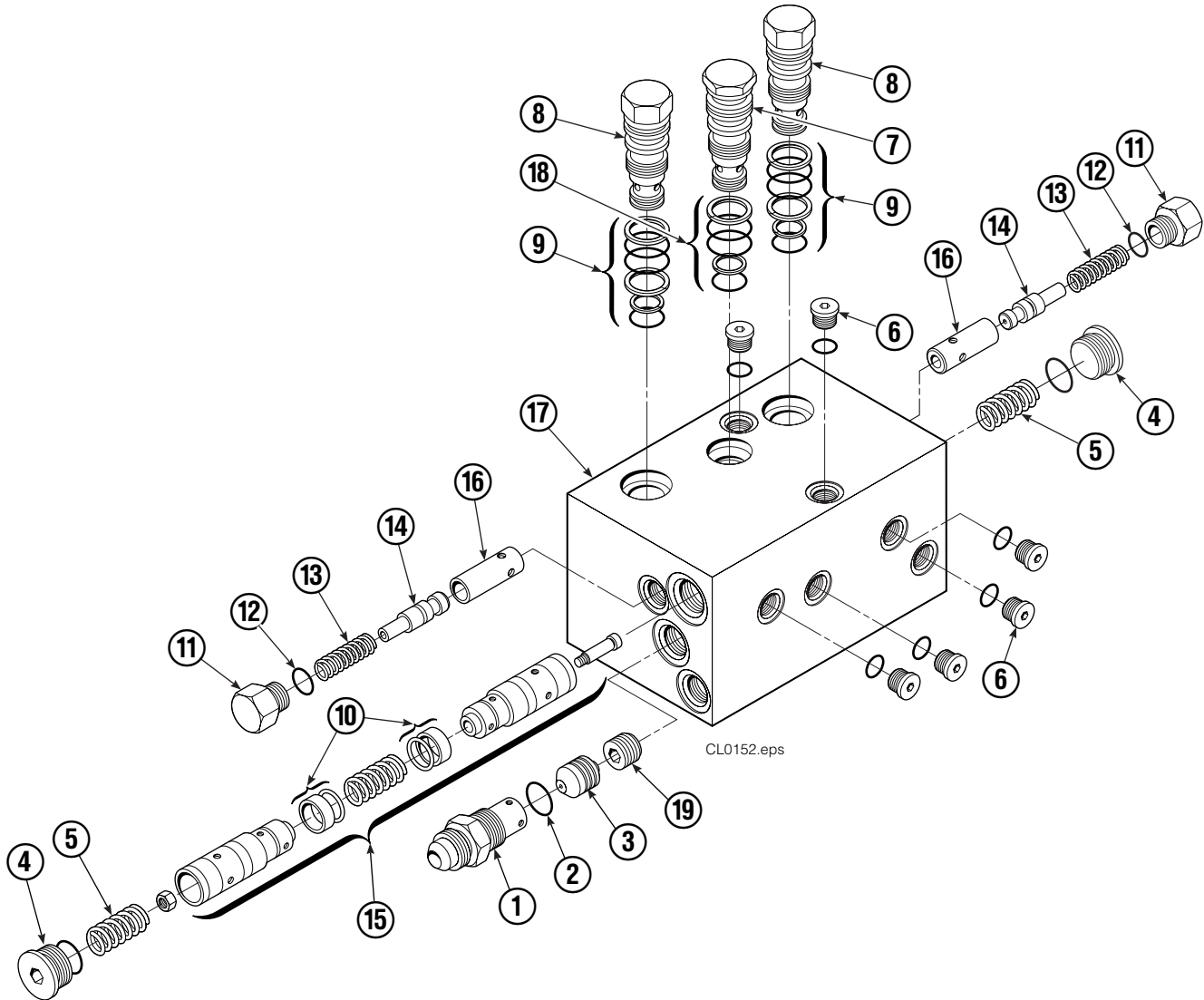
25D			
REF	QTY	PART NO.	DESCRIPTION
		671570	Cylinder Assembly
1	2	6510	■ Cotter Pin
2	2	667624	■ Nut Retainer
3	2	667625	■ Nut
4	1	671572	Shell
5	1	602580	Fitting
6	1	558200	Piston
7	1	2716	◆ O-Ring
8	1	662452	◆ Seal
9	1	2785	◆ O-Ring
10	1	615128	◆ Back-Up Ring
11	1	563906	Retainer
12	1	662448	◆ Seal
13	1	638243	◆ Nylon Ring
14	1	636853	◆ Wiper
15	1	667623	Nut
16	1	671571	Rod
17	1	667626	Washer
18	1	—	Spacer
19	1	671047	◆ Seal Loader, Piston
20	1	671051	◆ Seal Loader, Retainer
		668021	Service Kit

■ Included in Nut Service Kit 668926.

◆ Included in Service Kit 668021.

Reference: S-7605, S-7658.

Check Valve Assembly



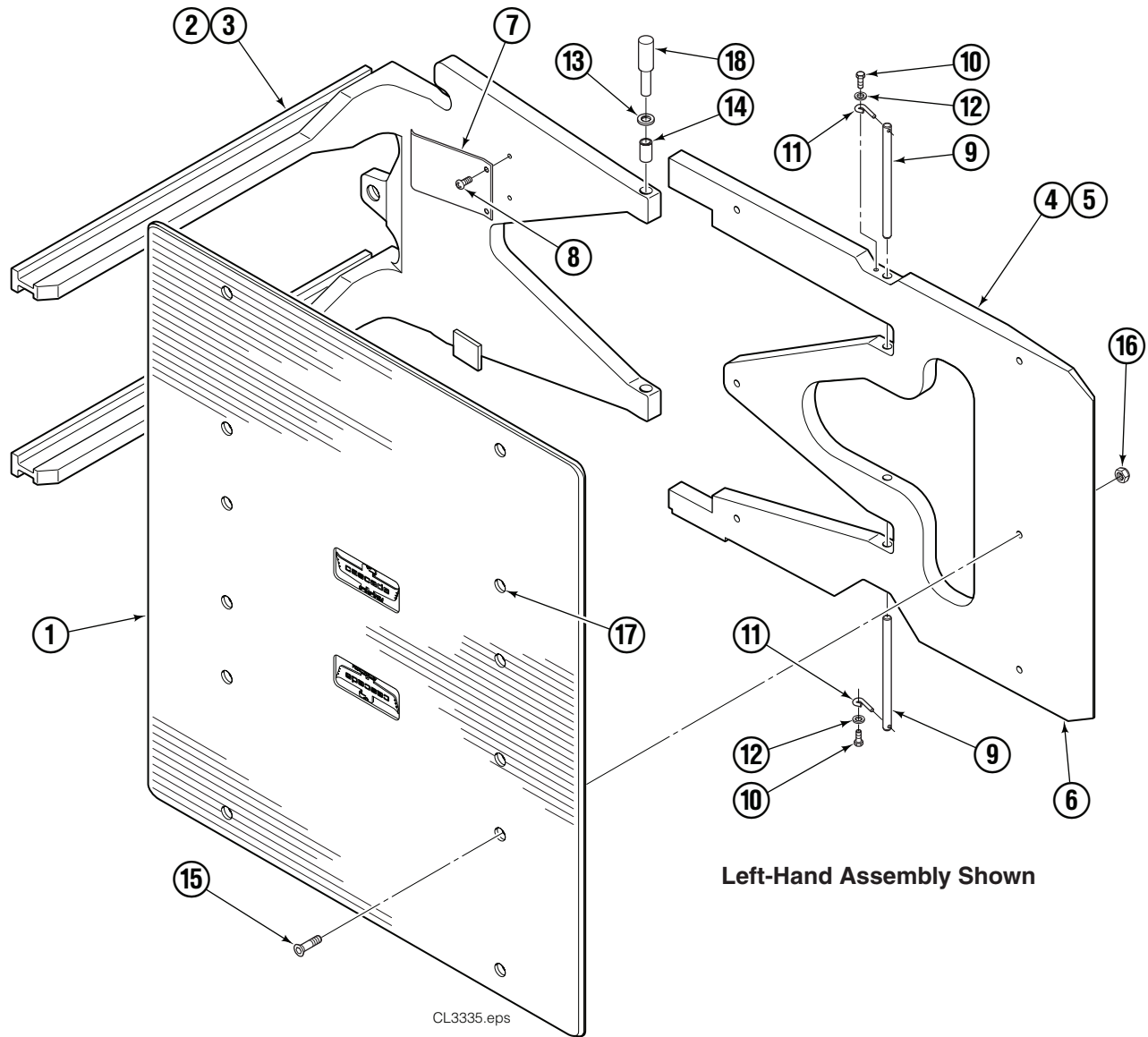
CL0152.eps

REF	QTY	PART NO.	DESCRIPTION	REF	QTY	PART NO.	DESCRIPTION
		669762	Check Valve - Flow Divider	11	2	667494	Fitting
1	1	667490	Special Fitting	12	2	2840	◆ O-Ring
2	1	2841	◆ O-Ring	13	2	673098	Spring
3	1	667471	Spool	14	2	667492	Poppet
4	2	609453	Fitting, 10	15	1	673089	Spool Assembly
5	2	667487	Spring	16	2	667491	Sleeve
6	6	604510	Fitting, 6	17	1	669763	Valve Body
7	1	678270	Check Valve – VPO	18	1	661347	◆ Service Kit
8	2	6038929	Check Valve – PO	19	1	676343	Regeneration Elimination Plug ●
9	2	667516	◆ Service Kit			667513	Valve Service Kit
10	1	679846	Low Flow Spool Kit				

◆ Included in Valve Service Kit 667513.
Reference: SK-5302.

● For eliminating regeneration circuit only.
See Technical Bulletin 121.

Arms and Pads



Left-Hand Assembly Shown

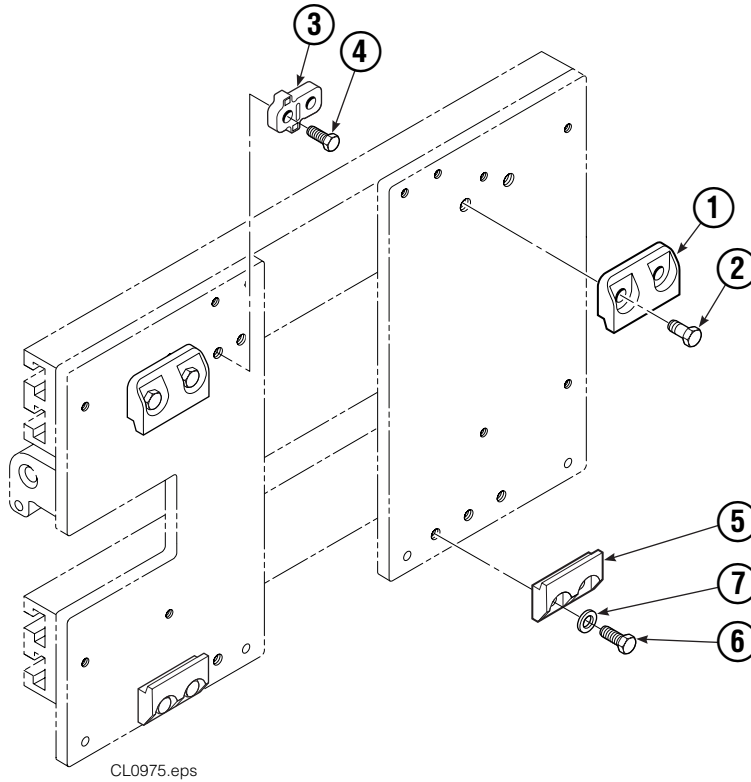
15D/25D

REF	QTY	PART NO.	DESCRIPTION	REF	QTY	PART NO.	DESCRIPTION
		6057138	Stabilizer Group ◆	9	4	6057546	Pin
		6057713	Common Parts ●	10	4	787372	Capscrew, M8 x 20
1	2	6057018	Contact Pad	11	4	6020429	Eye Pin
2	1	6057143	Arm – LH	12	4	787398	Washer, M8
3	1	6057142	Arm – RH	13	10	675620	Washer, M10
4	1	6057016	Stabilizer – LH	14	8	200590	Bushing
5	1	6057017	Stabilizer – RH	15	12	768706	Capscrew, M12 x 35
6	2	208860	Stabilizer Wear Tile	16	12	773842	Nut, M12
7	2	210154	Spring	17	■	676841	Contact Pad Repair Kit
8	4	203405	Capscrew, M10 x 16	18	1	675626	Tool – Bushing Driver

- ◆ Includes items 4-6.
- Includes items 7-16.

- Repairs one hole.
- Reference: SK-8753.

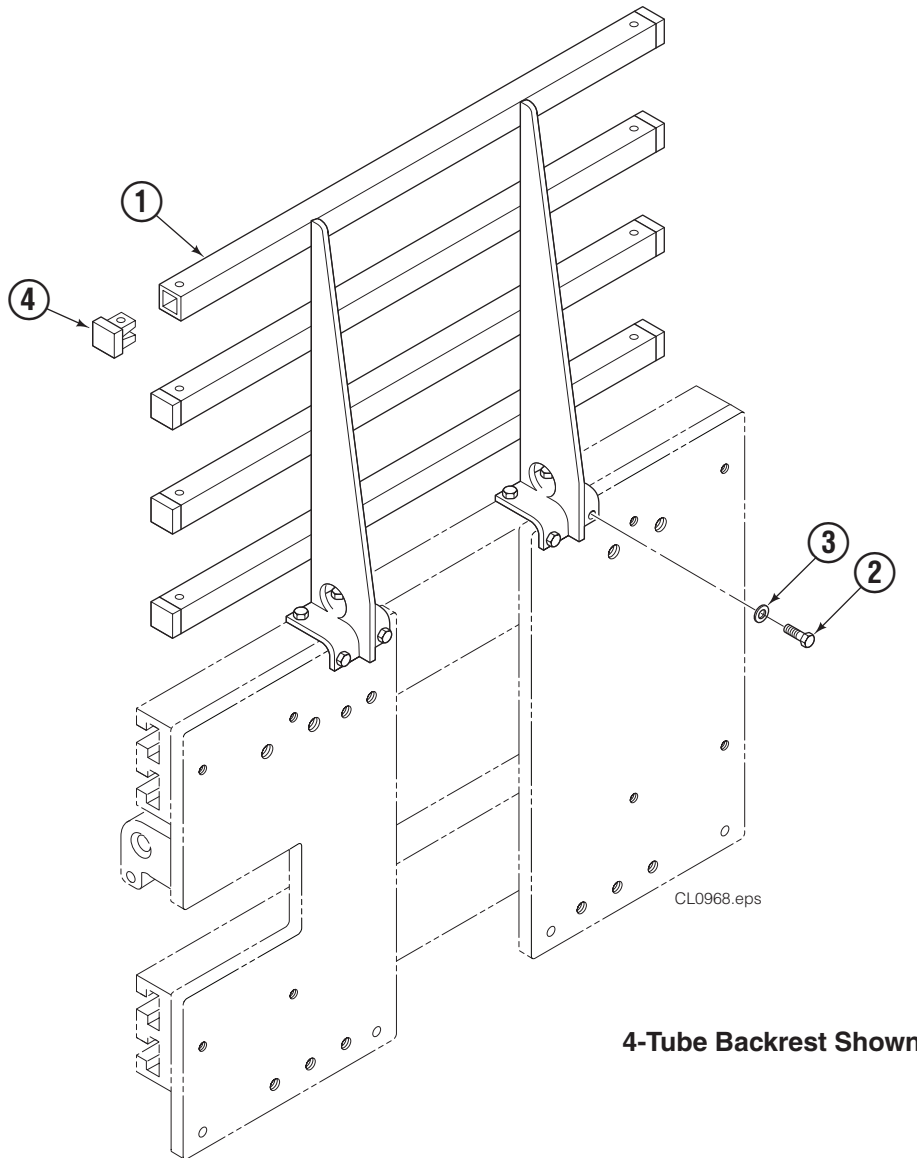
Bolt-On Mounting Group



Class II			
REF	QTY	PART NO.	DESCRIPTION
		211162	Upper Mounting Group ◆
		211173	Lower Mounting Group ●
1	2	210491	Upper Hook
2	4	768577	Capscrew, M20 x 35
3	1	212999	Center Key
4	2	211129	Capscrew, M16 x 35
5	2	675968	Lower Hook
6	4	211128	Capscrew, M16 x 30
7	4	667225	Washer

- ◆ Includes items 1–4.
- Includes items 5–7.

Backrest Group



15D/25D			
REF	QTY	PART NO.	DESCRIPTION
		6056676	Backrest Group
1	1	6056588	Backrest
2	8	767810	Capscrew, M12 x 25
3	8	667910	Washer
4	8	674356	Tube End

Do you have questions you need answered right now? Call your nearest Cascade Parts Department. Visit us online at www.cascorp.com

**Cascade Corporation
U.S. Headquarters**
2201 NE 201st
Fairview, OR 97024-9718
Tel: 800-CASCADE (227-2233)
FAX: 888-329-8207

Cascade Canada Inc.
5570 Timberlea Blvd.
Mississauga, Ontario
Canada L4W-4M6
Tel: 905-629-7777
FAX: 905-629-7785

Cascade GmbH
Niederwippekühl 1
58579 Schalksmühle
Germany
Tel: 02355-50900
FAX: 02355-509020

Cascade Finland
A. Petreliuksenkatu 3
01370 Vantaa
Finland
Tel: 09-8361925
FAX: 09-8361935

**Cascade N.V.
Benelux Sales and Service**
Damsluisweg 56
PO Box 3009
1300 El Almere
The Netherlands
Tel: 036-5492950
FAX: 036-5492974

Cascade (UK) Ltd.
Unit 4, 12 O'Clock Court
Attercliffe Road
Sheffield, S4 7WW
England
Tel: 0870-850-8756
FAX: 0870-850-8757

**Sales Scotland
Macade Systems Ltd.**
18 Melford Road
Righead Ind. Estate
Bellshill ML4 3LR
Scotland
Tel: 01698-845777
FAX: 01698-845888

Cascade (Africa) Pty. Ltd.
PO Box 625, Isando 1600
60A Steel Road
Sparton, Kempton Park
South Africa
Tel: 27-11-975-9240
FAX: 27-11-394-1147

Cascade Scandinavia AB
Hammarvägen 10
PO Box 124
S-56723 Vaggeryd
Sweden
Tel: 039-336950
FAX: 039-336959

**Cascade France
S.A.R.L. MHP**
1D Rue De Charaintru BP 18,
91360 Epinay-Sur-Orge
France
Tel: 01-6454-7500
FAX: 01-6454-7501

Cascade Hispania S.A.
Carrer 5, Sector C
Zona Franca Duanera
Poligono de la Zona Franca
08040 Barcelona, Spain
Tel: 93-264-07-30
FAX: 93-264-07-31

Cascade Italia S.R.L.
Via Dell'Artigianato 1
37050 Vago di Lavagno (VR)
Italy
Tel: 39-045-8989111
FAX: 39-045-8989160

Movimenta Lda.
Parque Industrial
Vale do Alecrim, Lote 108
2950-403 Palmela
Portugal
Tel: 351-212387340
FAX: 351-212387349

**Sales Switzerland
Fahrzeugbedarf**
8810, Horgen
Switzerland
Tel: 01-7279797
FAX: 01-7279798

Sales Poland
Targowa 35/61
03-728 Warszawa
Tel: 022-619 00 49
FAX: 022-619 00 49
Mobile Tel: 0501-27 29 55

Sales Russia
EMCG Material Handling
Equipment
Moscow
Tel: 095-795-2400
FAX: 095-795-2475
Email: emcg@emcg.ru

Cascade Japan Ltd.
5-5-41,
Torikai Kami
Settsu, Osaka
Japan, 566
Tel: 81-726-53-3490
FAX: 81-726-53-3497

Cascade Korea
121B 9L Namdong Ind.
Complex, 691-8 Gojan-Dong
Namdong-Ku
Inchon, 405-310 Korea
Tel: 82-32-821-2051
FAX: 82-32-821-2055

Cascade Australia
1445 Ipswich Road
Rocklea, QLD 4107
Australia
Tel: 1-800-227-223
FAX: 617-3373-7333

Cascade New Zealand
15 Ra Ora Drive
East Tamaki, Auckland
New Zealand
Tel: 64-9-273-9136
FAX: 64-9-273-9137

Cascade-Xiamen
No. 668 Yangguang Rd.
Xinyang Industrial Zone
Haicang, Xiamen City
Fujian Province
P.R. China 361026
Tel: 86-592-651-2500
FAX: 86-592-651-2571

**Sunstream Industries
Pte Ltd.**
No. 3 Tuas Link 1
2263
Singapore
Tel: 65-6863-3488
FAX: 65-6863-1368

**Cascade do Brasil
Distribuidora de Garras
e Garfos LTDA**
Av. General Valdomiro
de Lima 43
Jabaquara - Sao Paulo - S.P.
Brasil CEP 04344-070
Tel: 55-11-5016-2484
Fax: 55-11-5013-2809

